

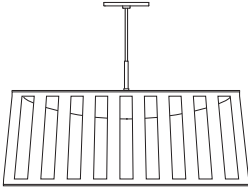
# SOLIS DRUM

## 120/240V ASSEMBLY & INSTALLATION INSTRUCTIONS

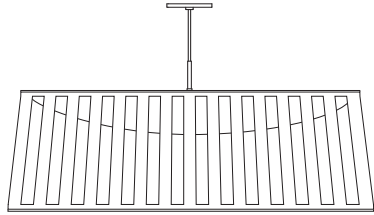
INFO@PABLODESIGNS.COM  
888 MARIN STREET  
SAN FRANCISCO, CA  
94124

PABLODESIGNS.COM

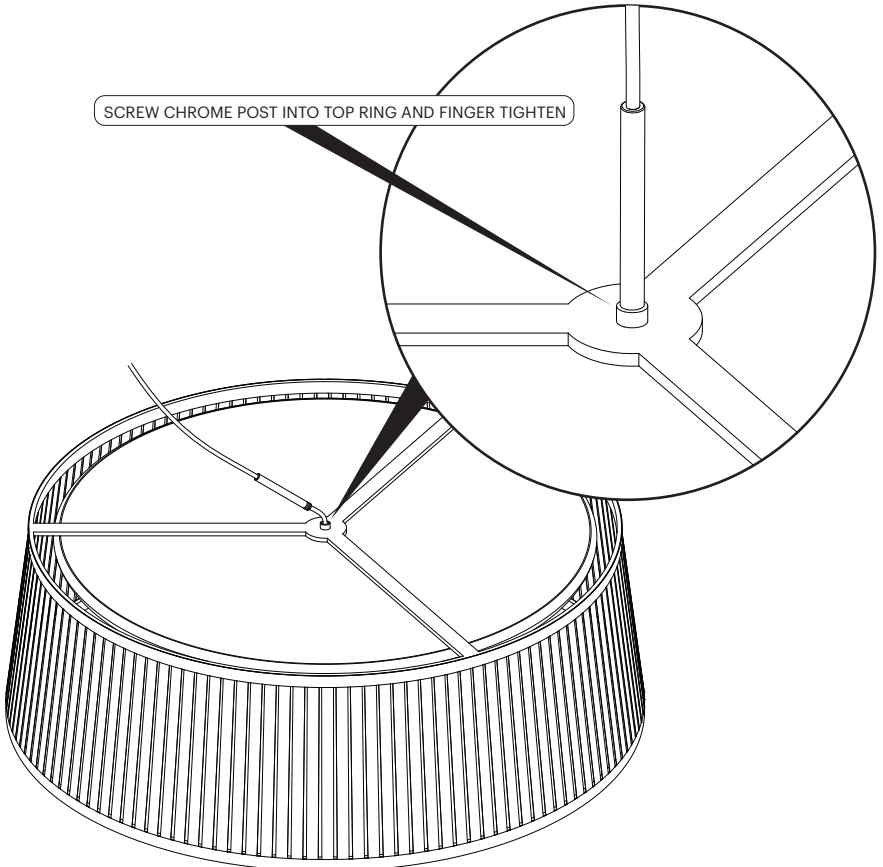
# SOLIS DRUM



24" SOLIS DRUM



36" SOLIS DRUM



# SOLIS DRUM

1. ROUTE CORD THROUGH COVER, CEILING MOUNT AND STRAIN RELIEF
2. SET STRAIN RELIEF TO DESIRED HEIGHT AND CUT CORD
3. CONNECT TO BUILDING WIRING USING INCLUDED CORD NUTS
4. SCREW CEILING MOUNT TO JBOX OR CEILING
5. SLIDE COVER UP TO CEILING, MAGNETS ON COVER WILL SNAP TO THE CEILING MOUNT

**NOTE: BEFORE CUTTING, WRAP CORD WITH ELECTRICAL TAPE TO PREVENT THE FABRIC SLEEVE FROM FRAYING**

**BULB TYPE**  
HIGH POWERED LED ARRAY

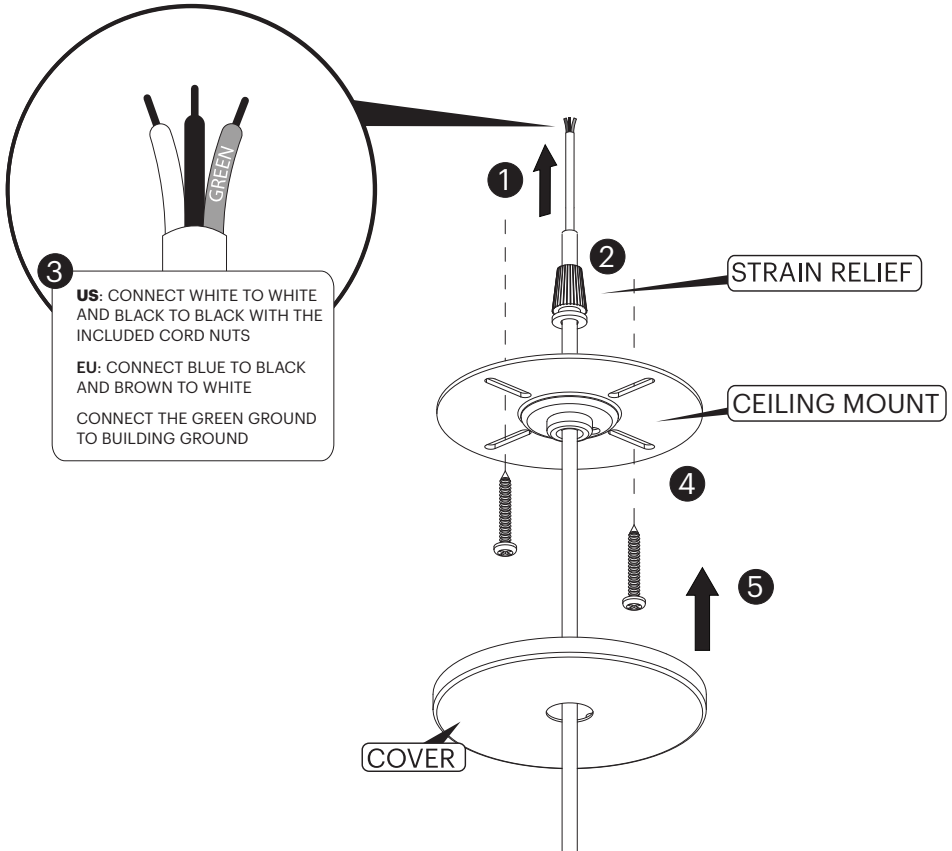
**LENGTH OF CORD SUPPLIED**  
20FT (610CM)

**CARE INSTRUCTIONS**  
WIPE CLEAN WITH A SOFT DAMP CLOTH.  
AVOID AMMONIA-BASED CLEANERS.

FLUSH MOUNTED OPTION AVAILABLE  
UPON REQUEST

**IMPORTANT: WE RECOMMEND FIXTURE  
BE INSTALLED BY AN ELECTRICIAN**

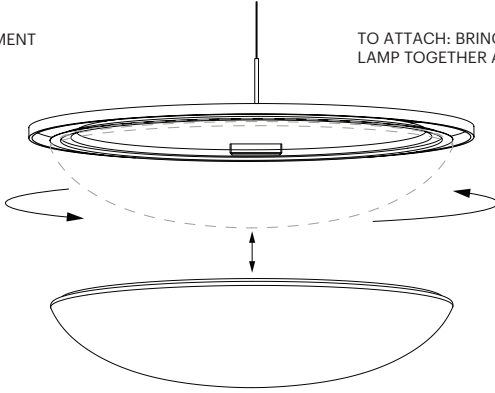
**FULL RANGE LIGHT CONTROL VIA TRIAC 120V  
DIMMER (US) OR ELV DIMMER (EU)**



# Pablo<sup>®</sup> SOLIS DRUM

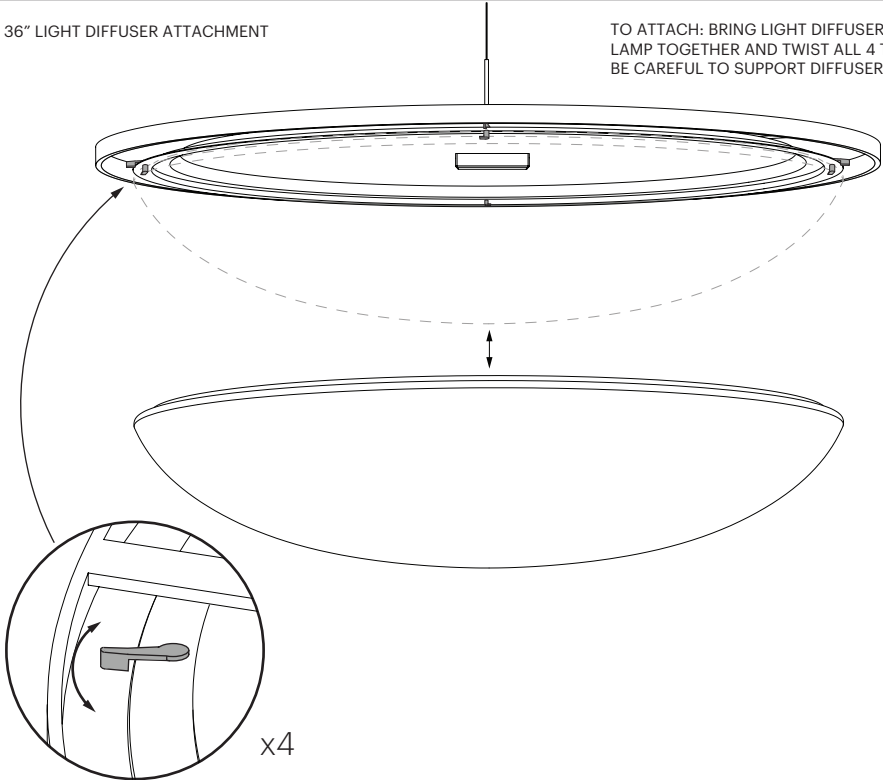
## 24" LIGHT DIFFUSER ATTACHMENT

TO ATTACH: BRING LIGHT DIFFUSER AND LAMP TOGETHER AND TWIST CLOCKWISE.



## 36" LIGHT DIFFUSER ATTACHMENT

TO ATTACH: BRING LIGHT DIFFUSER AND LAMP TOGETHER AND TWIST ALL 4 TABS. BE CAREFUL TO SUPPORT DIFFUSER.



**IMPORTANT: WE RECOMMEND FIXTURE  
BE INSTALLED BY AN ELECTRICIAN**

**BULB TYPE**  
HIGH POWERED LED ARRAY

**CARE INSTRUCTIONS**  
WIPE CLEAN WITH A SOFT DAMP CLOTH.  
AVOID AMMONIA-BASED CLEANERS.