







### Component List

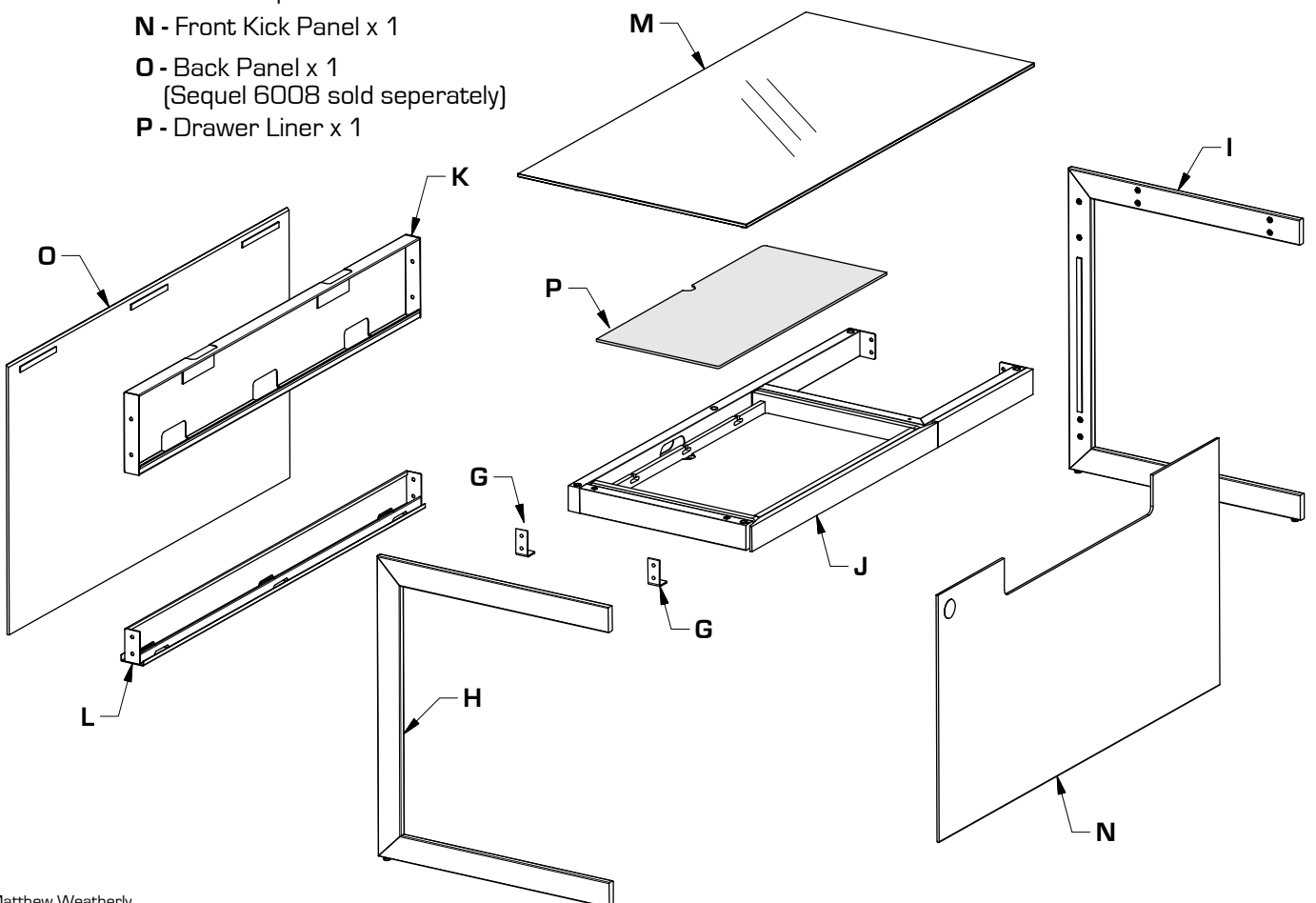
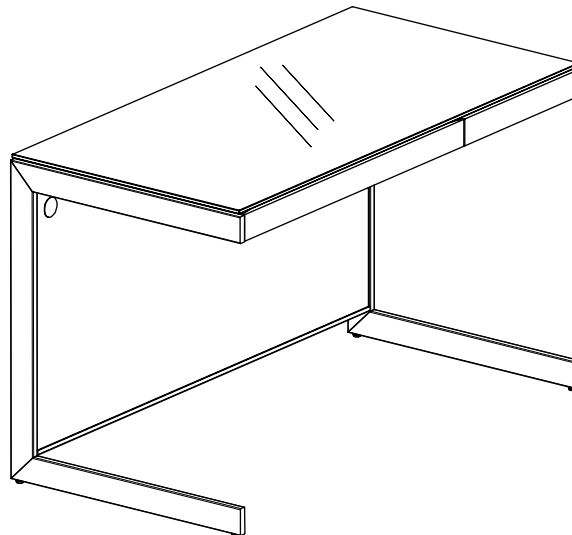
-  **A** - 4mm Hex Wrench
-  **B** - 1/4-20 x 12 mm Flat Head Machine Screw x 6
-  **C** - Leveler Glide x 4
-  **D** - 1/4-20 x 12 mm Machine Screw x 12
-  **E** - 1/4-20 x 61 mm Machine Screw x 5
-  **F** - Adhesive Magnet x 4
- G** - Leg Brackets x 2
- H** - Left Leg x 1
- I** - Right Leg x 1
- J** - Drawer Assembly x 1
- K** - Upper Horizontal Beam x 1
- L** - Lower Horizontal Beam x 1
- M** - Glass Top x 1
- N** - Front Kick Panel x 1
- O** - Back Panel x 1 (Sequel 6008 sold separately)
- P** - Drawer Liner x 1

Sequel™ is engineered for easy assembly. Carefully follow this procedure to prevent any damage.

### Placement and Maintenance

Sequel™ Home Office Furniture is designed for indoor use on level floors. Clean glass with glass cleaner, and steel parts and wood veneer with a moist cloth.

**CAUTION: Do not use power tools for assembly of this product.**



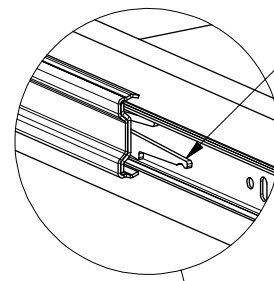
### Step 1

#### Choose Drawer Position - Left or Right

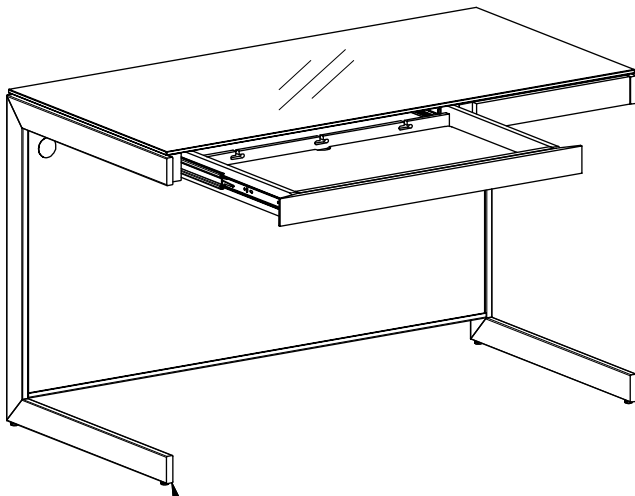
Sequel 6003 Compact Desk features a Left or Right Drawer position.

For Left Drawer Position, install **Leg Brackets (G)** onto **Left Leg (H)**.

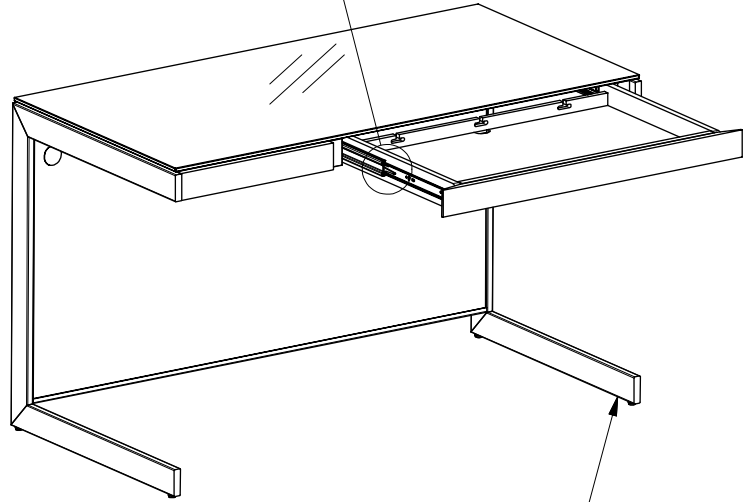
For Right Drawer Position, install **Leg Brackets (G)** onto **Right Leg (H)**.



**To Remove Drawer**  
Open Drawer fully and press levers, 1 up and 1 down, on both sides of Drawer, and pull Drawer out.



Left Drawer Position  
Install **Leg Brackets (G)** onto **Left Leg (H)**

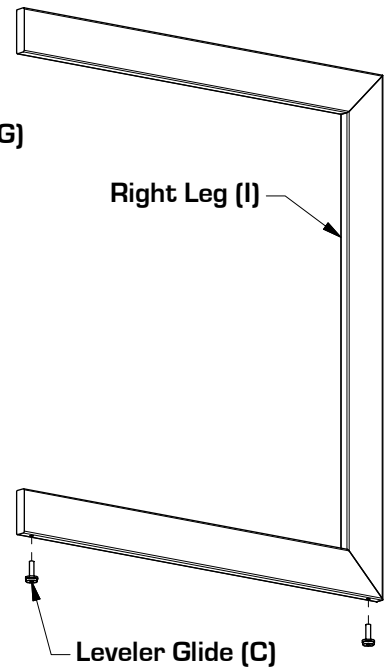
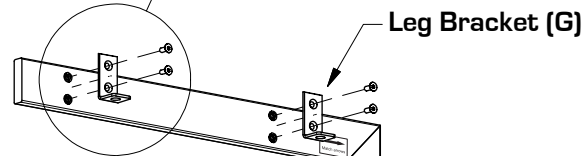
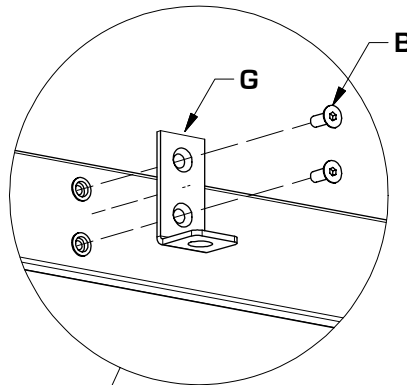


Right Drawer Position  
Install **Leg Brackets (G)** onto **Right Leg (I)**

### Step 2

#### Attach Leg Brackets to Leg

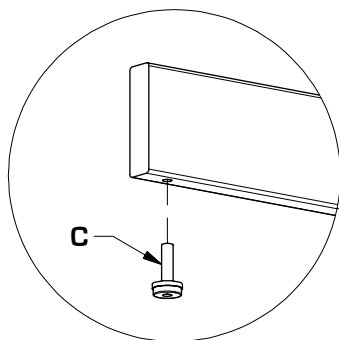
Identify Left and Right Legs. Attach **Leg Brackets (G)** to Left or Right Legs depending on Drawer Position. Attach **Leg Brackets (G)** using **Screws (B)** and tighten with **Hex Wrench (A)**.



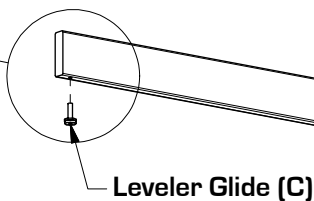
### Step 3

#### Install Leveler Glides

Install **Leveler Glides (C)** into the bottom of **Left Leg (H)** and **Right Leg (I)**.



Foam Strip Faces Inside

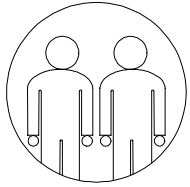


#### Step 4

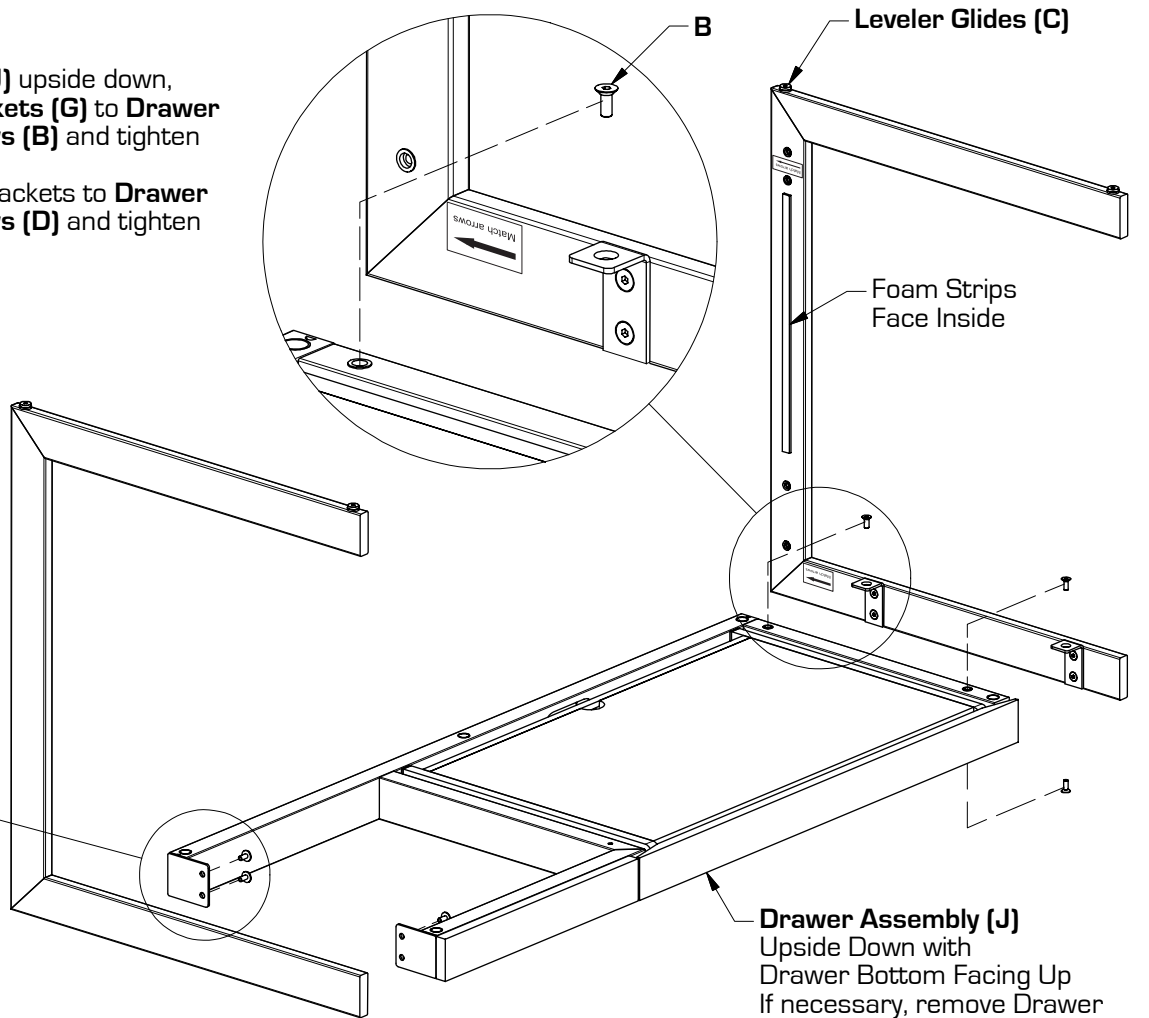
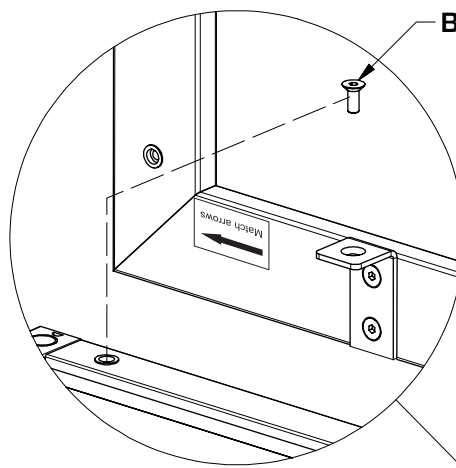
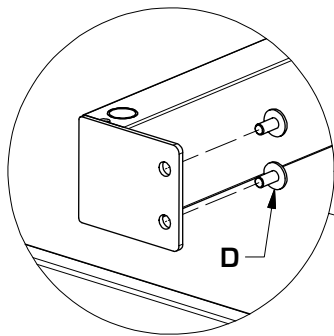
##### Attach Legs

With **Drawer Assembly (J)** upside down, Attach Leg with **Leg Brackets (G)** to **Drawer Assembly (J)** using **Screws (B)** and tighten with **Hex Wrench (A)**.

Attach Leg without Leg Brackets to **Drawer Assembly (J)** using **Screws (D)** and tighten with **Hex Wrench (A)**.



Recommended  
2-person Step

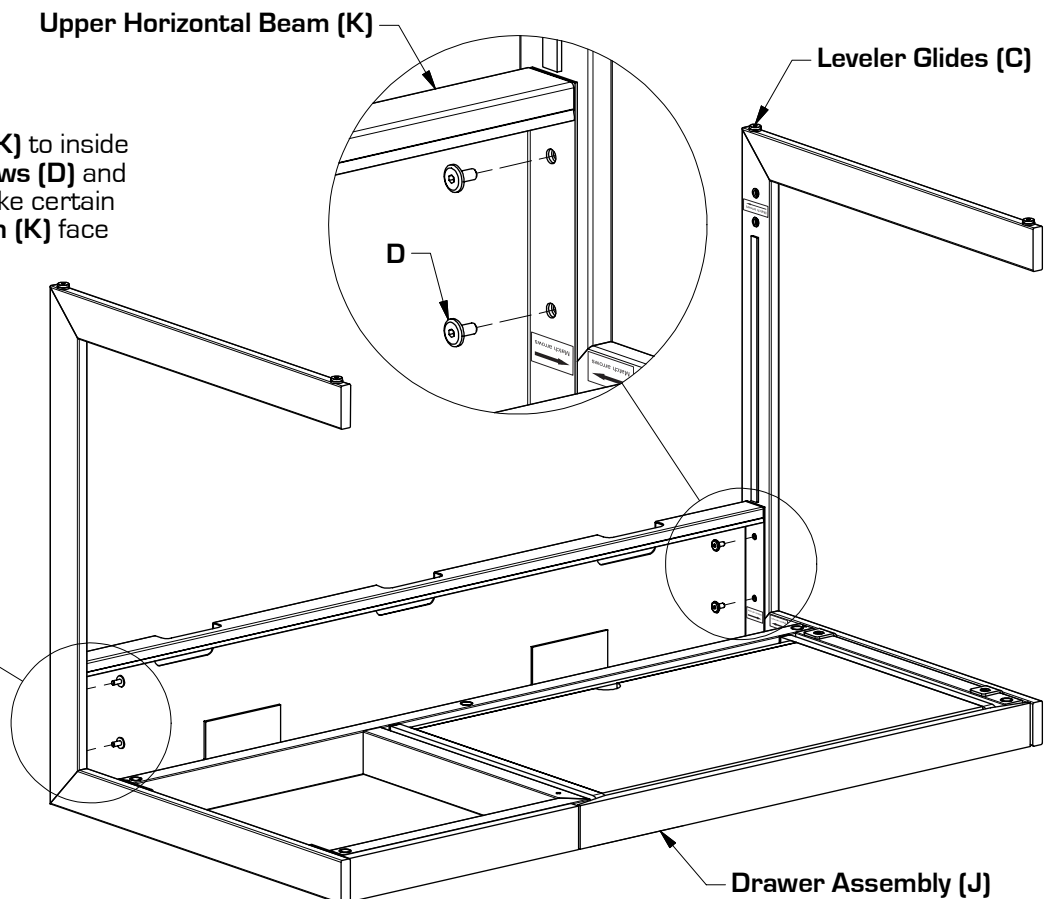
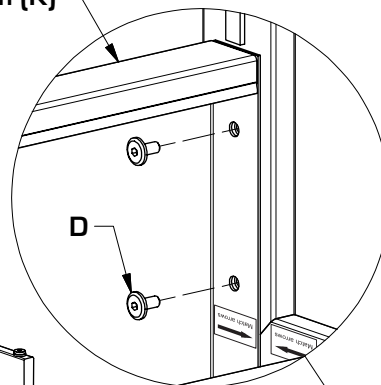
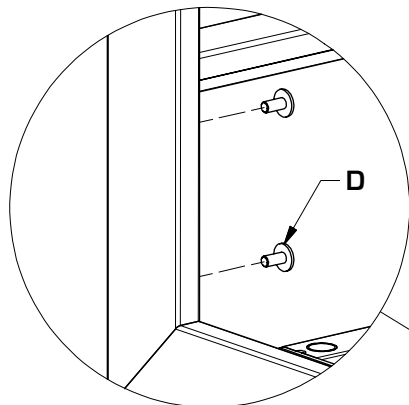


**Drawer Assembly (J)**  
Upside Down with  
Drawer Bottom Facing Up  
If necessary, remove Drawer  
and flip over for correct position  
See detail in **Step 1** for Drawer  
removal.

#### Step 5

##### Attach Upper Horizontal Beam

Attach **Upper Horizontal Beam (K)** to inside of Left and Right Legs using **Screws (D)** and tighten with **Hex Wrench (A)**. Make certain 3 slots in **Upper Horizontal Beam (K)** face toward **Leveler Glides (C)**.

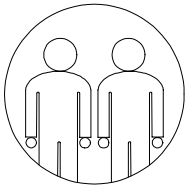
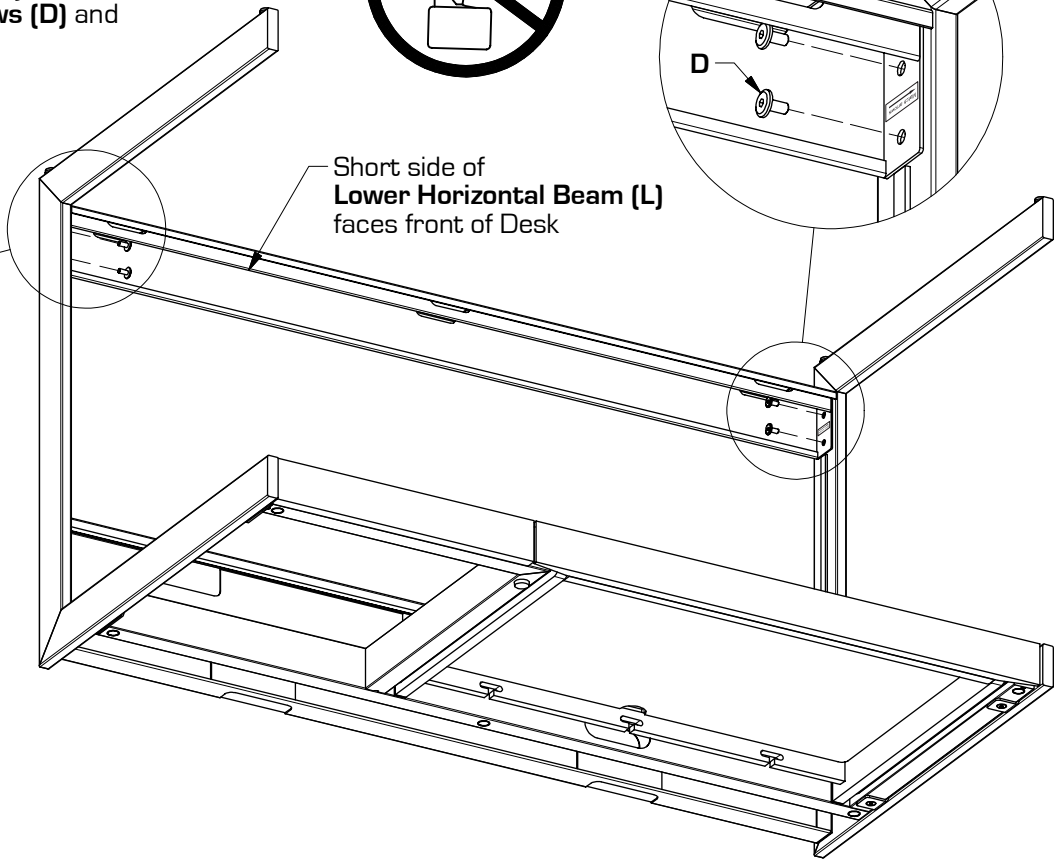
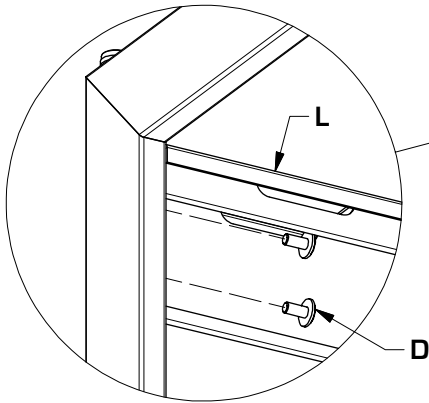
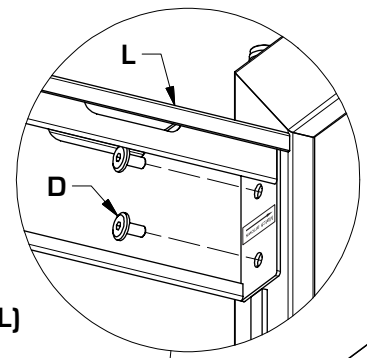


### Step 6

#### Attach Lower Horizontal Beam

Attach **Lower Horizontal Beam (L)** to inside of Left and Right Leg using **Screws (D)** and tighten with **Hex Wrench (A)**.

Turn unit over.

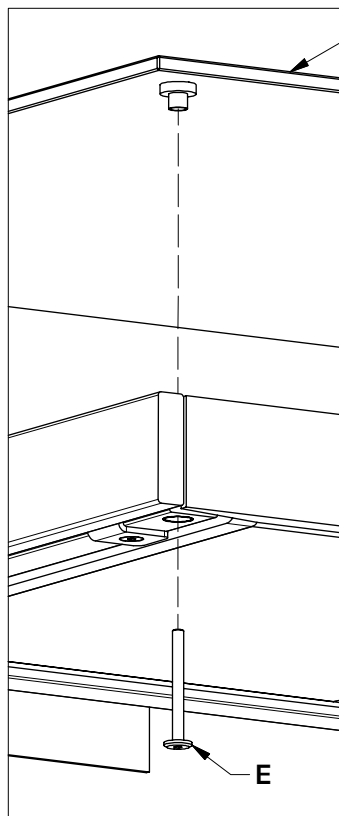


Recommended  
2-person Step

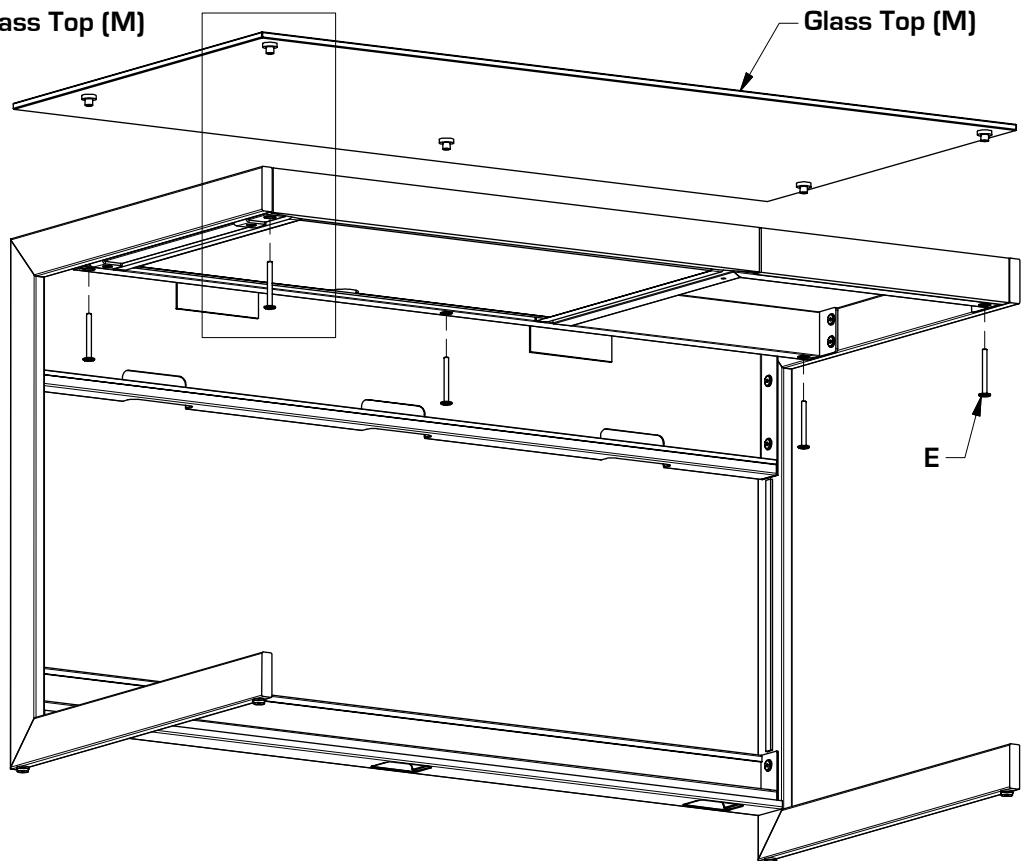
### Step 7

#### Attach Glass Top

With the help of another person, gently lower **Glass Top (M)** onto **Drawer Assembly (J)**. Fasten **Glass Top (M)** using **Screws (E)** and tighten with **Hex Wrench (A)**. **DO NOT OVERTIGHTEN!**



Glass Top (M)



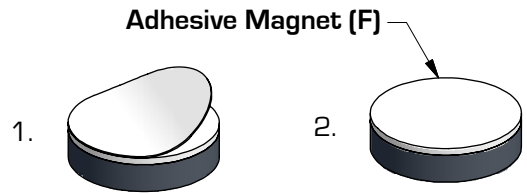
Glass Top (M)

E

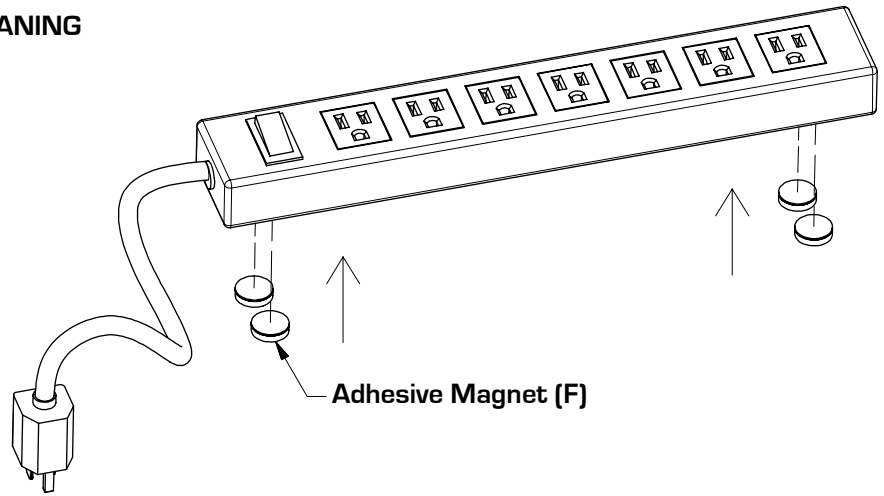
**Step 8 (optional)**

**Attach Magnets to AC power strip/surge protector**  
Remove **Adhesive Magnets (F)** from the **Upper Horizontal Beam (K)**.

Peel film from side of the **Adhesive Magnets (F)** and attach to clean, dry back side of AC power strip (not included). Cleaning of power strip surface with rubbing alcohol will ensure best adhesive bond.



**CAUTION: UNPLUG POWER STRIP FROM POWER SOURCE BEFORE CLEANING**

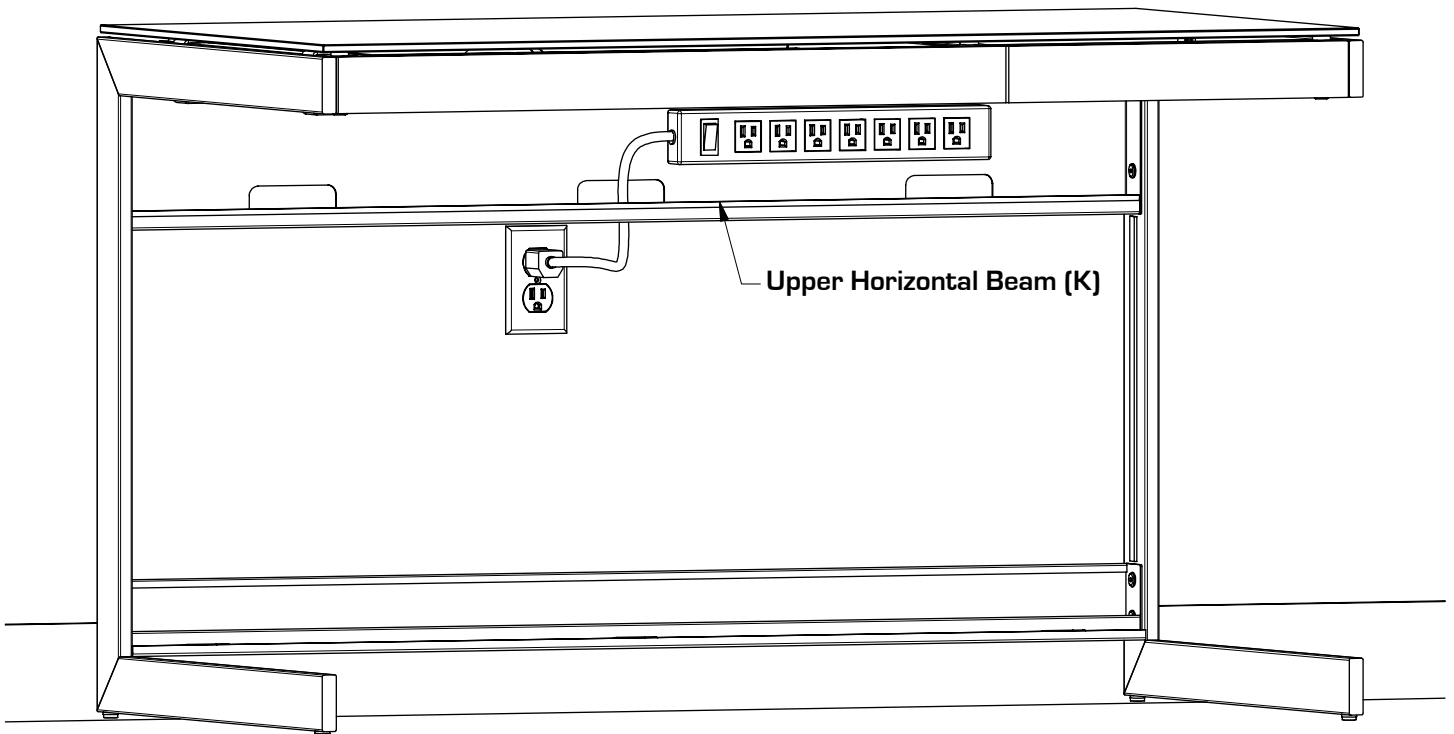


**Step 9 (optional)**

**Attach Power Strip / Surge Protector**

Attach AC power strip / surge protector to inside of **Upper Horizontal Beam (K)** as shown in illustration below.

Use the slot holes provided to run all wires to and from the desk. Keep all wires inside **Upper Horizontal Beam (K)** to allow proper attachment of **Front Kick Panel (N)** and/or optional **Back Panel (O)**.

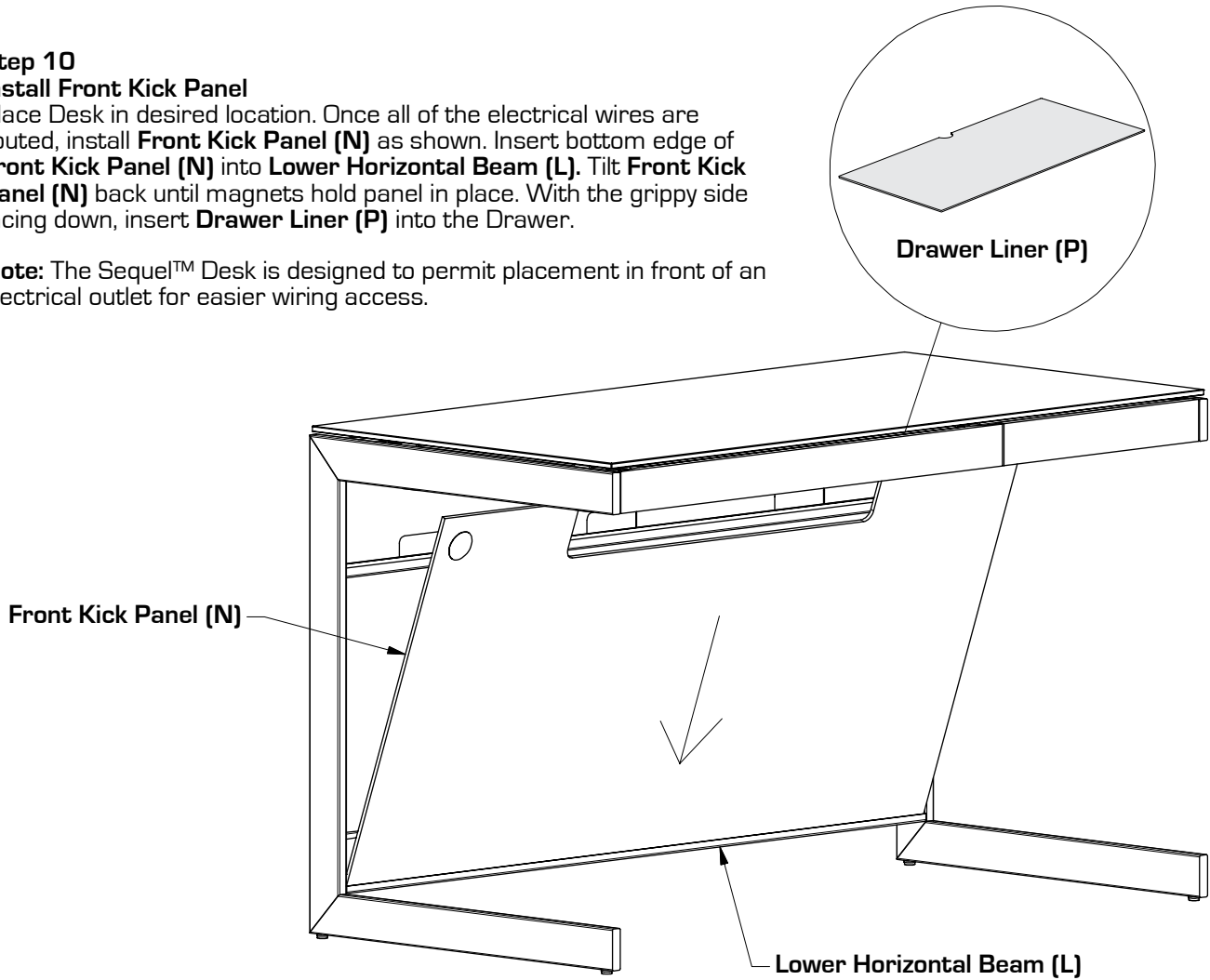


### Step 10

#### Install Front Kick Panel

Place Desk in desired location. Once all of the electrical wires are routed, install **Front Kick Panel (N)** as shown. Insert bottom edge of **Front Kick Panel (N)** into **Lower Horizontal Beam (L)**. Tilt **Front Kick Panel (N)** back until magnets hold panel in place. With the grippy side facing down, insert **Drawer Liner (P)** into the Drawer.

**Note:** The Sequel™ Desk is designed to permit placement in front of an electrical outlet for easier wiring access.



### Step 11 (optional)

#### Attach Back Panel

**Back Panel (O)** Sequel™ 6008 (sold separately) is designed to conceal wire management if desk is located in the middle of a room.

Insert bottom edge of **Back Panel (O)** into **Lower Horizontal Beam (L)**. Tilt **Back Panel (O)** forward until magnets hold panel in place.

