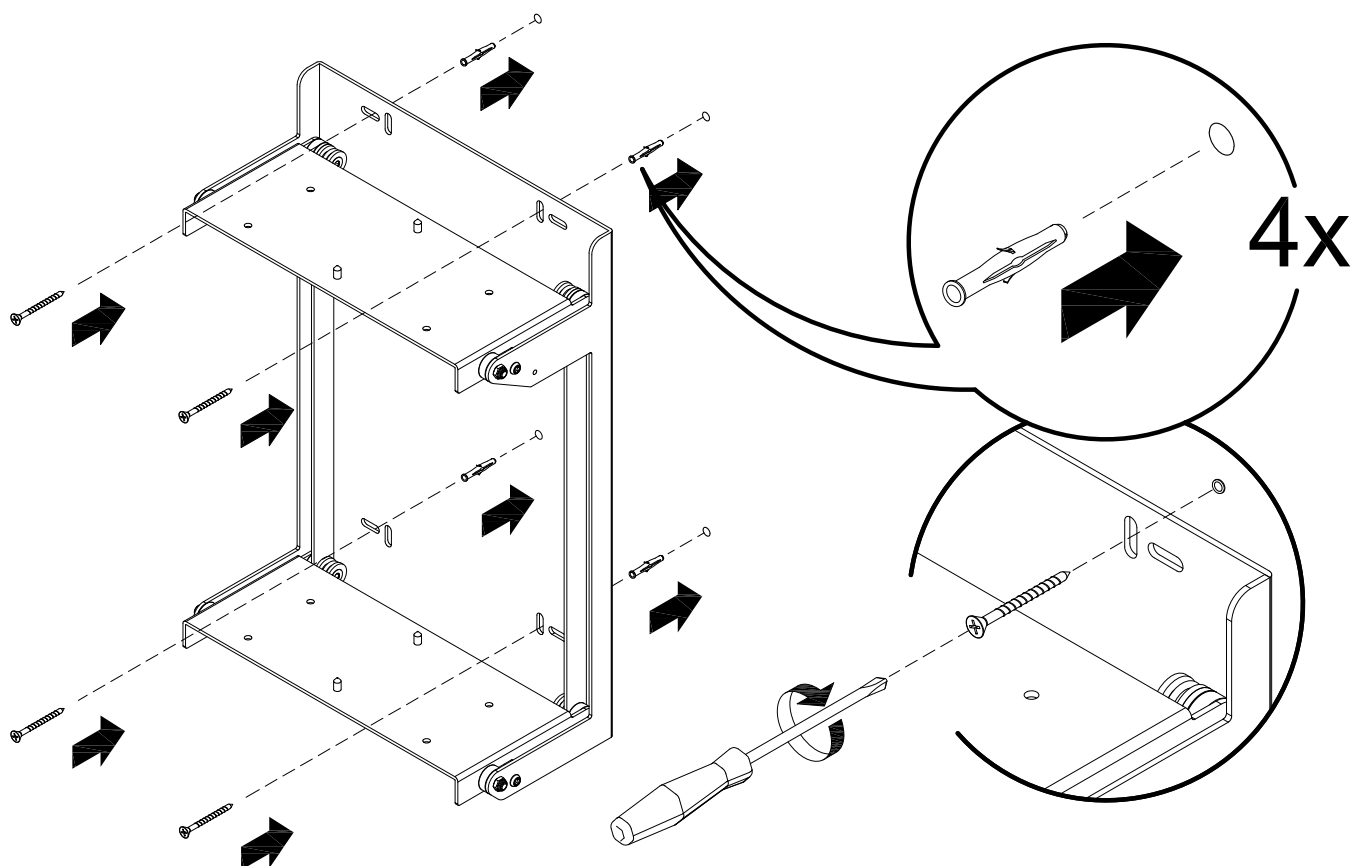
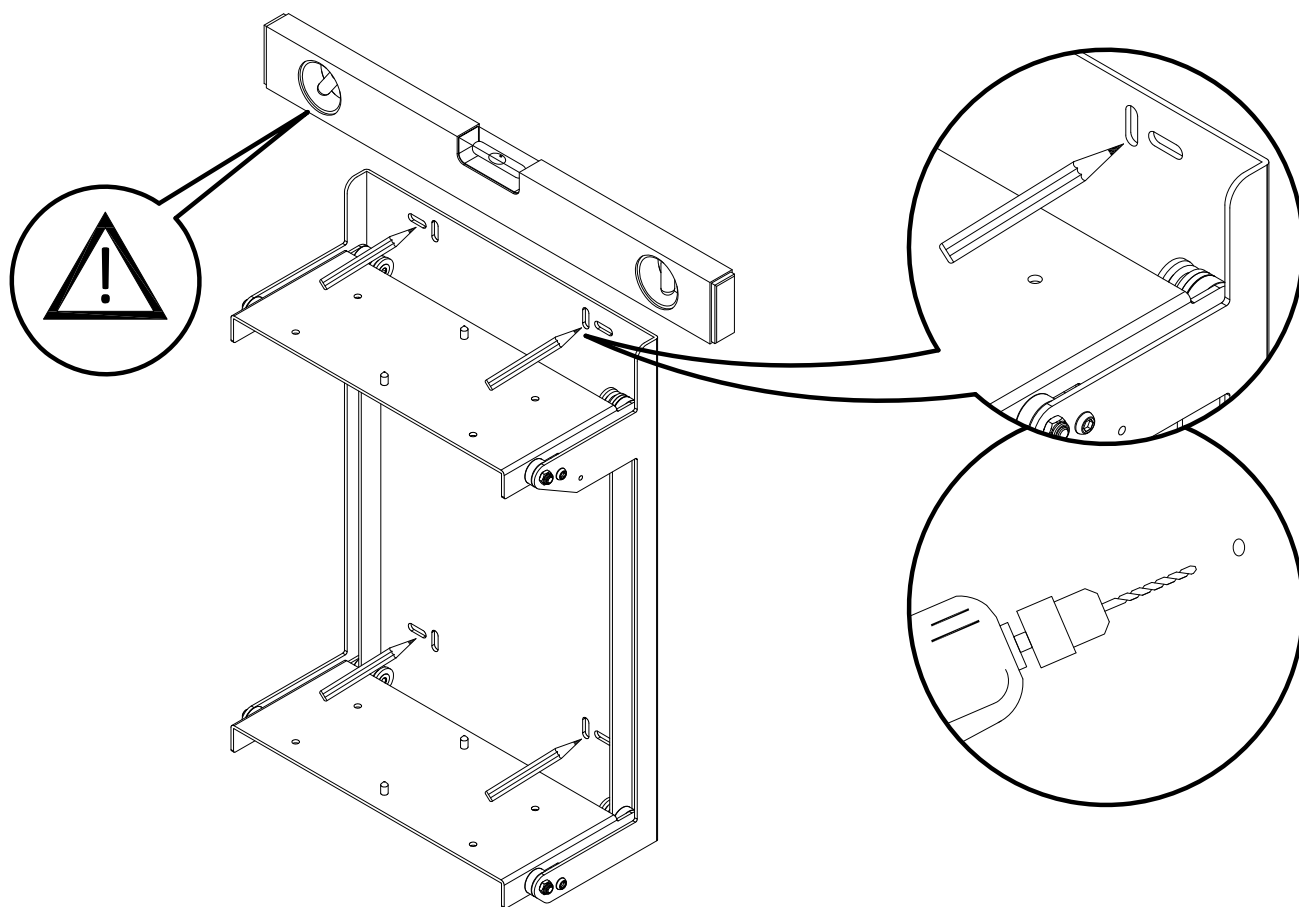


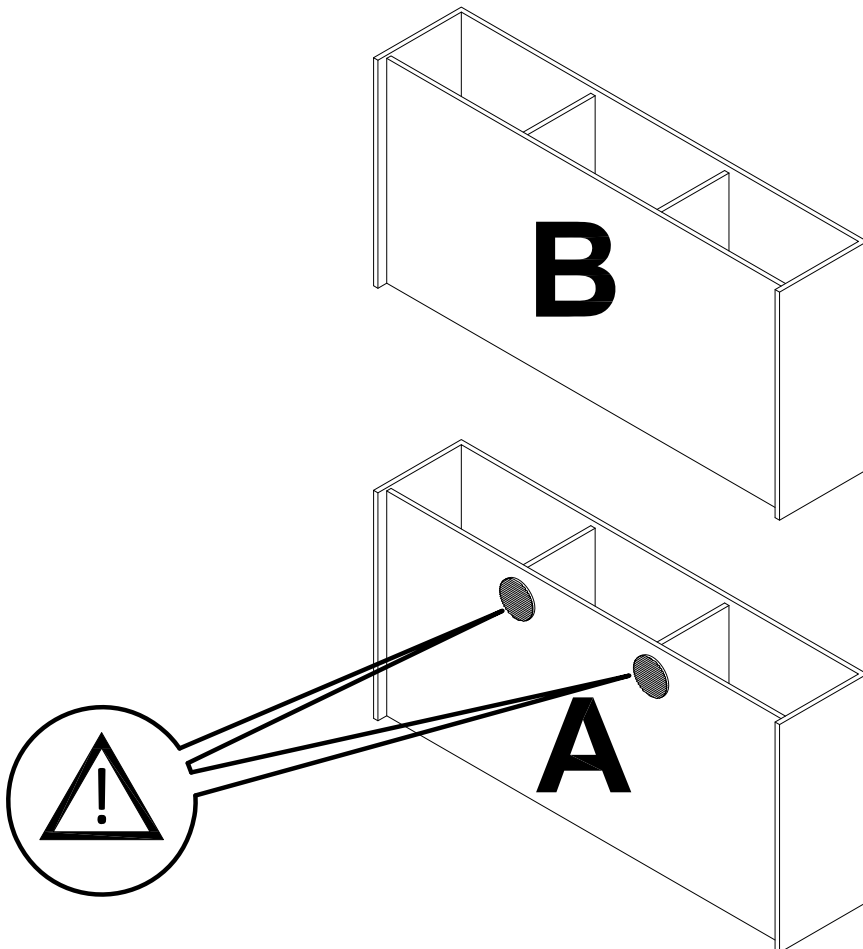
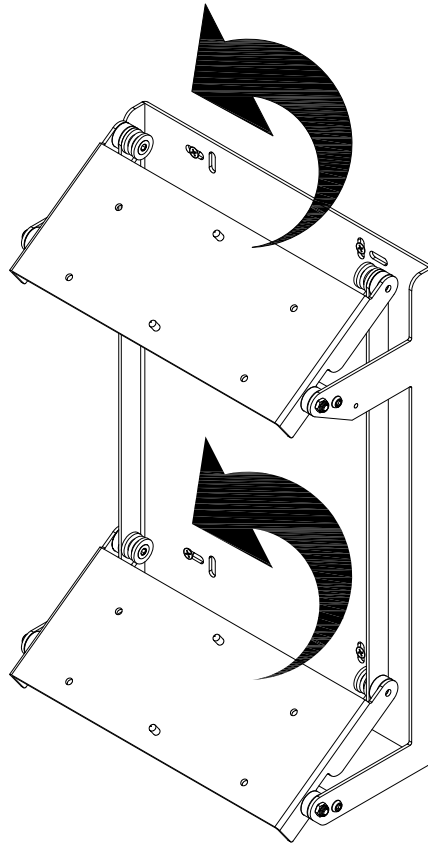
PIT STOP

Design: T.Colzani

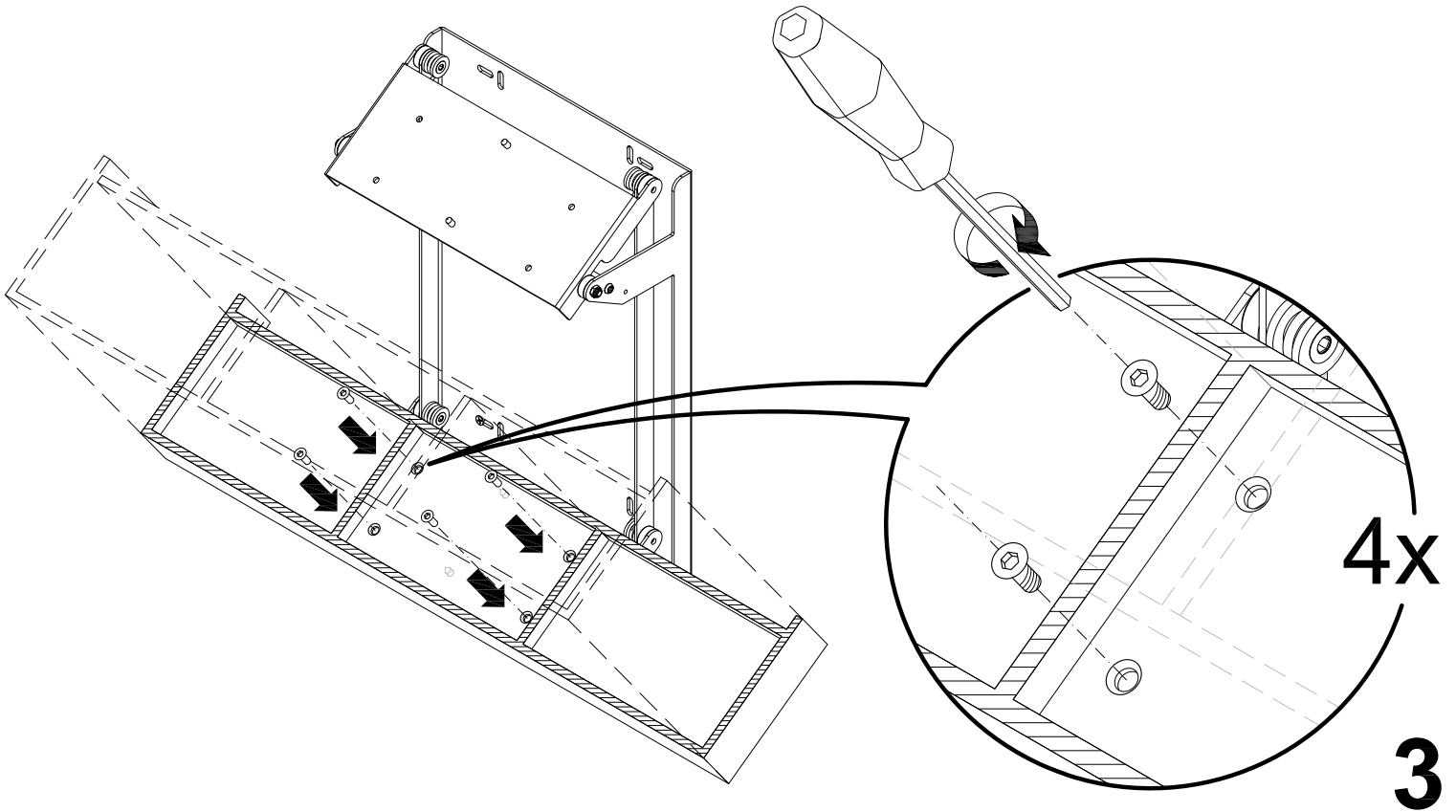
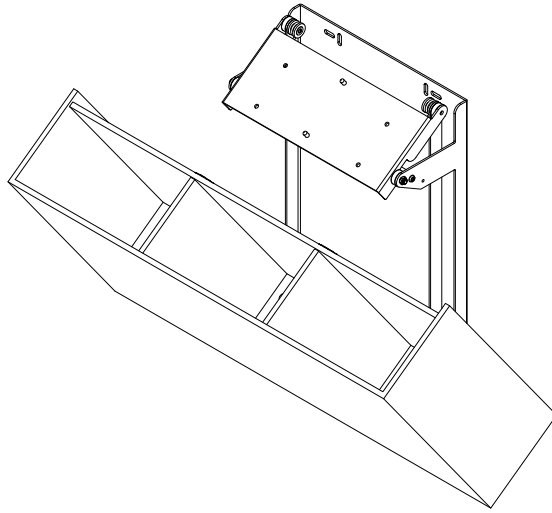
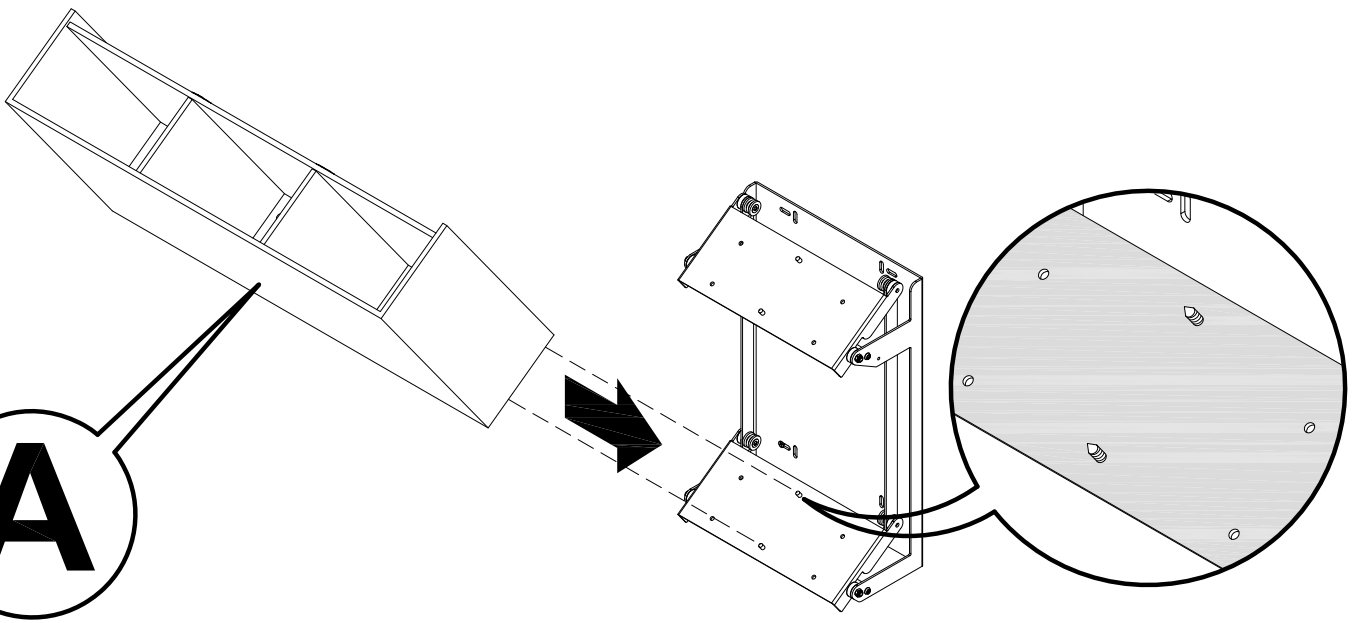
Istruzioni di montaggio
Assembly-instruction

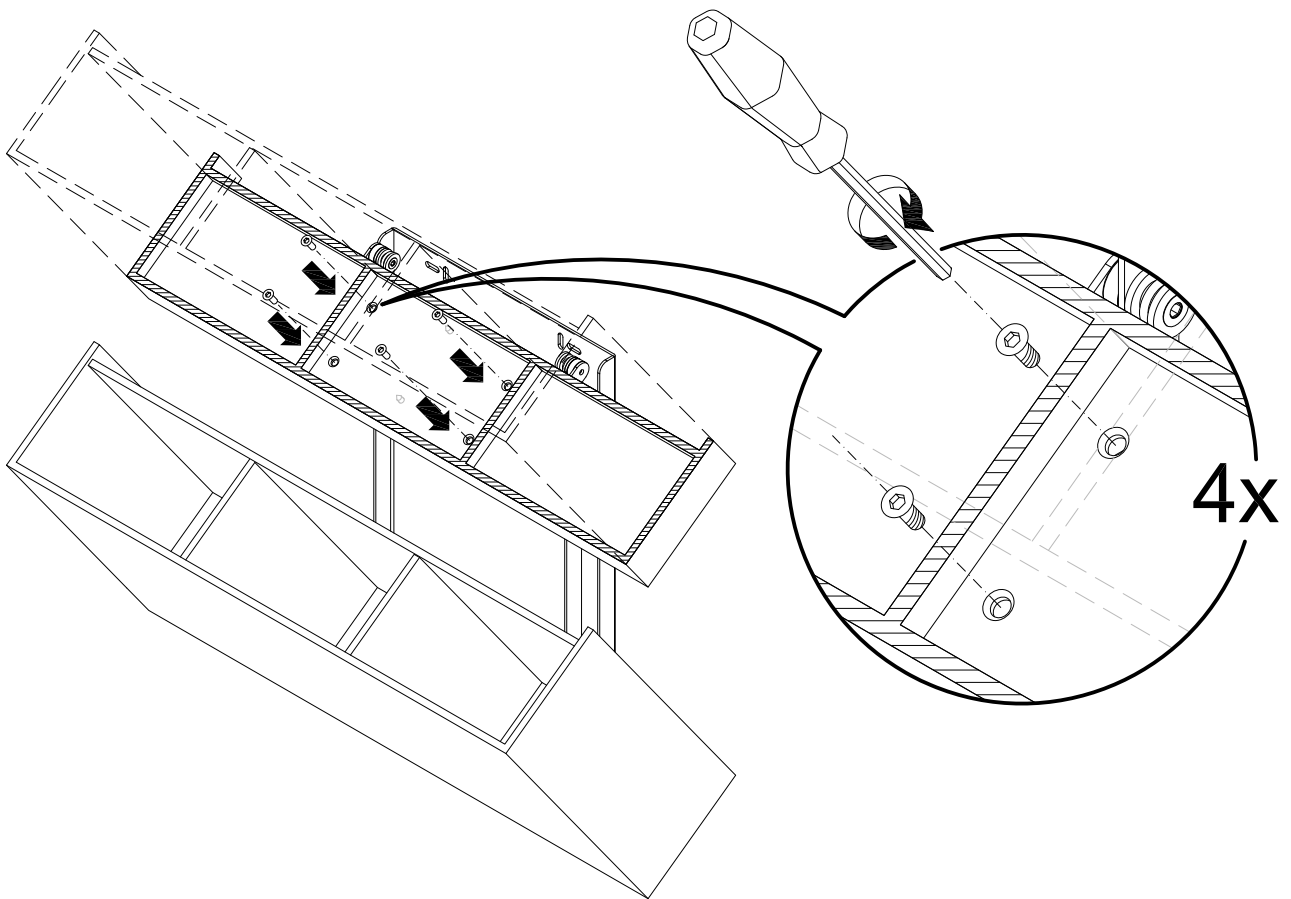
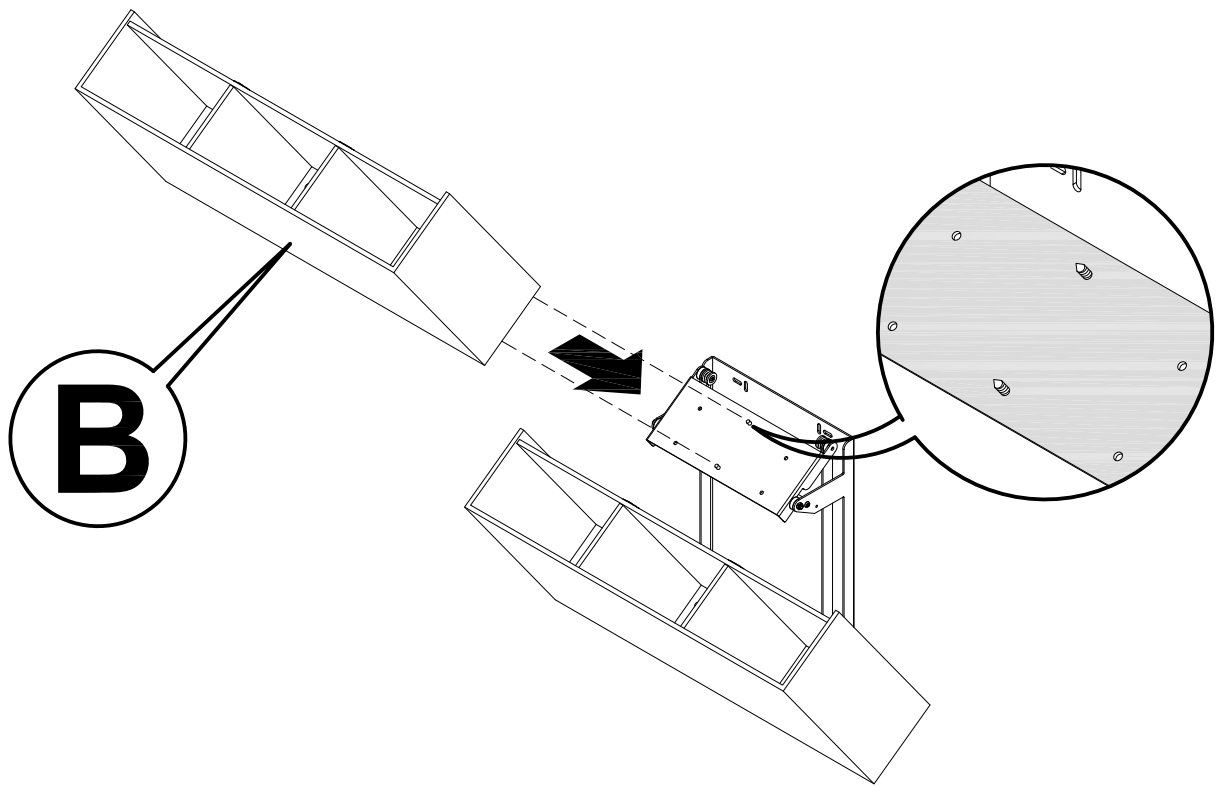
porada





A





DISCLAIMER Any included instructions are meant for general application only. All assembly, installation and mounting applications are the sole responsibility of the customer/installer. Porada accepts no liability for the safe and proper assembly, installation and mounting of any of its products. Any and all included instructions are meant for advisory purposes only and the use of them is completely voluntary.

Porada makes no representations or warranties, express or implied, in connection with the information. Any use or application of this information will be at the customer/installers sole risk and responsibility. Porada will not be responsible for any loss, claims or damages arising out of the use or application of this information, regardless of whether the same may be known or foreseeable.

It is the sole responsibility of the customer/installer to see that all installation and mounting procedures conform to any local and state codes and statutes that may apply. For this reason it is recommended that all assembly, installation and mounting be performed by a qualified contractor.