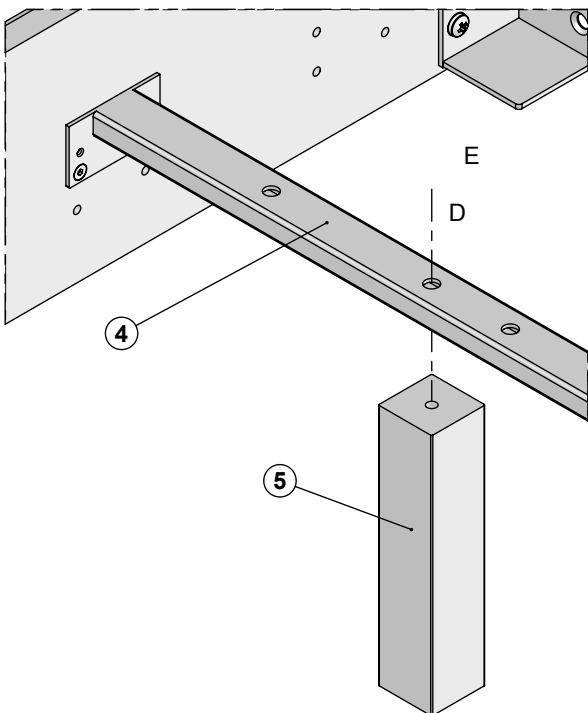
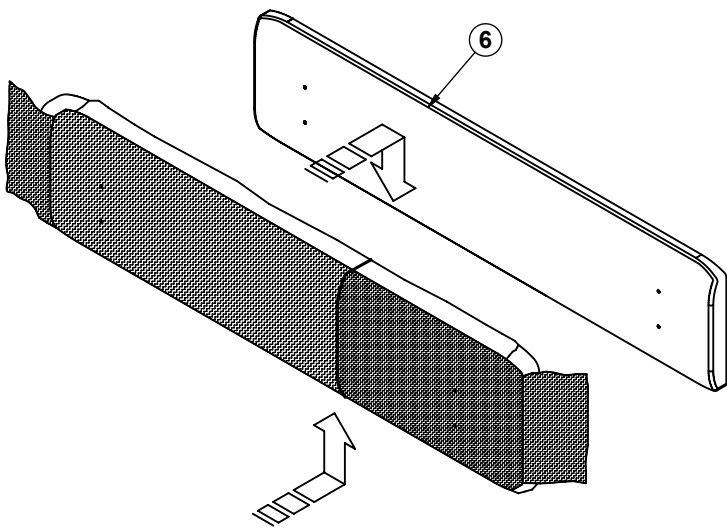
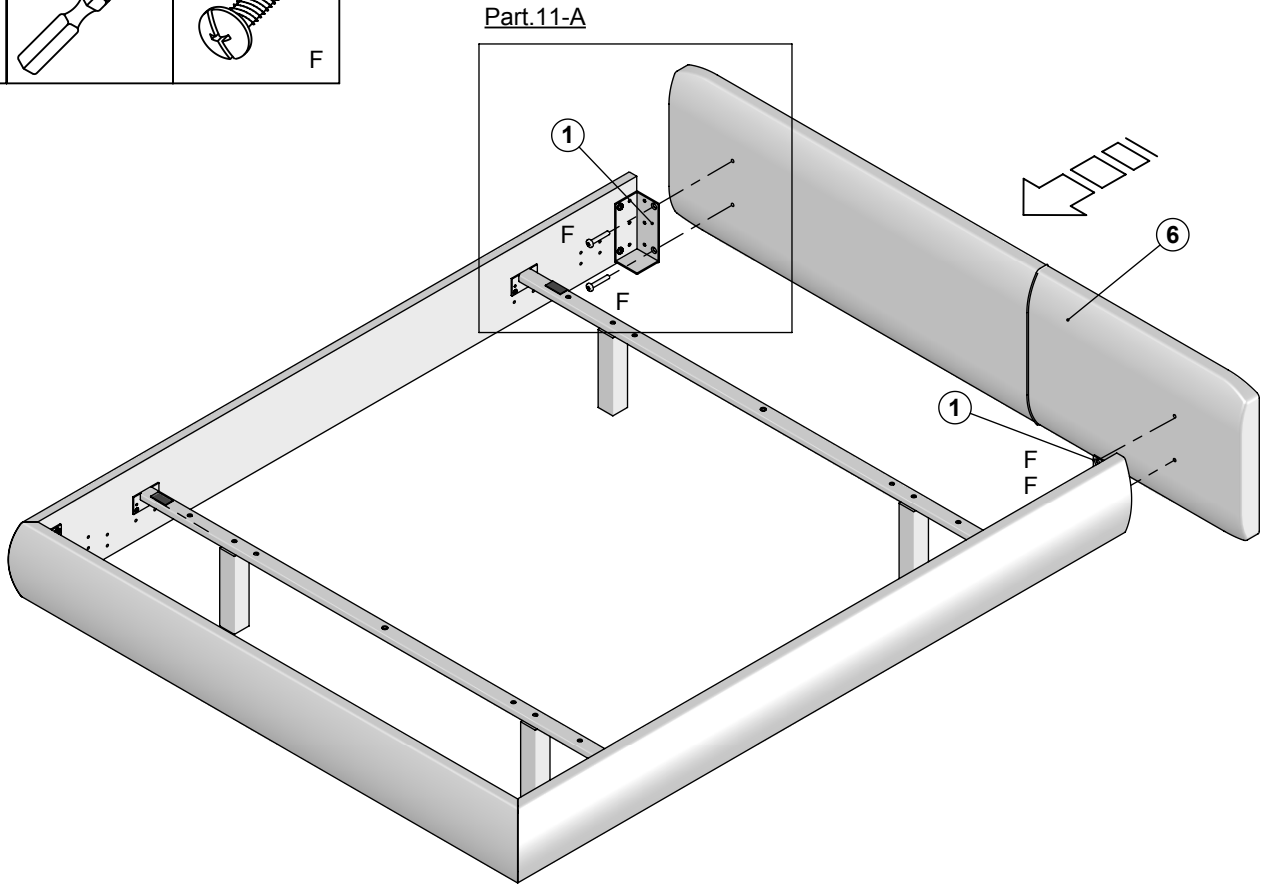
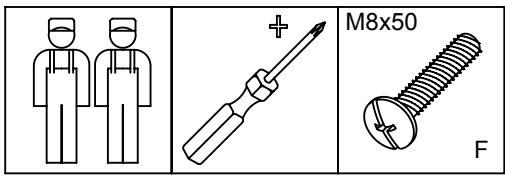
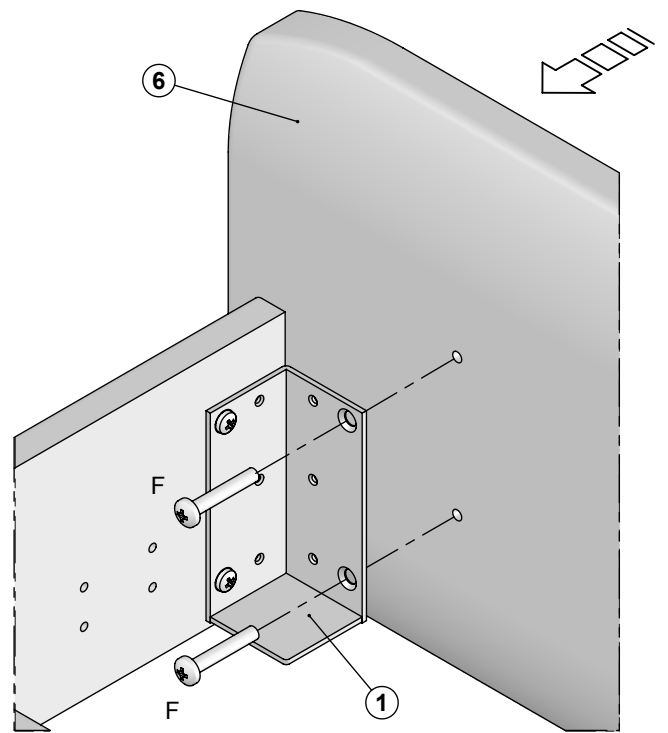


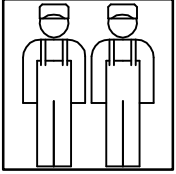
Part.9-A



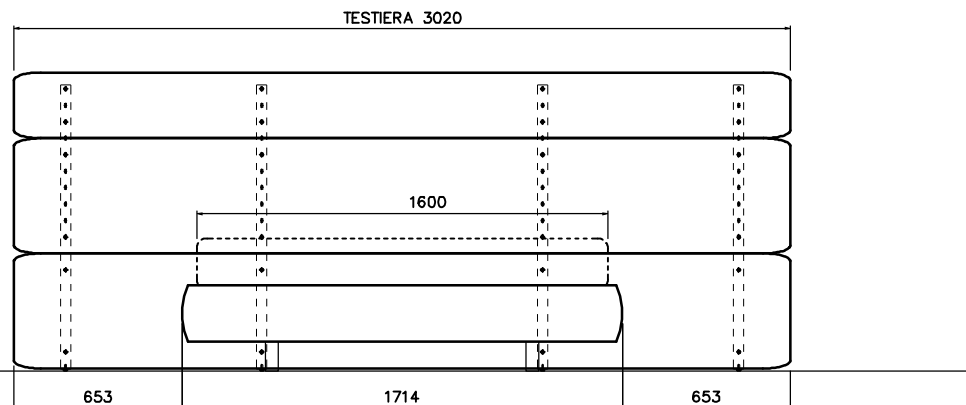
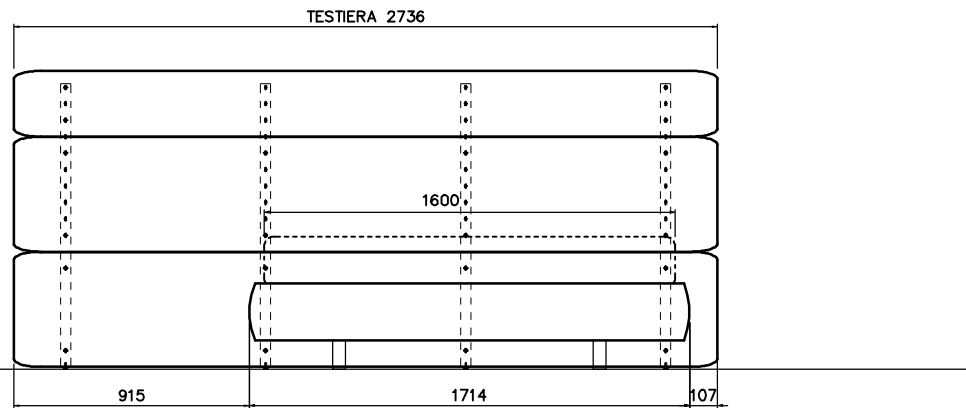
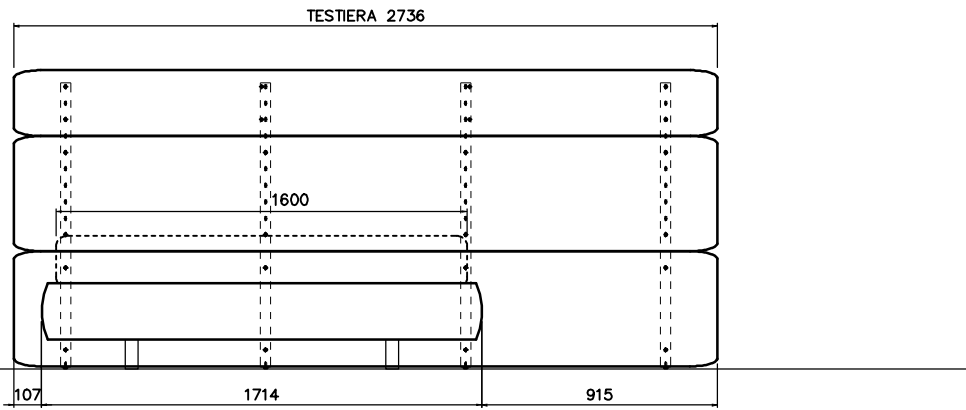
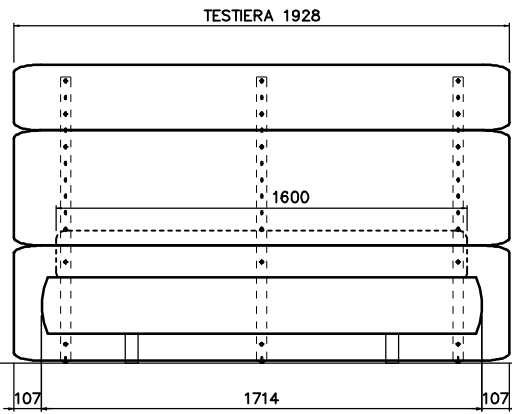


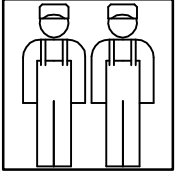
Part.11-A



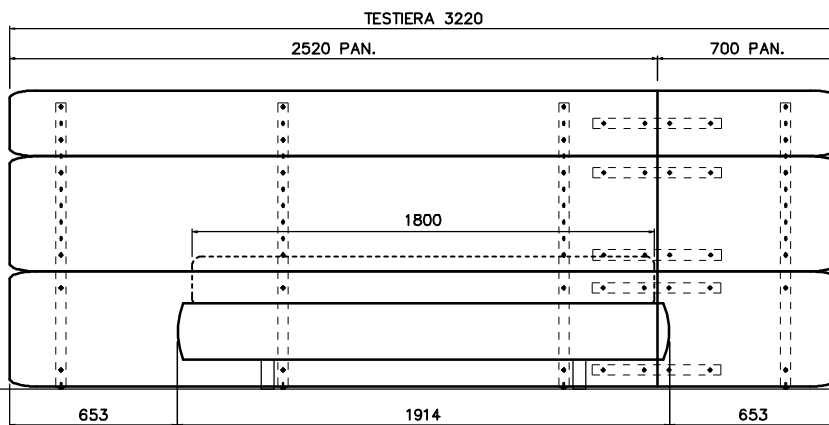
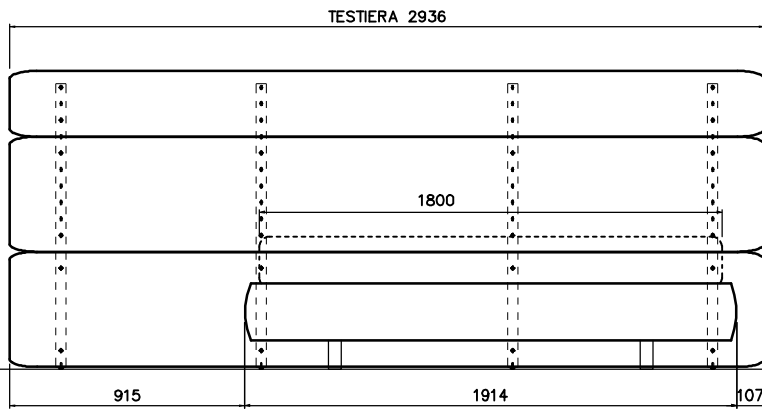
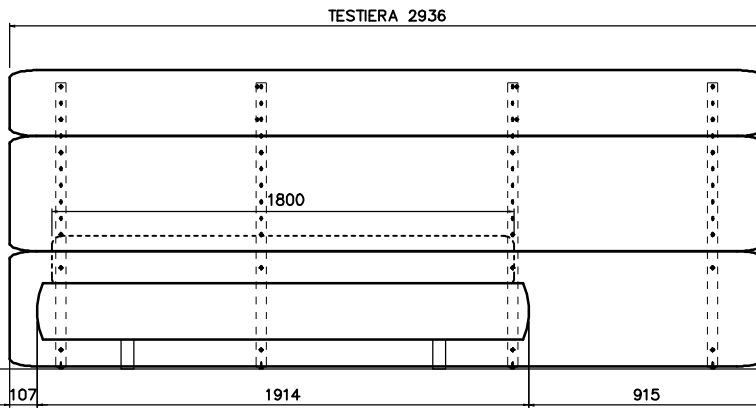
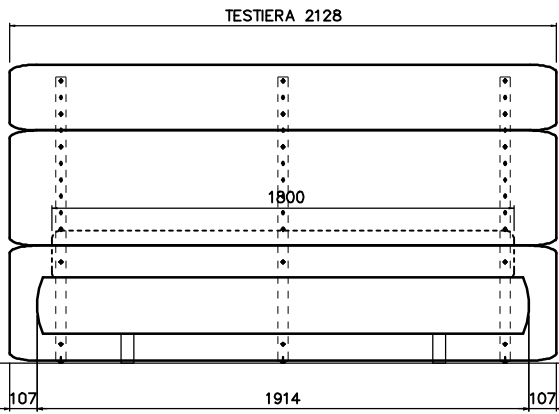


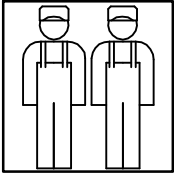
L.1610



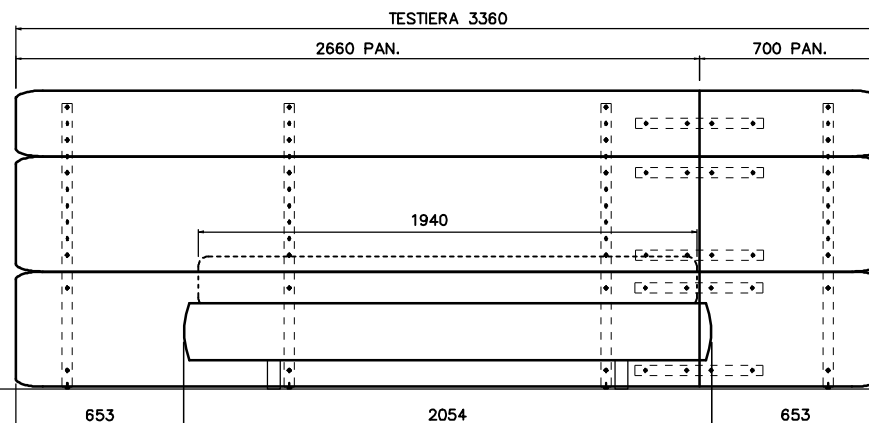
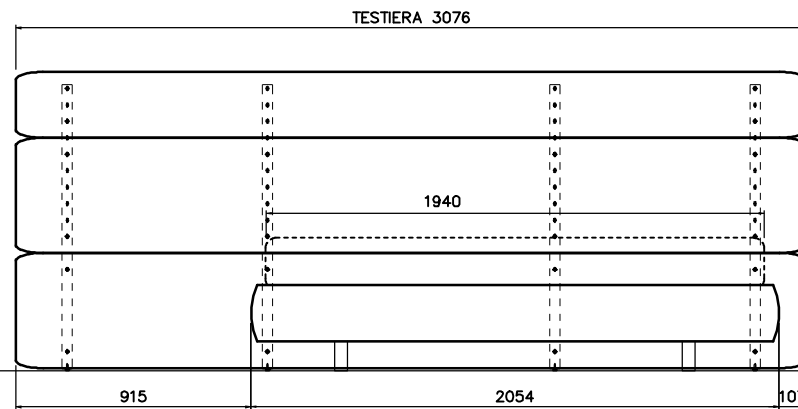
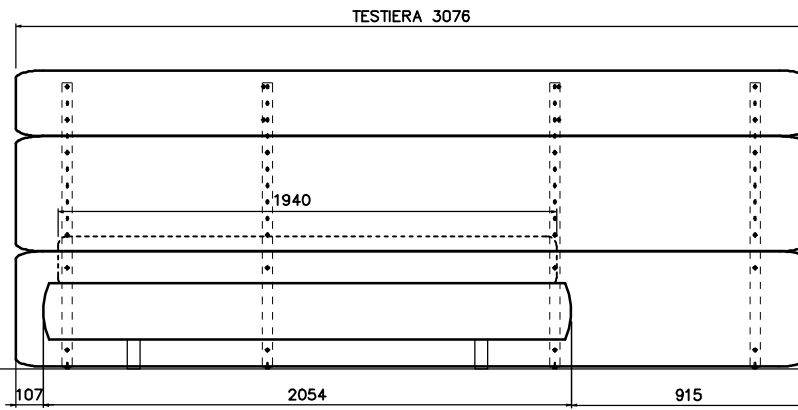
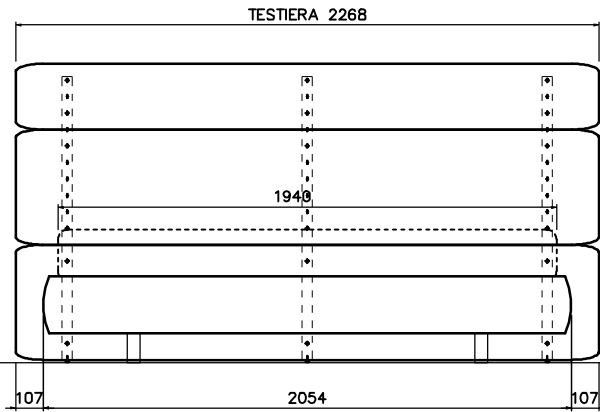


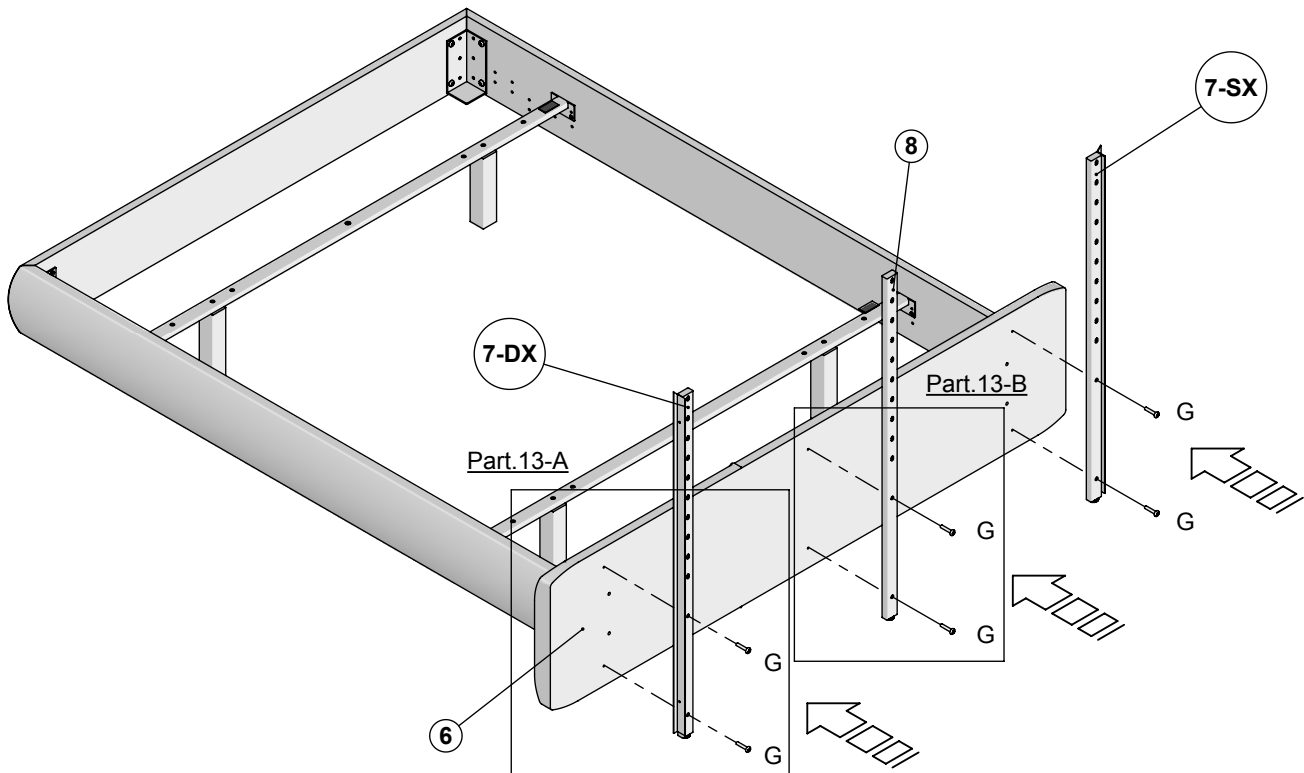
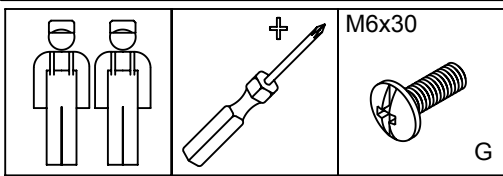
L.1810



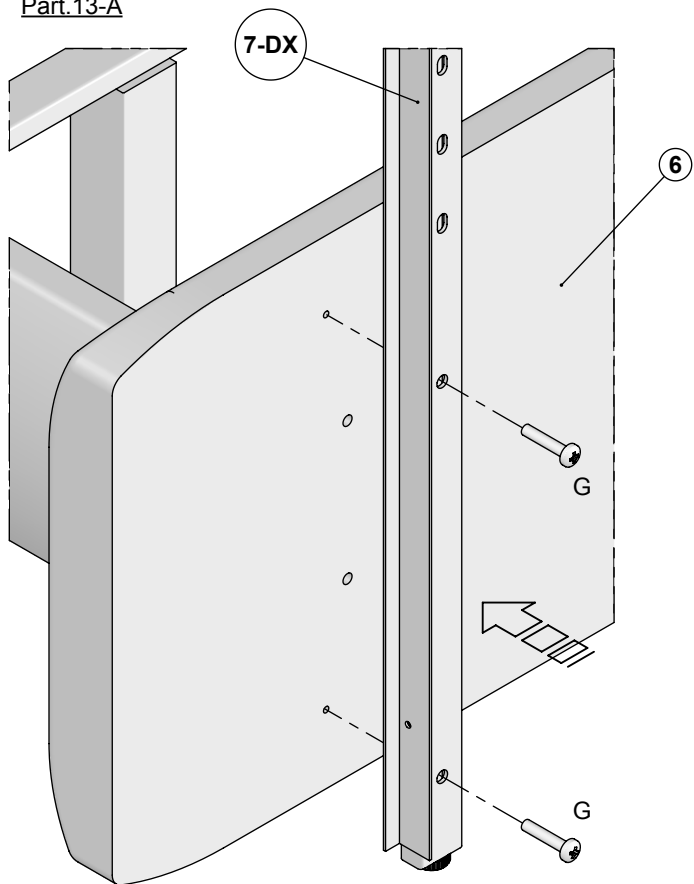


L.1950

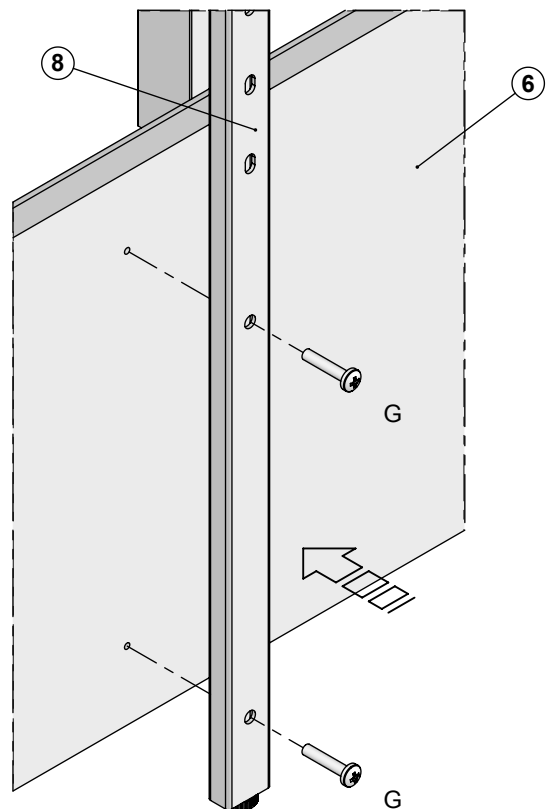


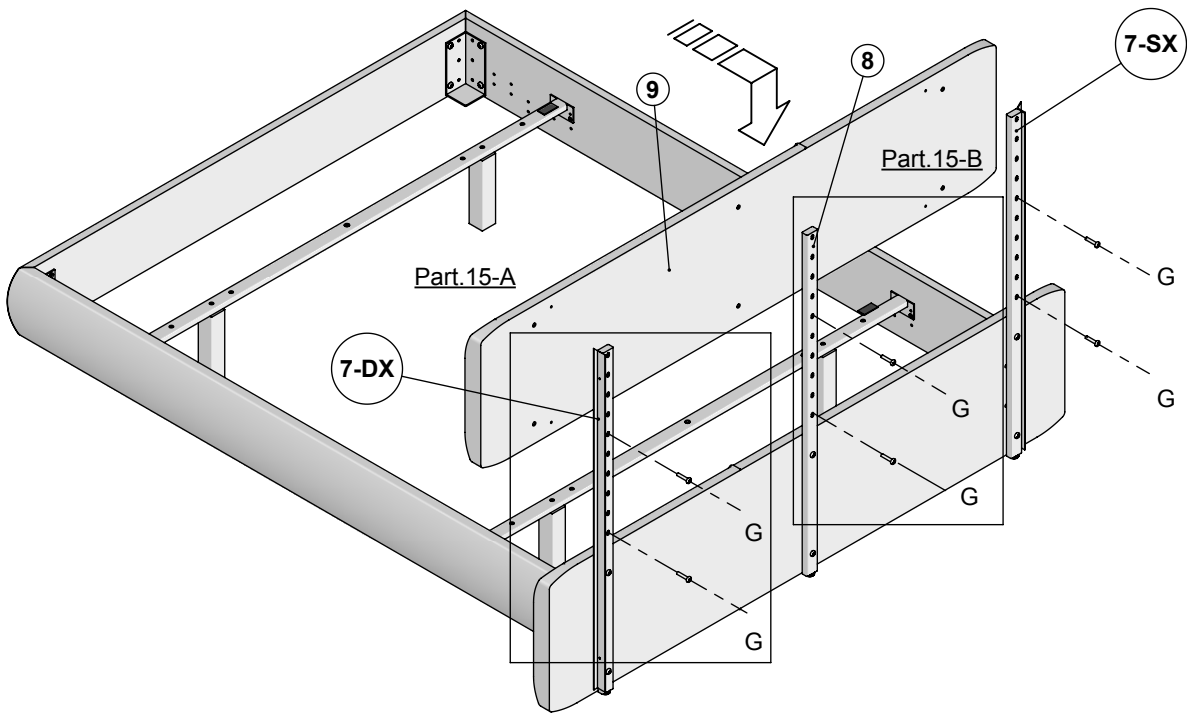
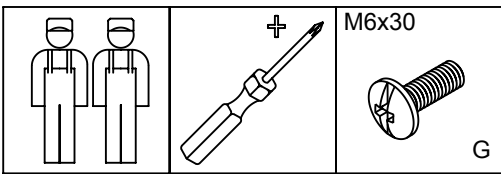


Part.13-A

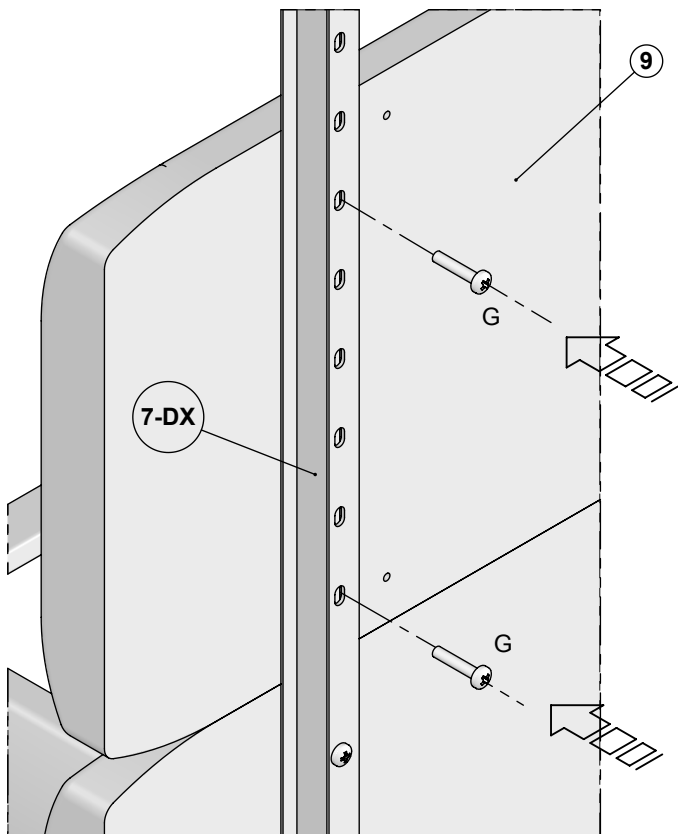


Part.13-B

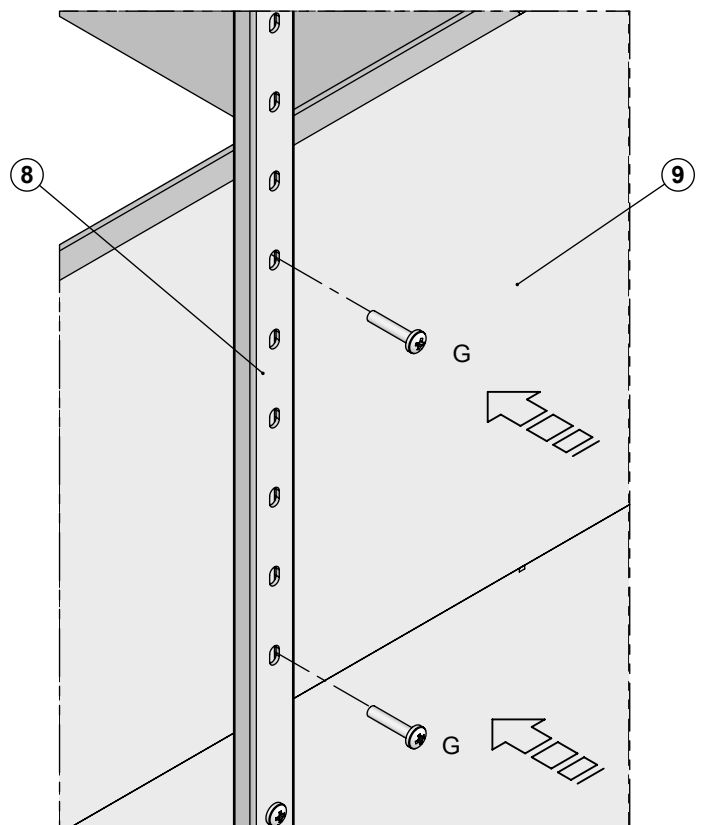


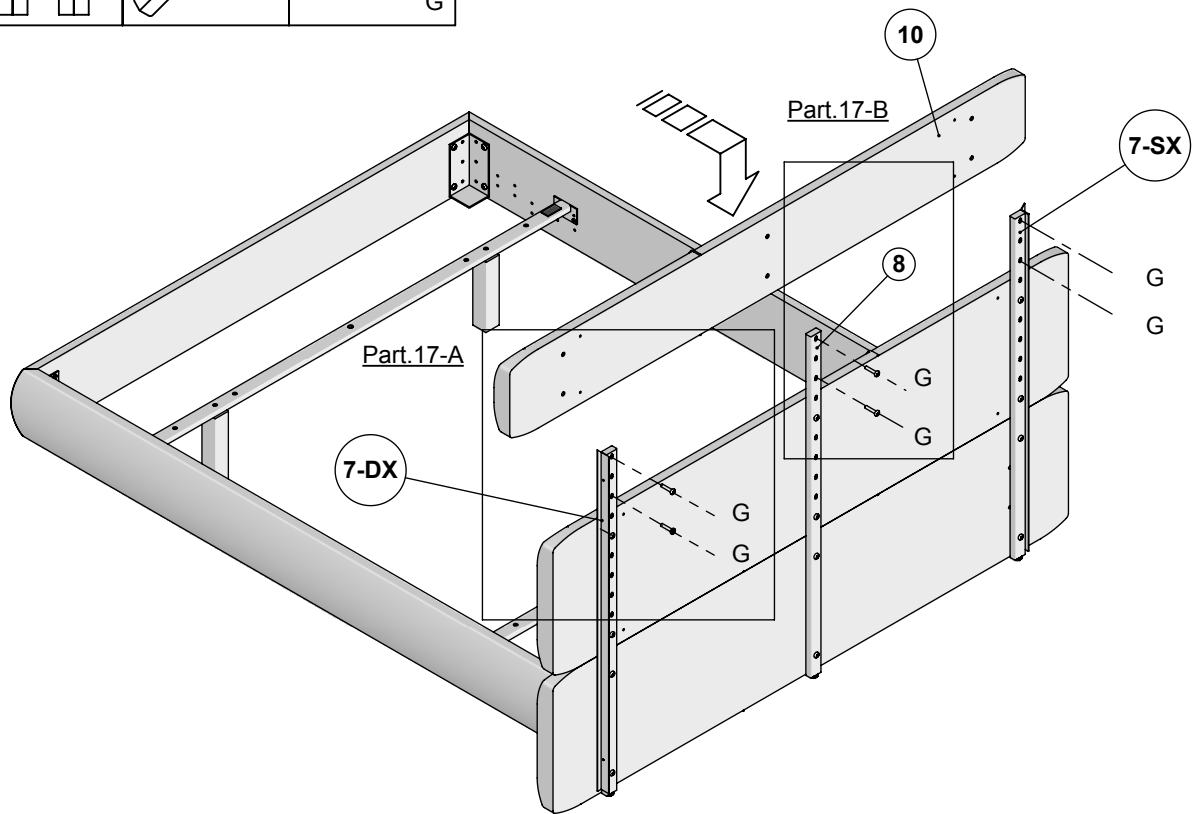
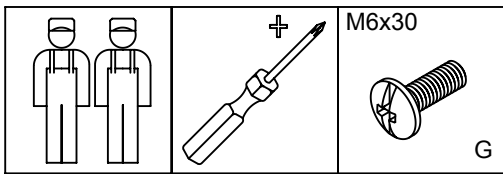


Part.15-A

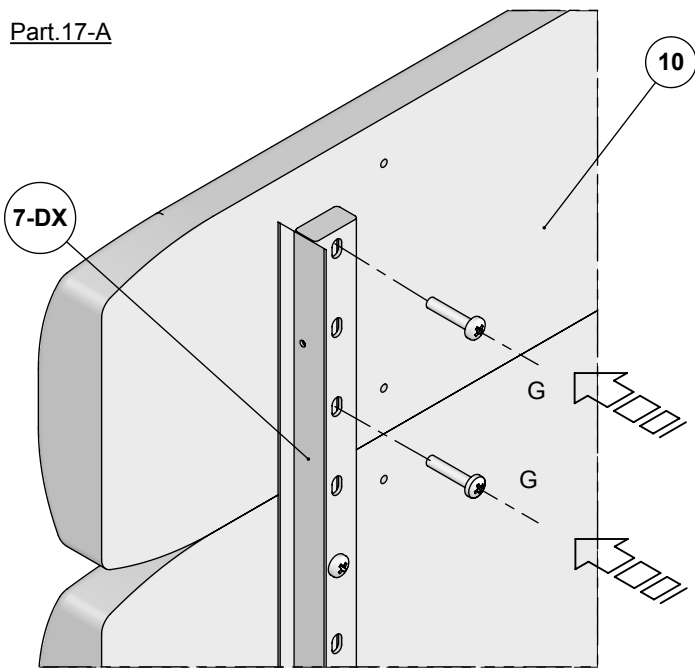


Part.15-B

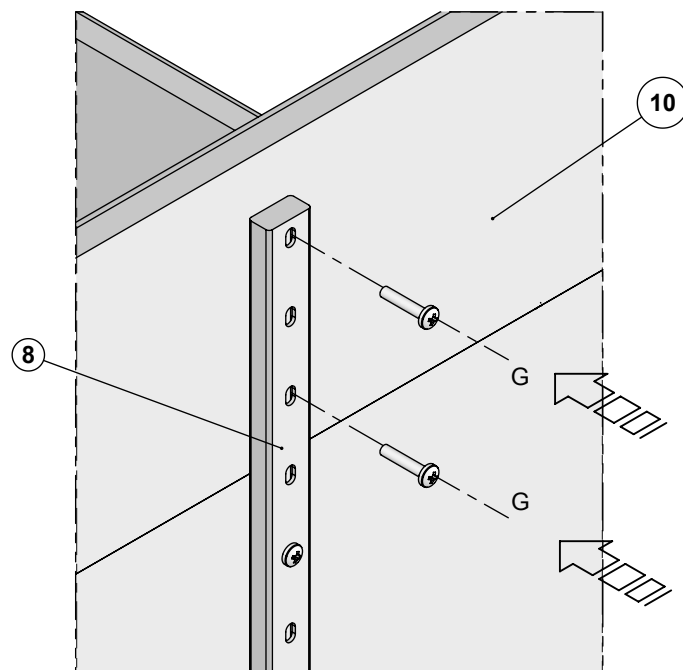


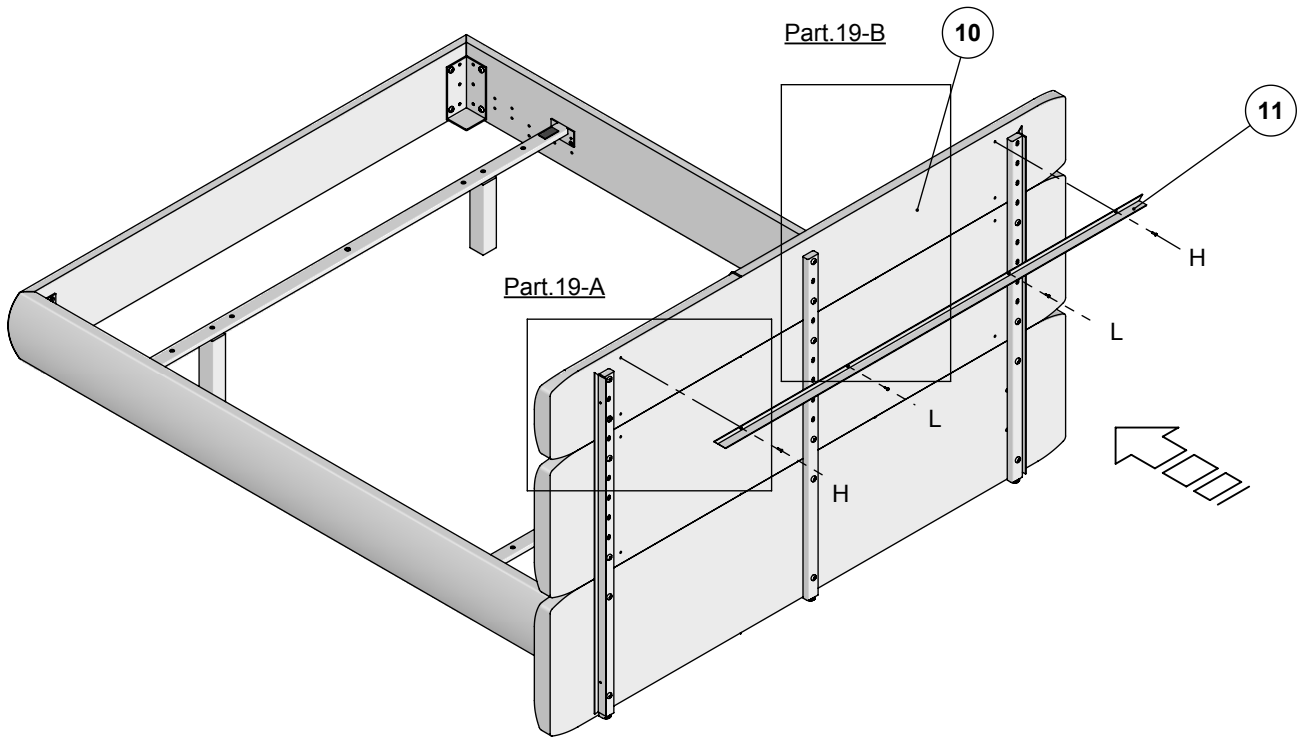
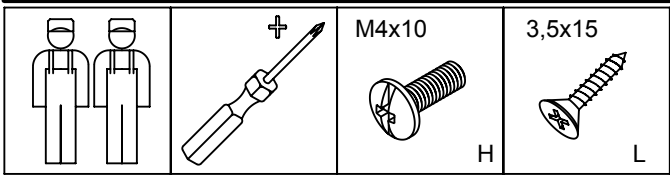


Part.17-A

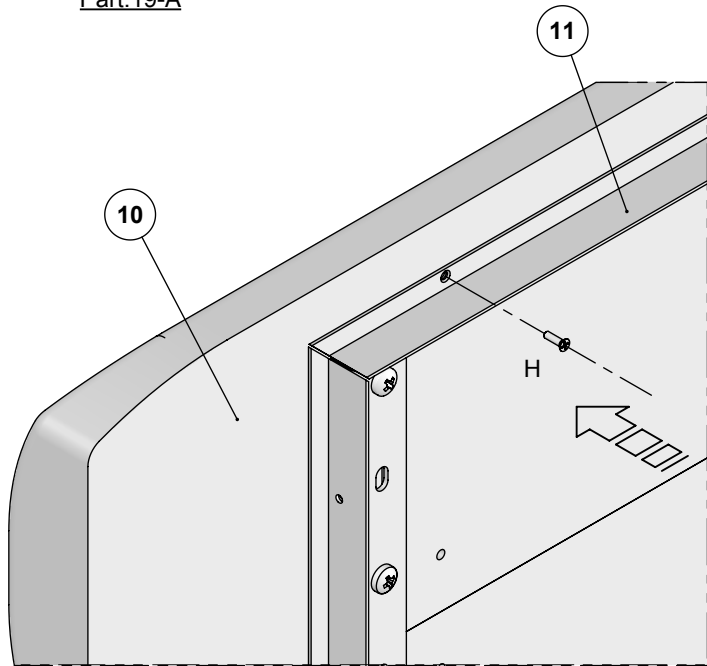


Part.17-B

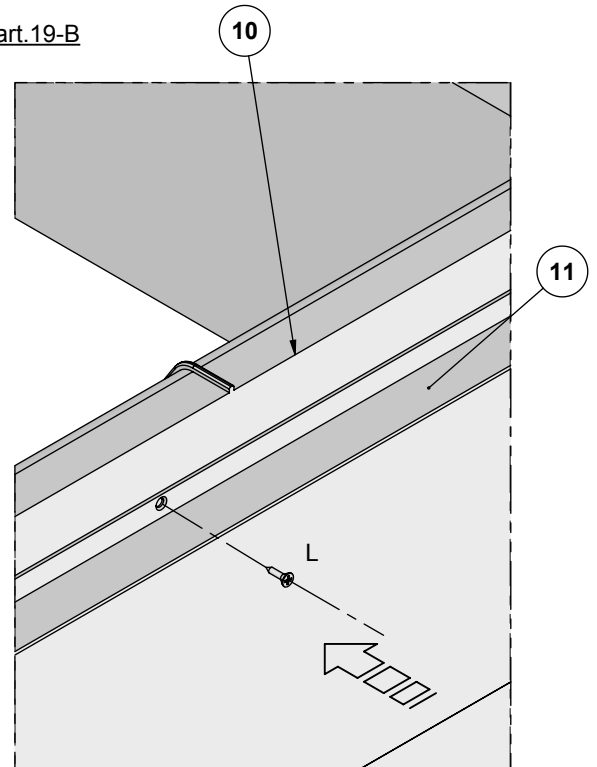




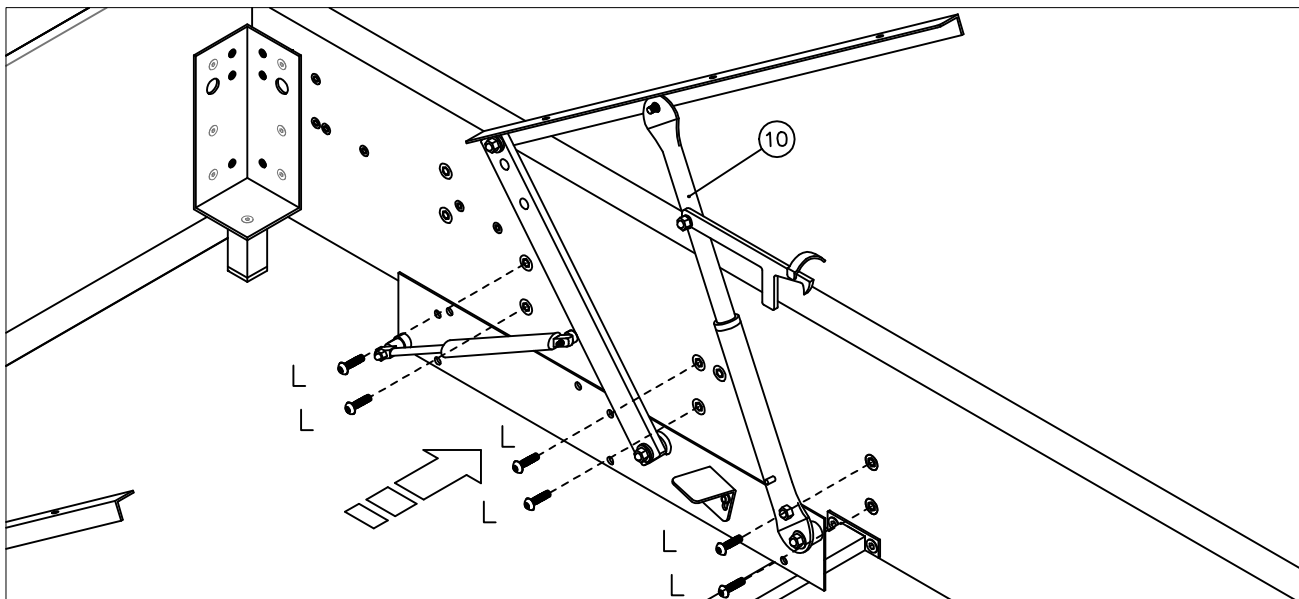
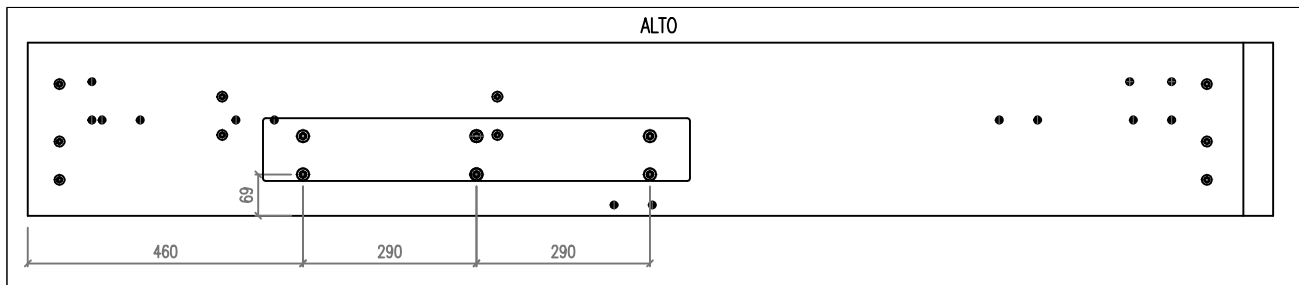
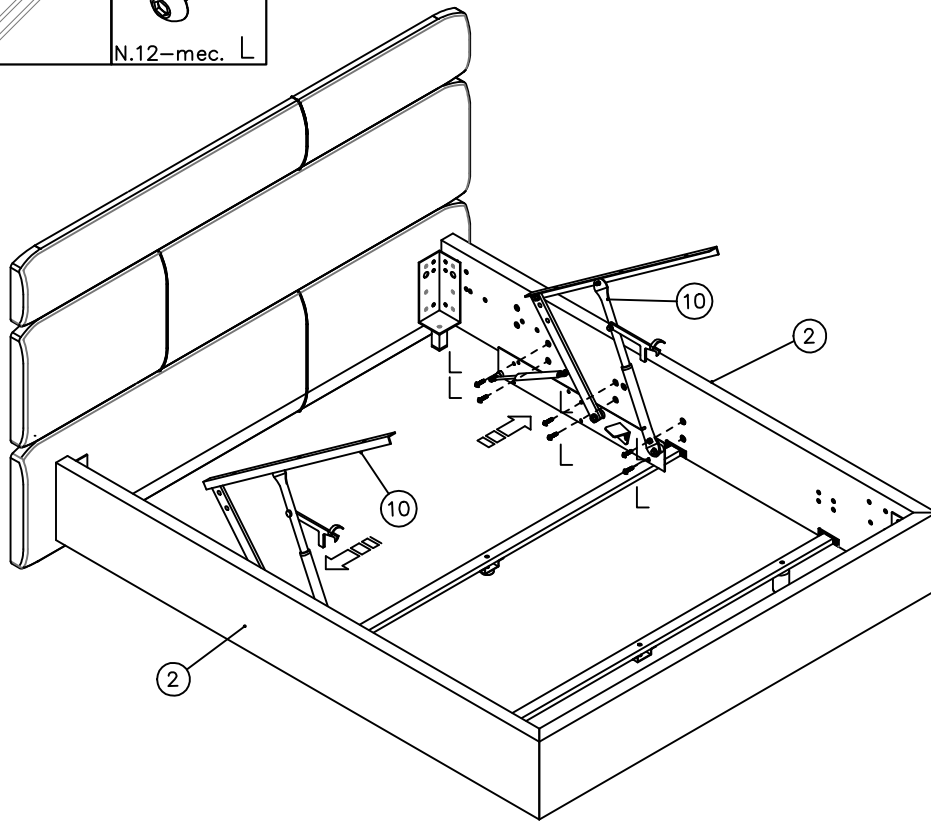
Part.19-A

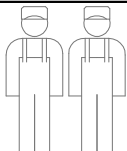








Part.19-B



	mm. 5	M8x25
		N.12-mec. L



	mm.4 	M8x25  N.4-mec. M	M8  N.4-mec. N	M8  Premontati O	Ø12x22  Premontati P	Teflon Ø11x22  Premontati Q	8
---	---	--	---	---	---	---	---

