

Manta, shimmering waves.

design Dodo Arslan & Nicolas Terzani
terzani.com



Product Name

Manta
pendant light

Materials

clear crystal

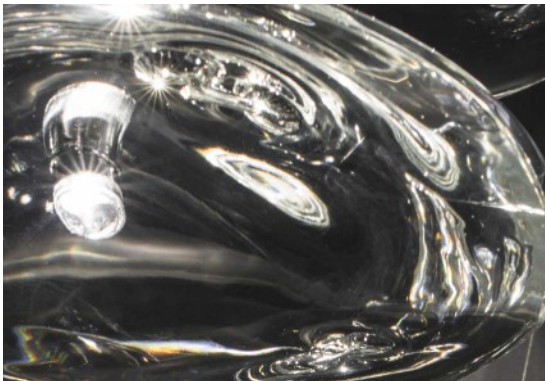
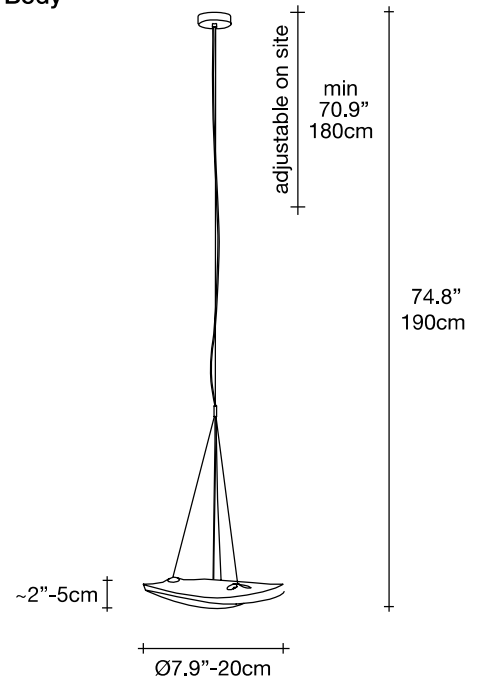


Finishes | Code



clear
OK011 E8 A9

Body



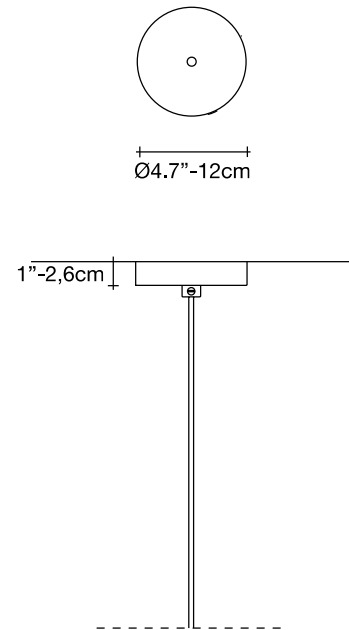
Integrated Led

120V ~ 50/60Hz

LED integrated
1.5W 105 lm 3000K
or optional 2700K

not dimmable

Canopy | white



Manta is the latest design featuring the distinctive lead crystal first unveiled in Nicolas Terzani's best-selling Mizu. Collaborating with designer Dodo Arslan, the two imaginative minds created a light featuring sinuous, undulating lines. The results are soft waves of crystal light reminiscent of being underwater. The innovative Manta is made of crystal, with a dimmable integrated LED lamp focused on maximizing the crystal's reflection. Manta's organic form is available in three sizes (Ø 20cm-7.9", Ø 26cm-10.2", Ø 32cm-12.6") and can be installed in numerous, customizable arrangements. Design Dodo Arslan & Nicolas Terzani.

Manta, shimmering waves.

design Dodo Arslan & Nicolas Terzani
terzani.com



Product Name
Manta
pendant light

Materials
clear crystal

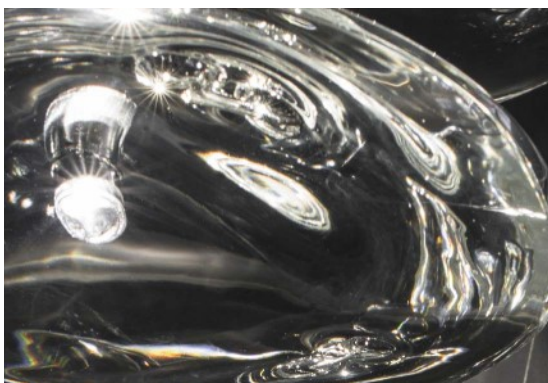
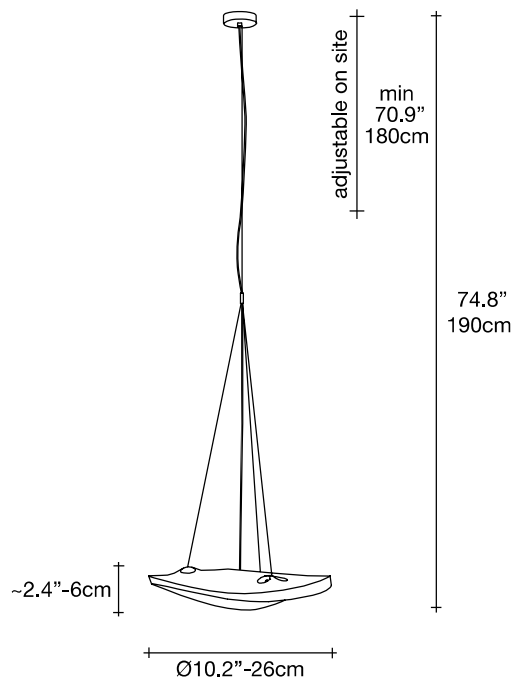


Finishes | Code



clear
OK012 E8 A9

Body

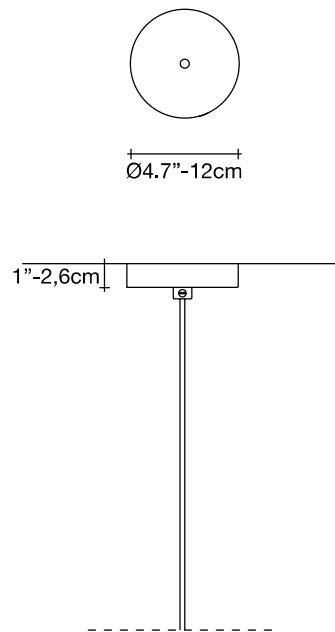


Integrated Led
120V ~ 50/60Hz

LED integrated
1.5W 105 lm 3000K
or optional 2700K

not dimmable

Canopy | white



Manta is the latest design featuring the distinctive lead crystal first unveiled in Nicolas Terzani's best-selling Mizu. Collaborating with designer Dodo Arslan, the two imaginative minds created a light featuring sinuous, undulating lines. The results are soft waves of crystal light reminiscent of being underwater. The innovative Manta is made of crystal, with a dimmable integrated LED lamp focused on maximizing the crystal's reflection. Manta's organic form is available in three sizes (Ø 20cm-7.9", Ø 26cm-10.2", Ø 32cm-12.6") and can be installed in numerous, customizable arrangements. Design Dodo Arslan & Nicolas Terzani.