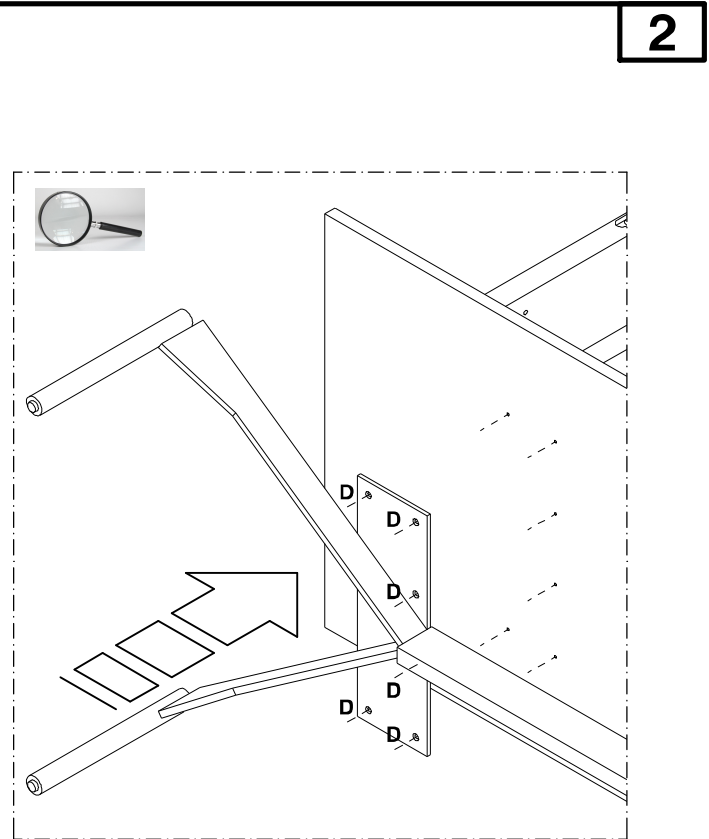
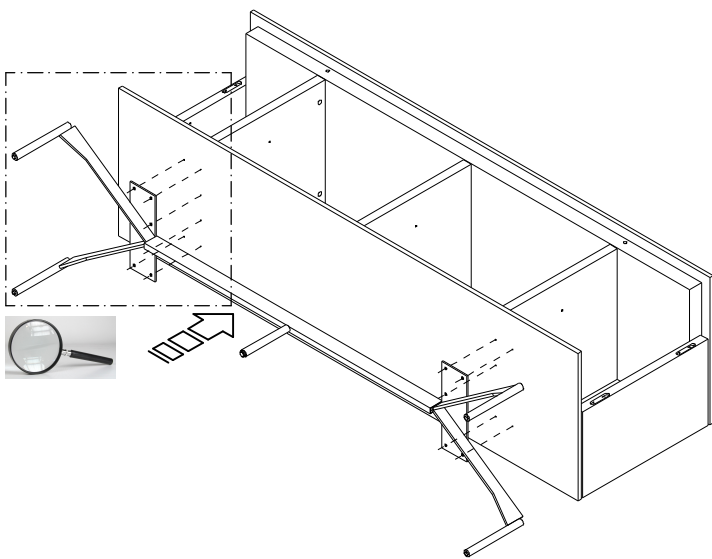
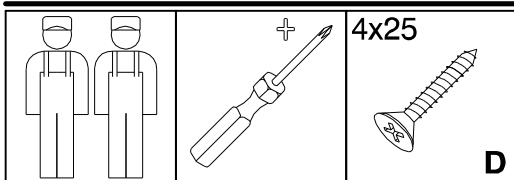
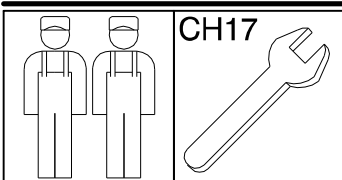
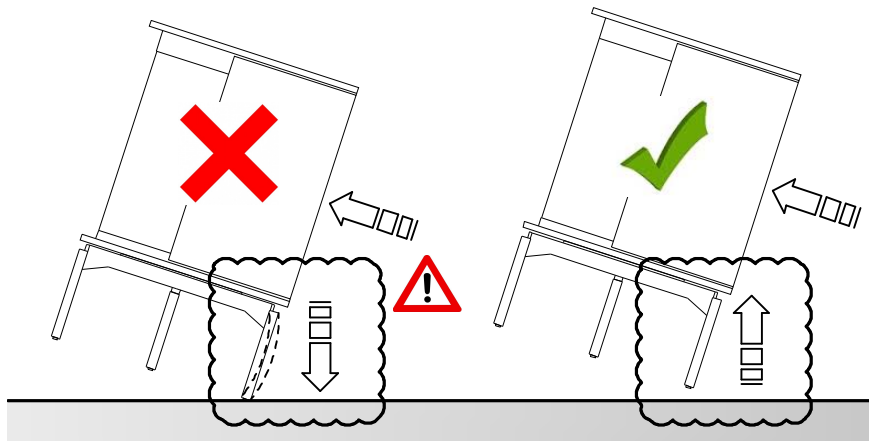
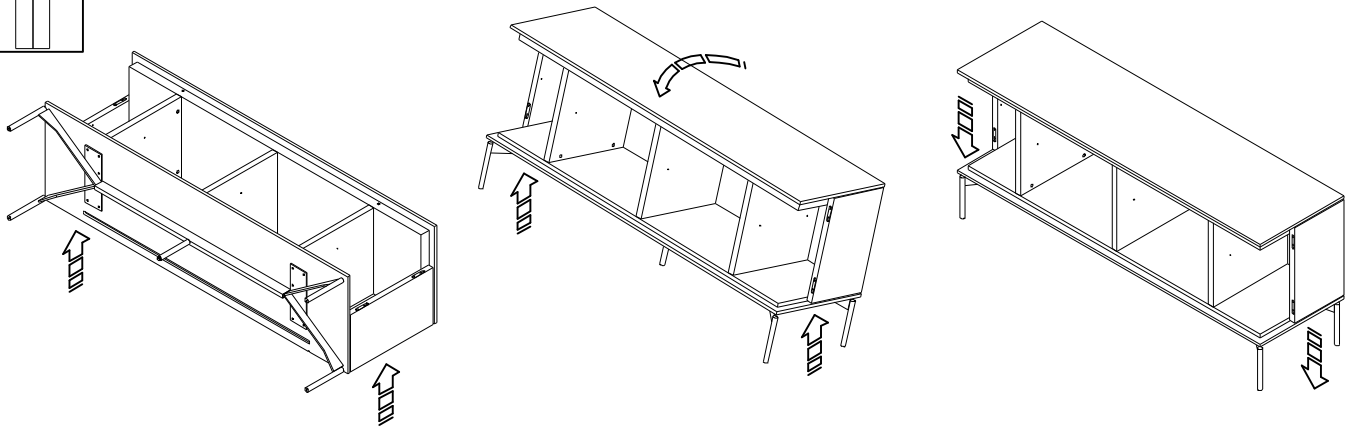
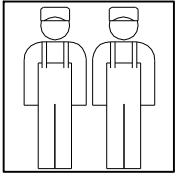


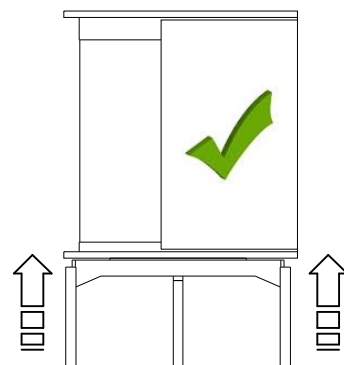
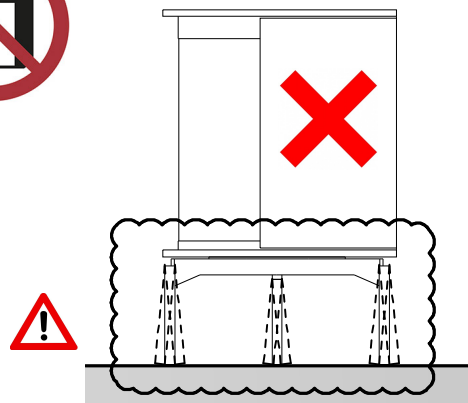
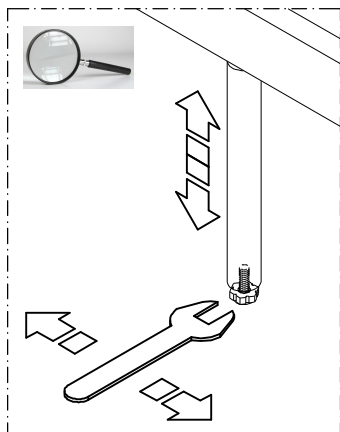
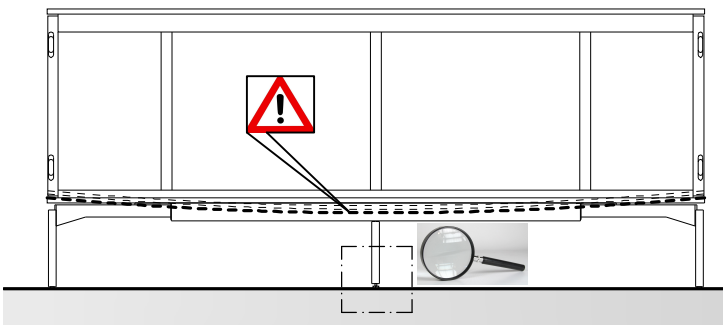
1



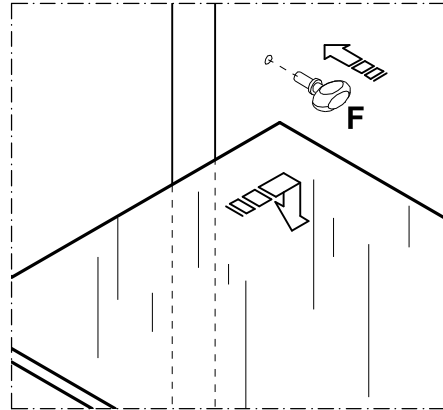
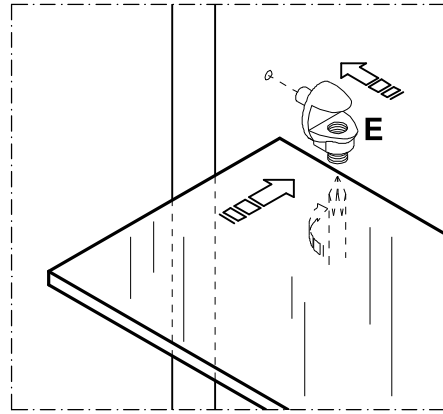
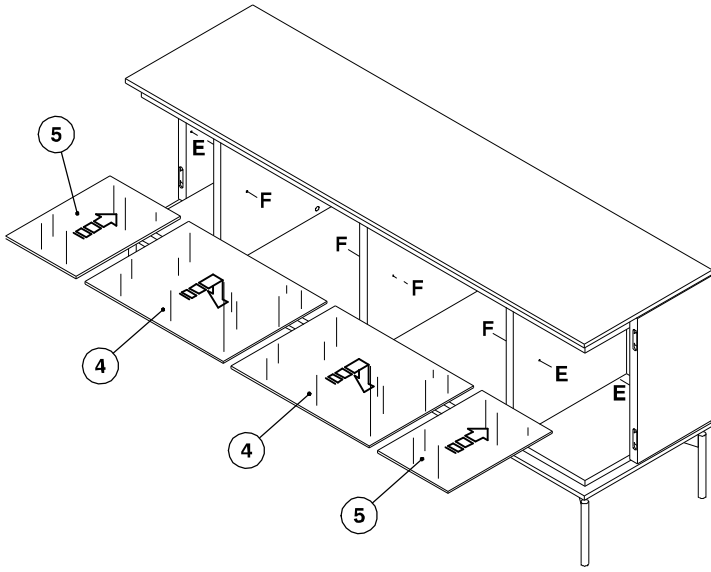
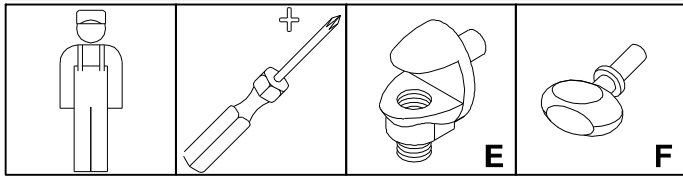
2



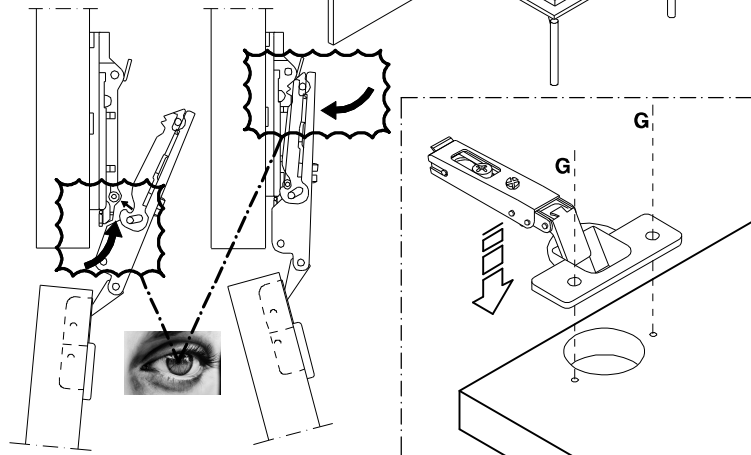
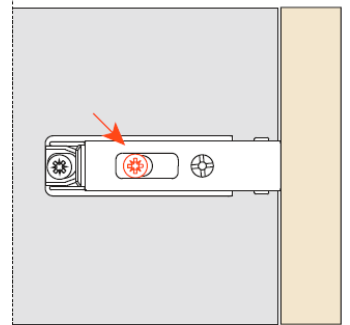
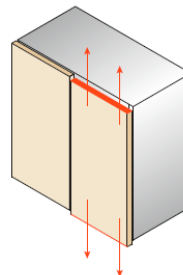
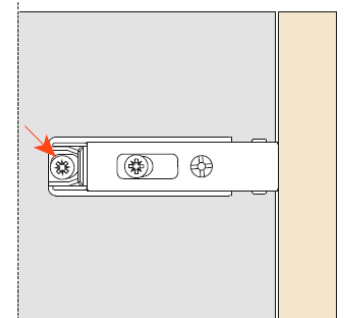
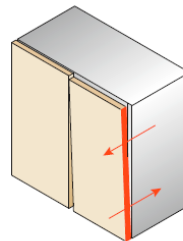
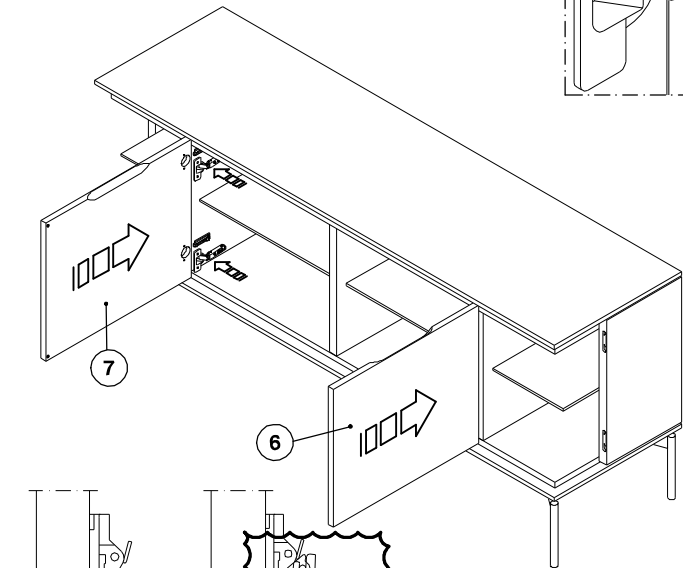
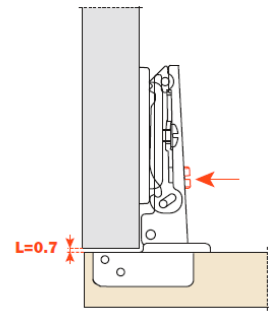
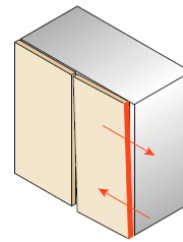
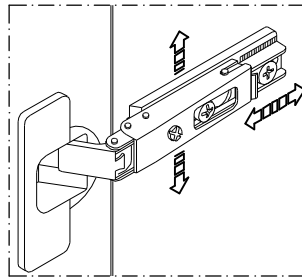
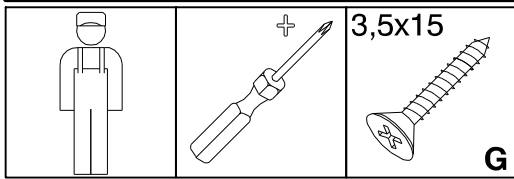
CH17

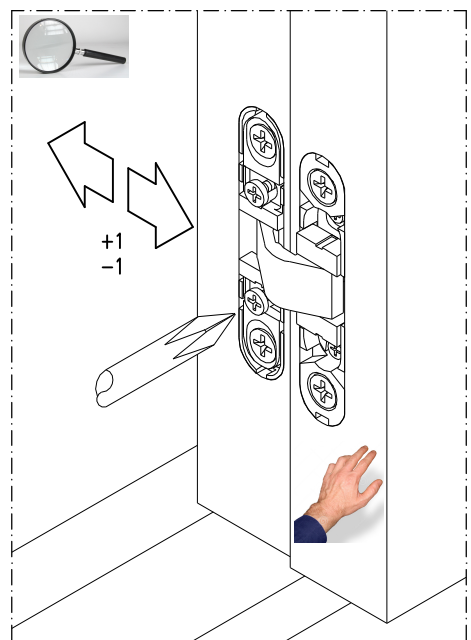
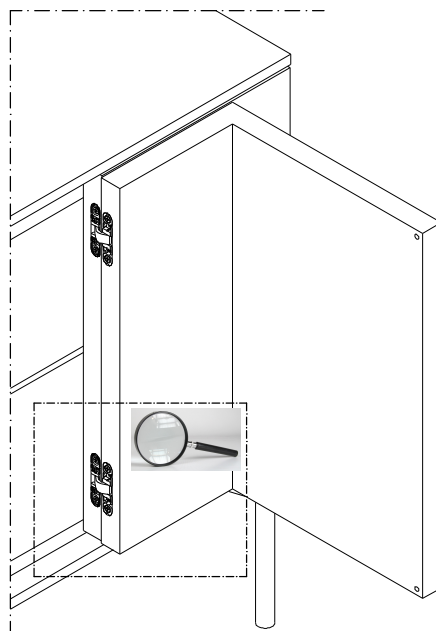
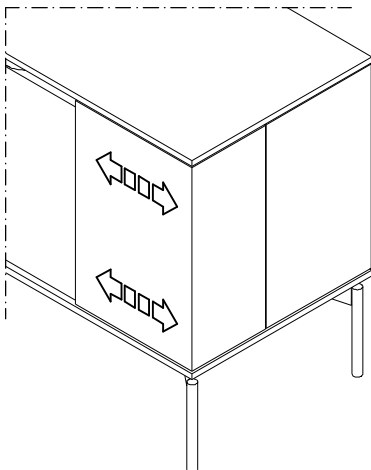
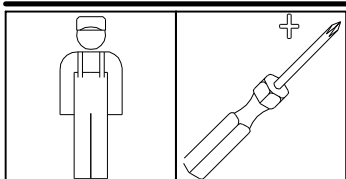
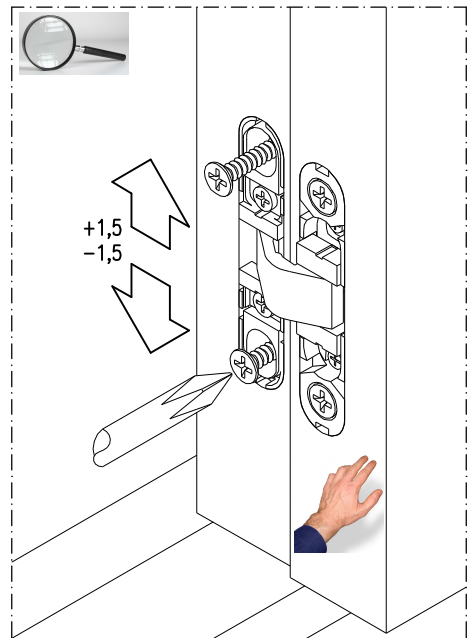
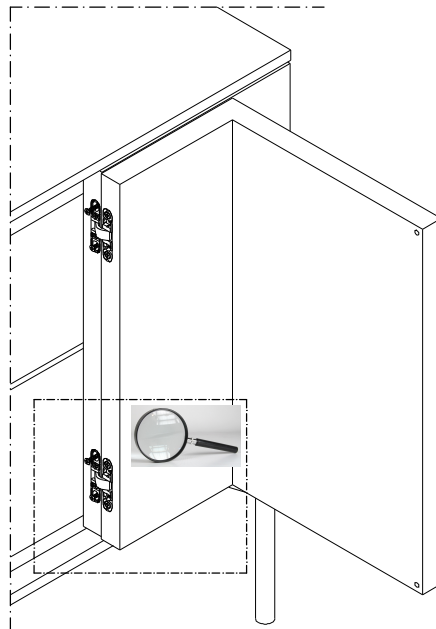
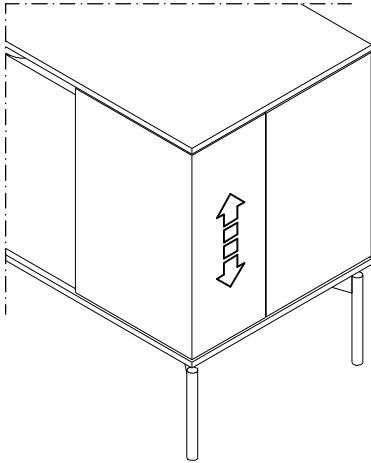
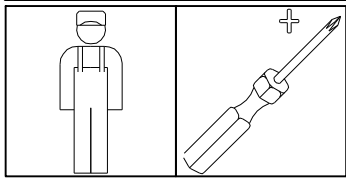
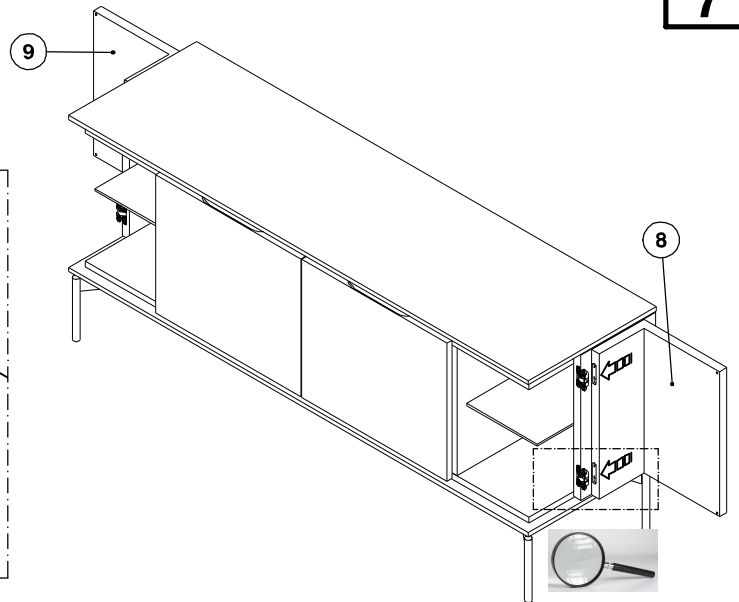
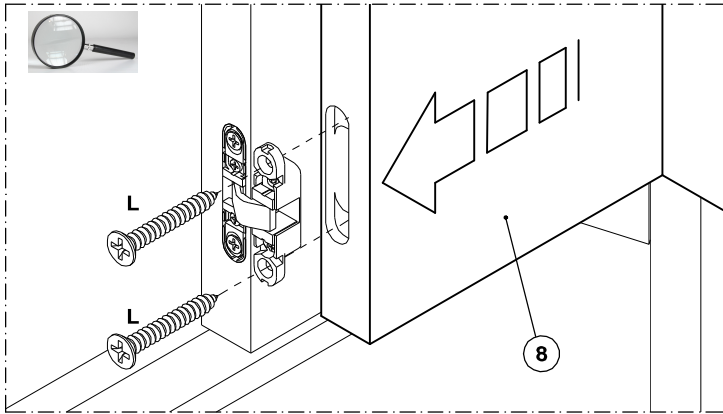
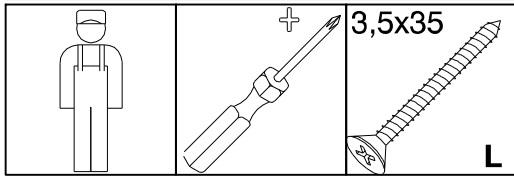


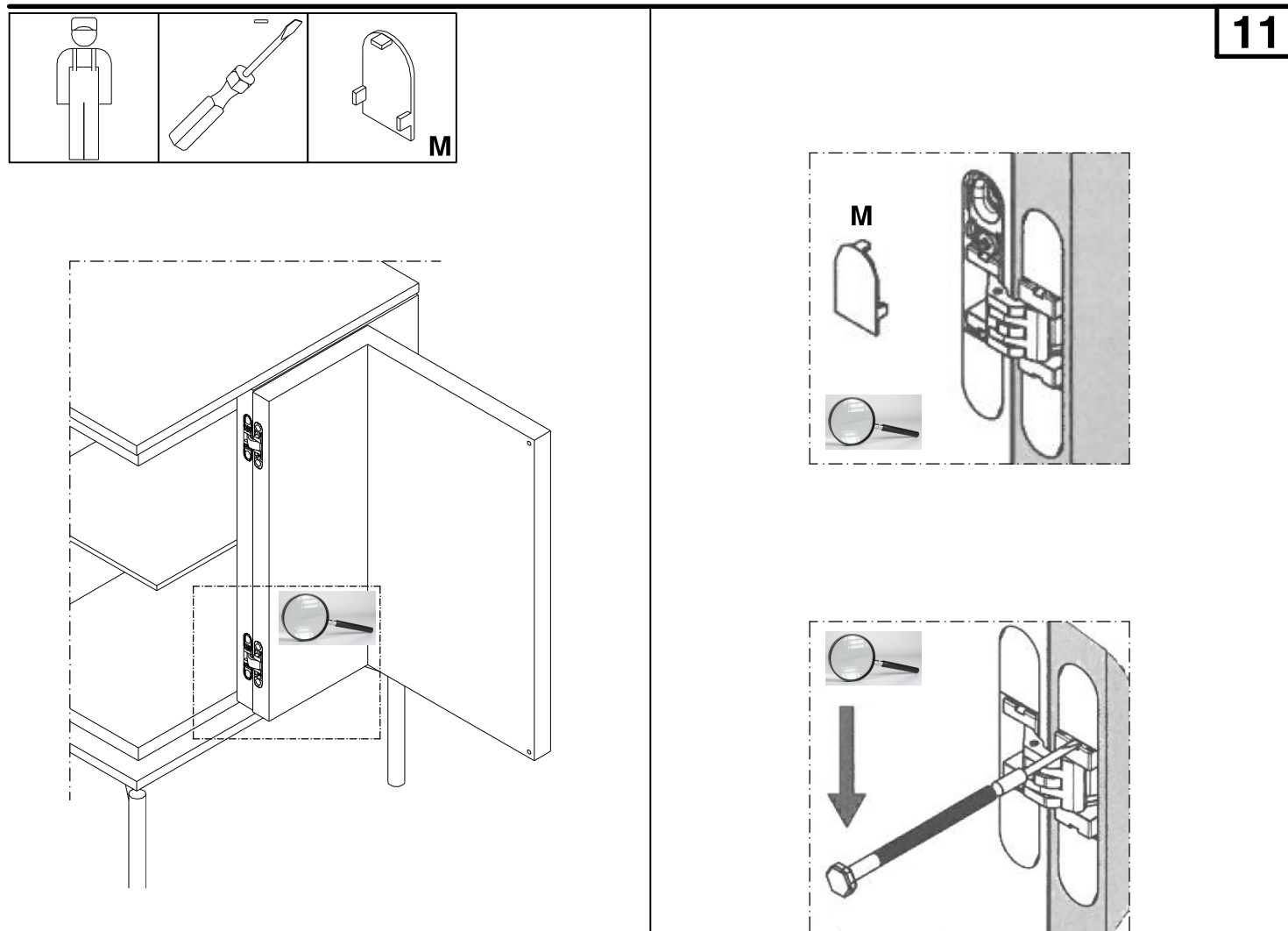
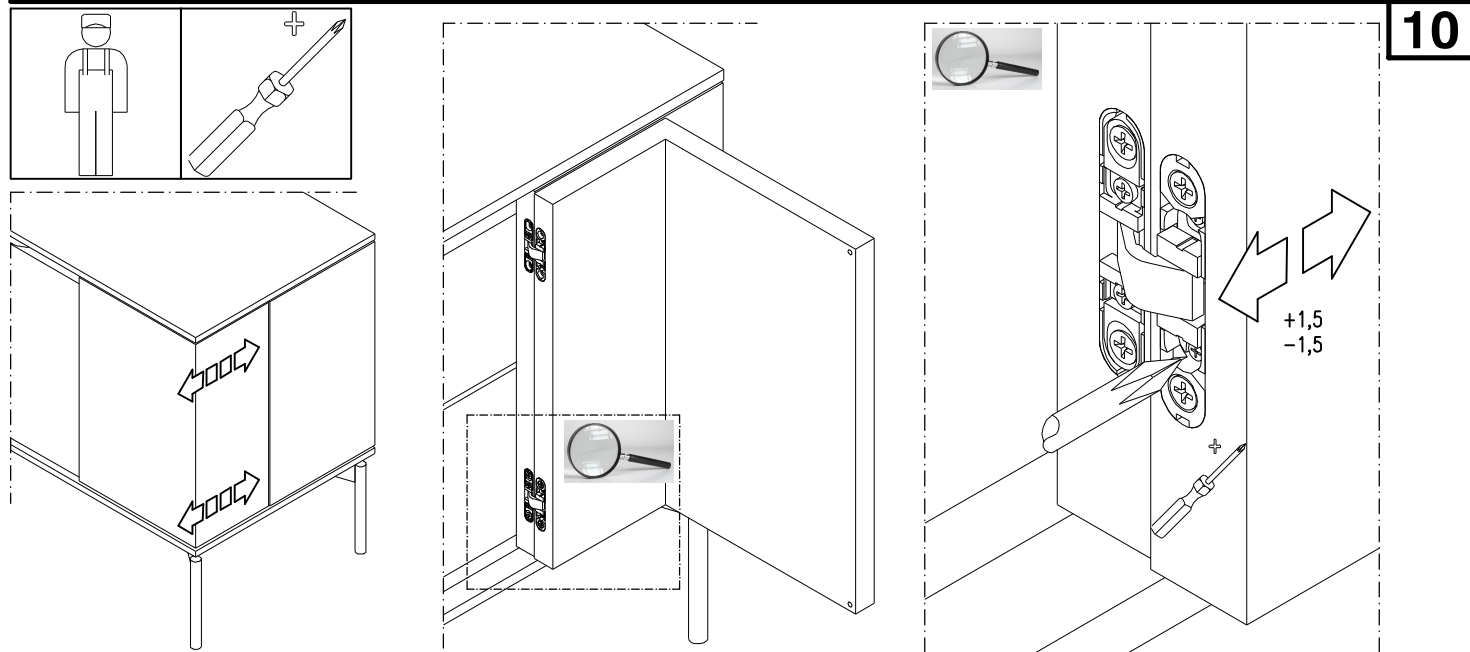
5

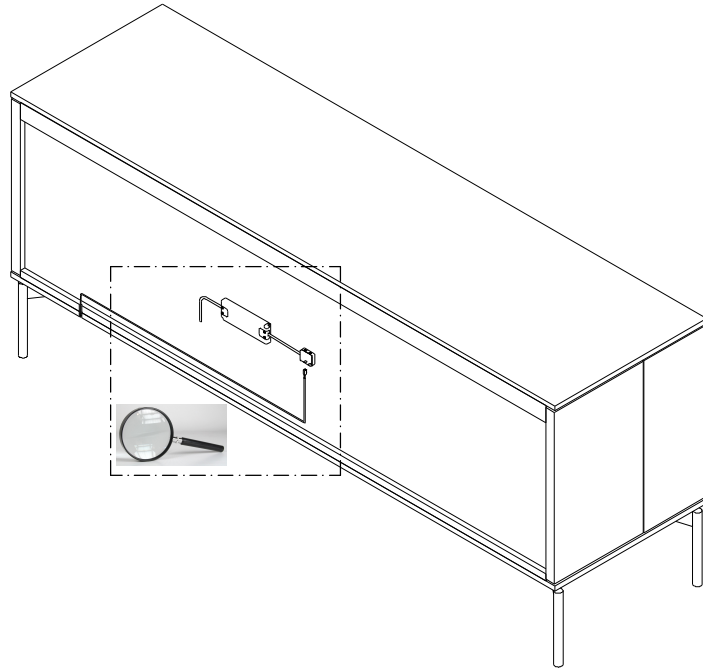
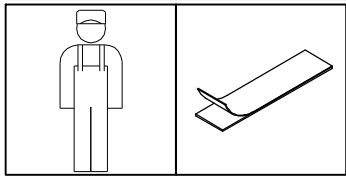


6

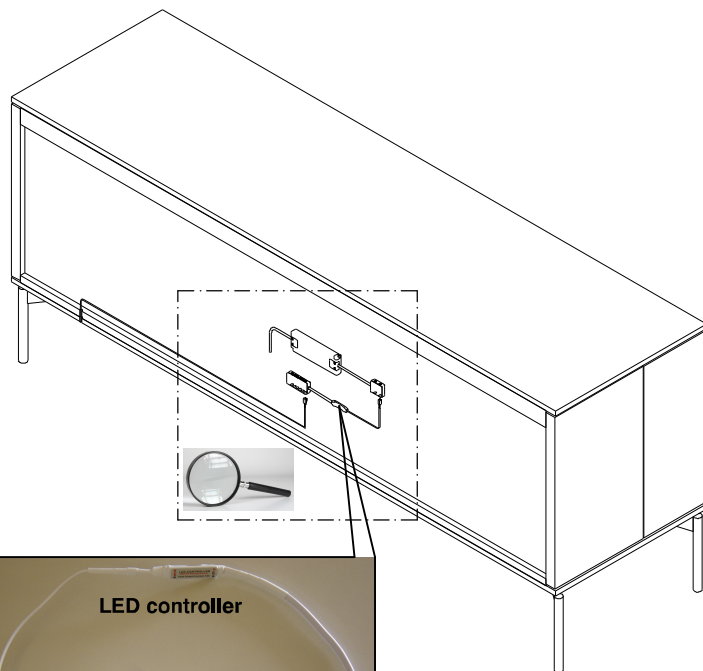
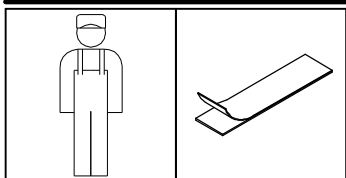
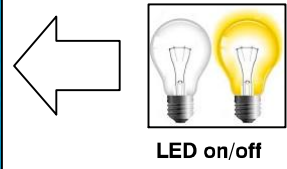
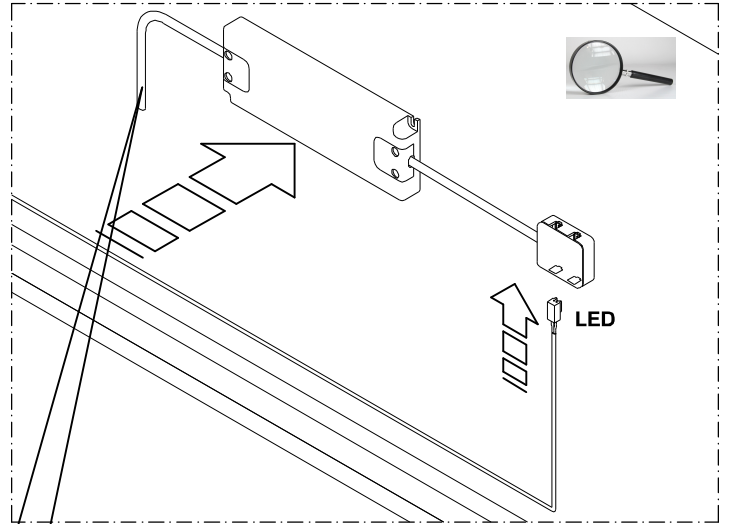




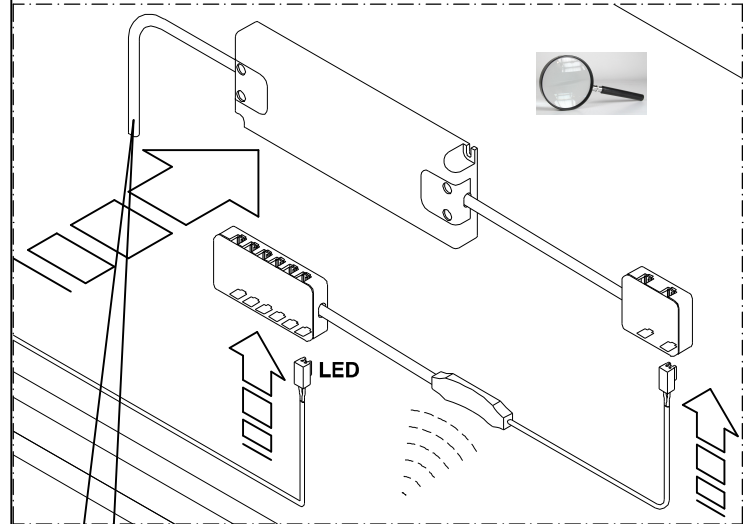




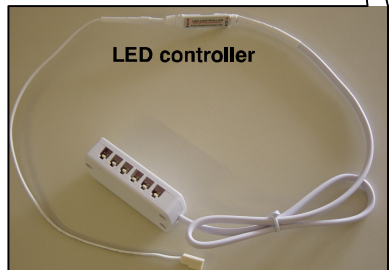
1

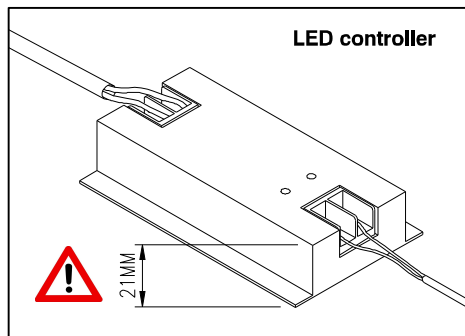
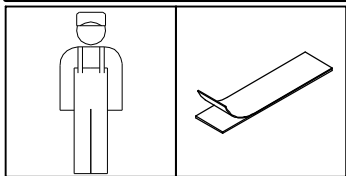


2

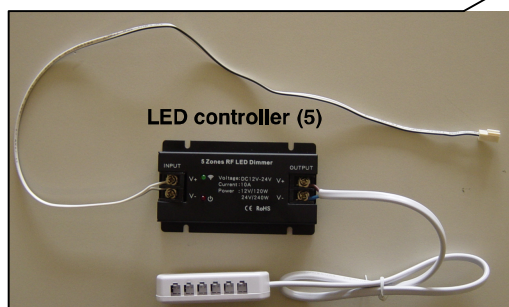


LED controller



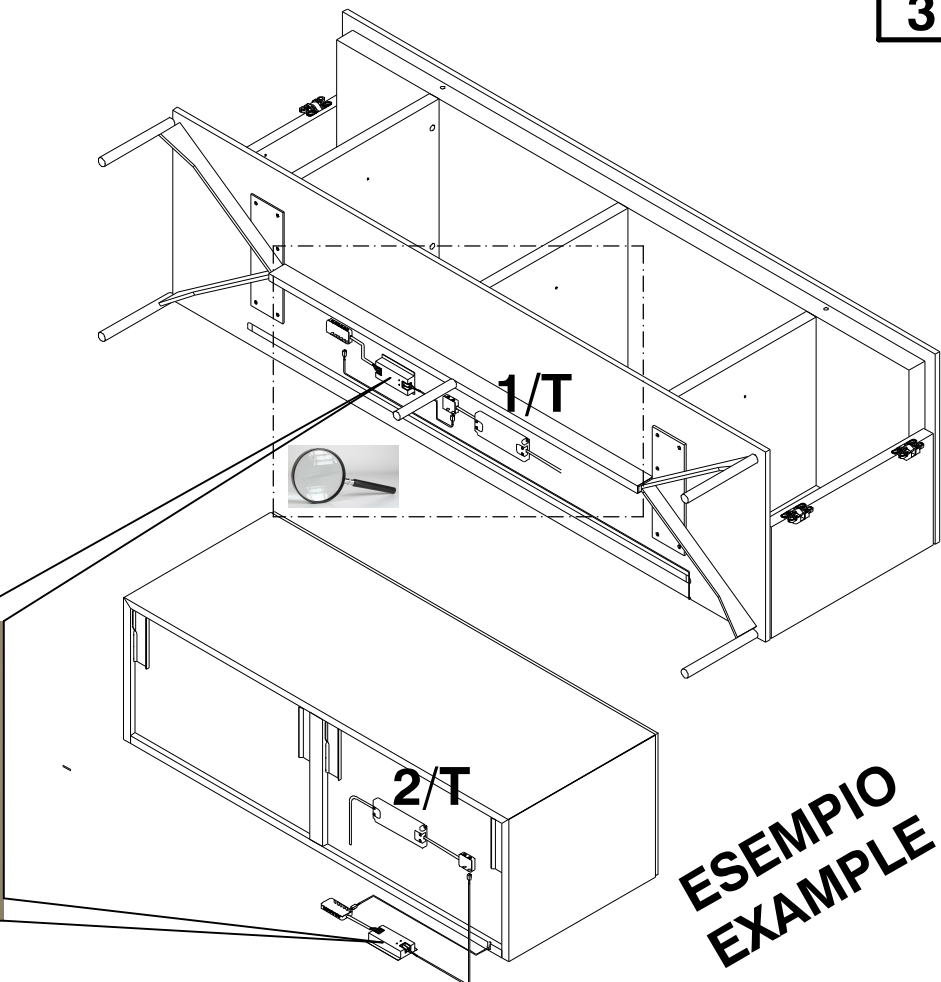


LED controller

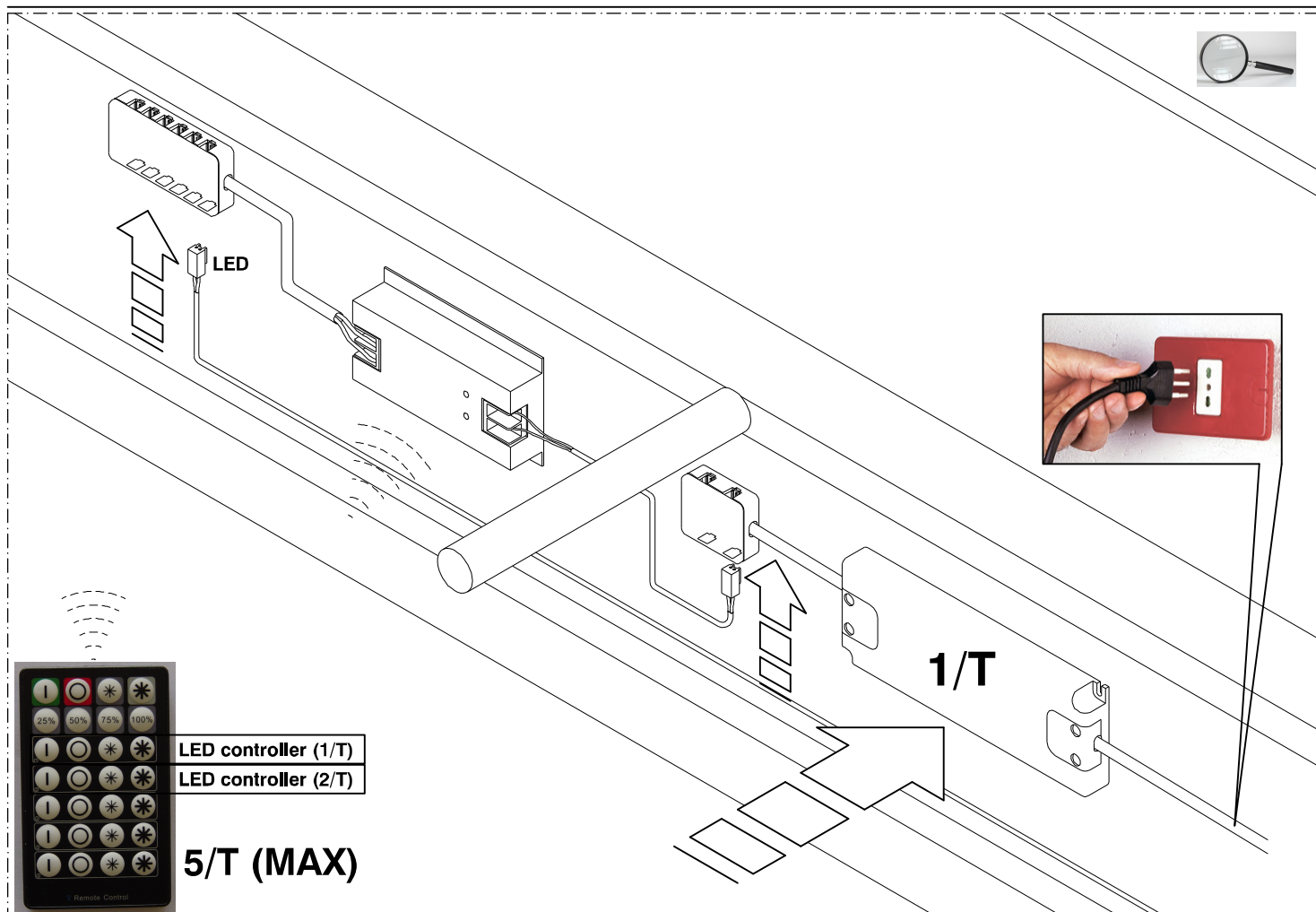


LED controller (5)

5/T (MAX)



ESEMPIO  
EXAMPLE



LED controller (1/T)

LED controller (2/T)

5/T (MAX)