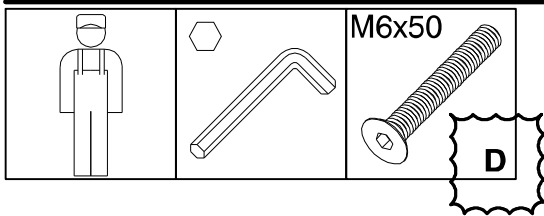
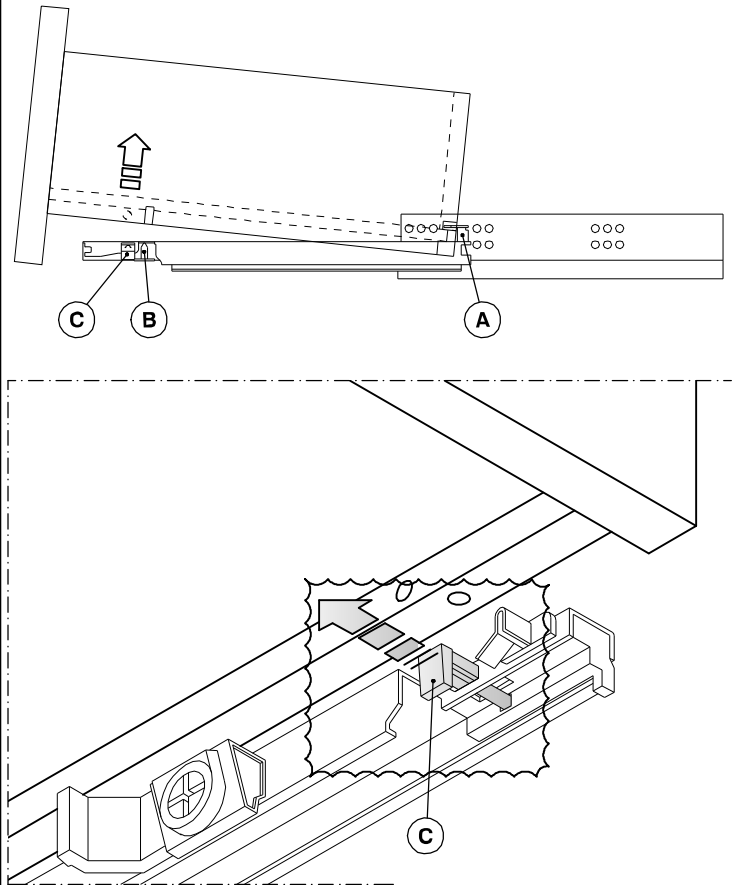
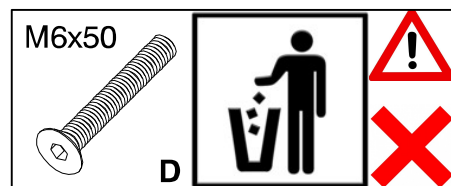
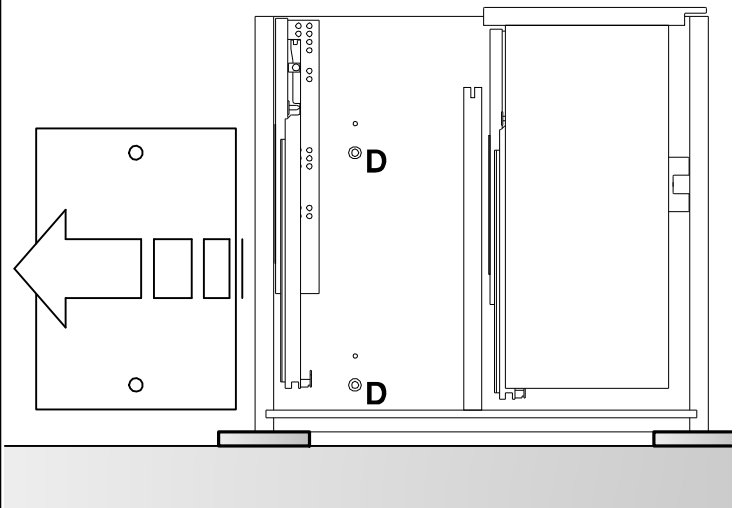
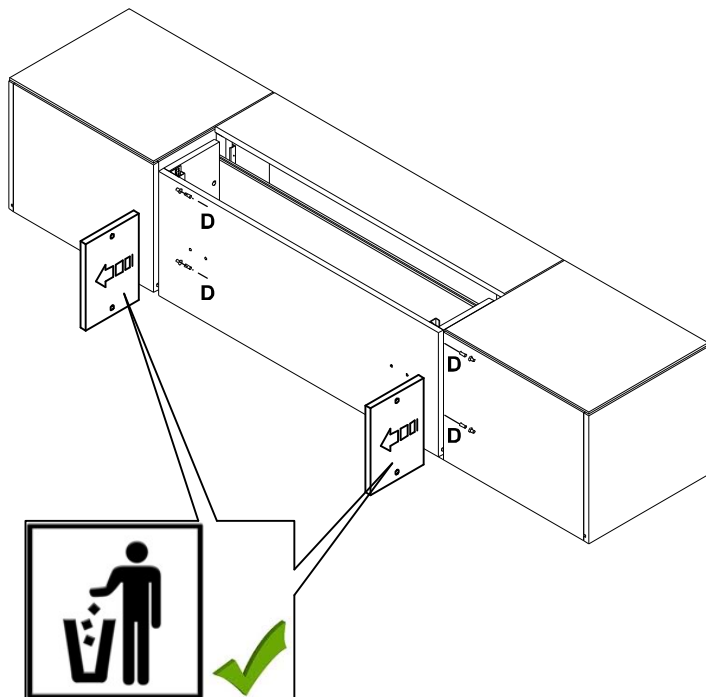


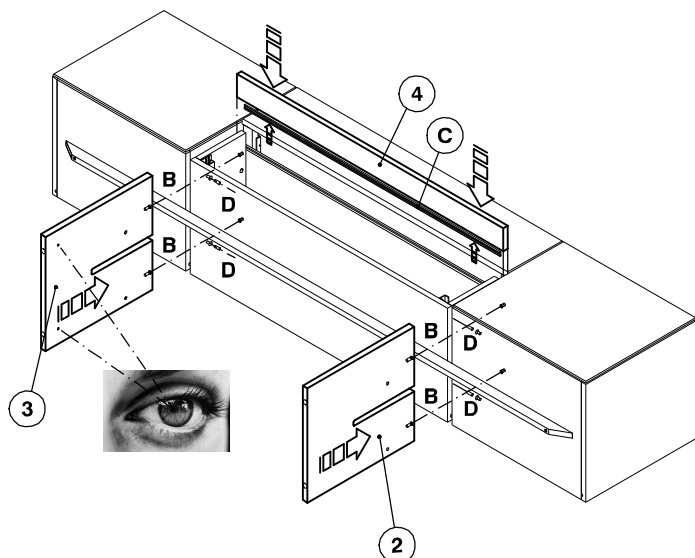
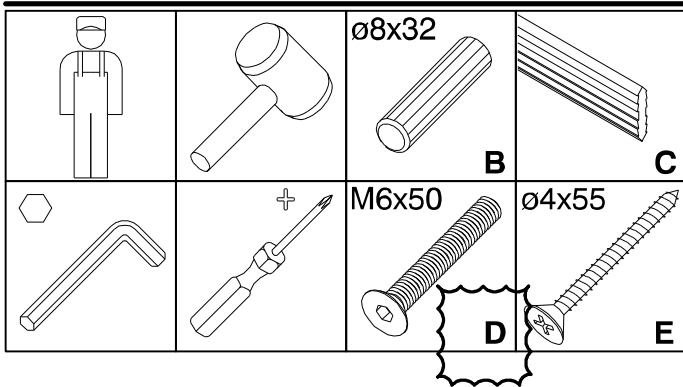
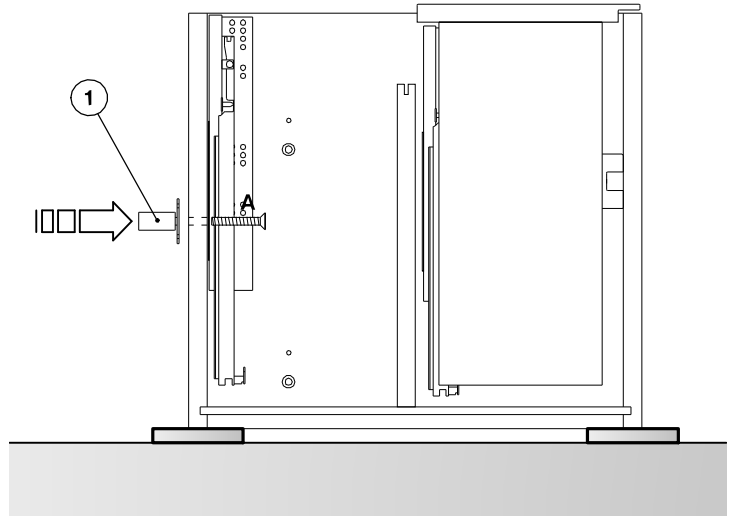
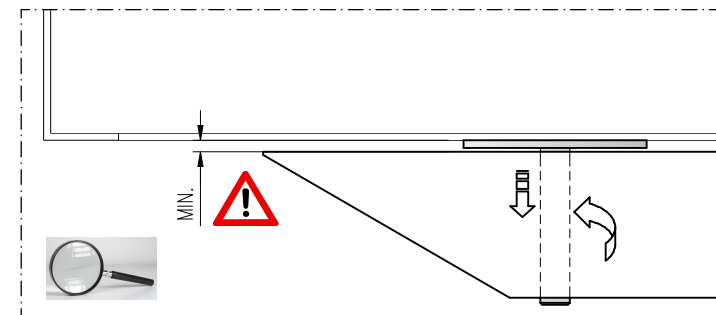
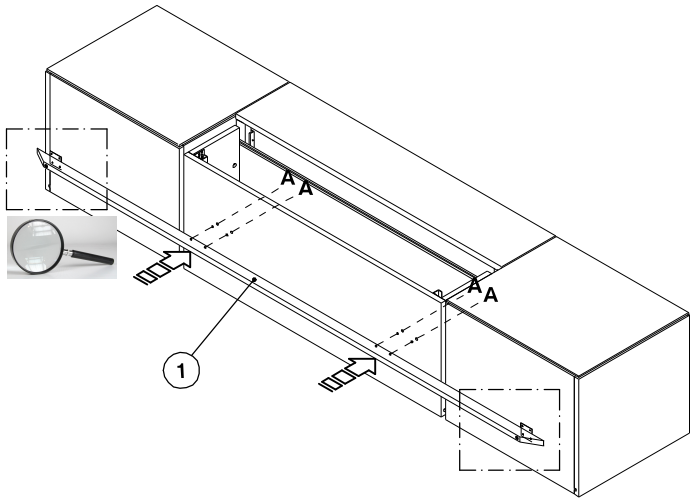
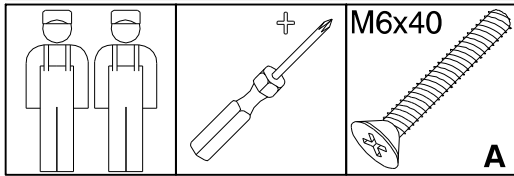
1



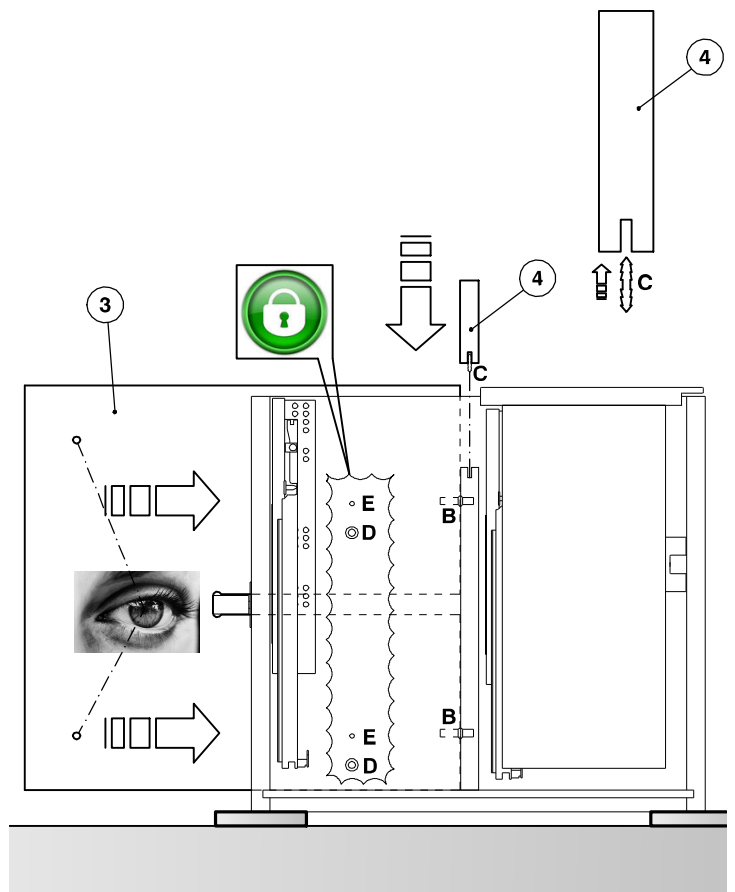
2

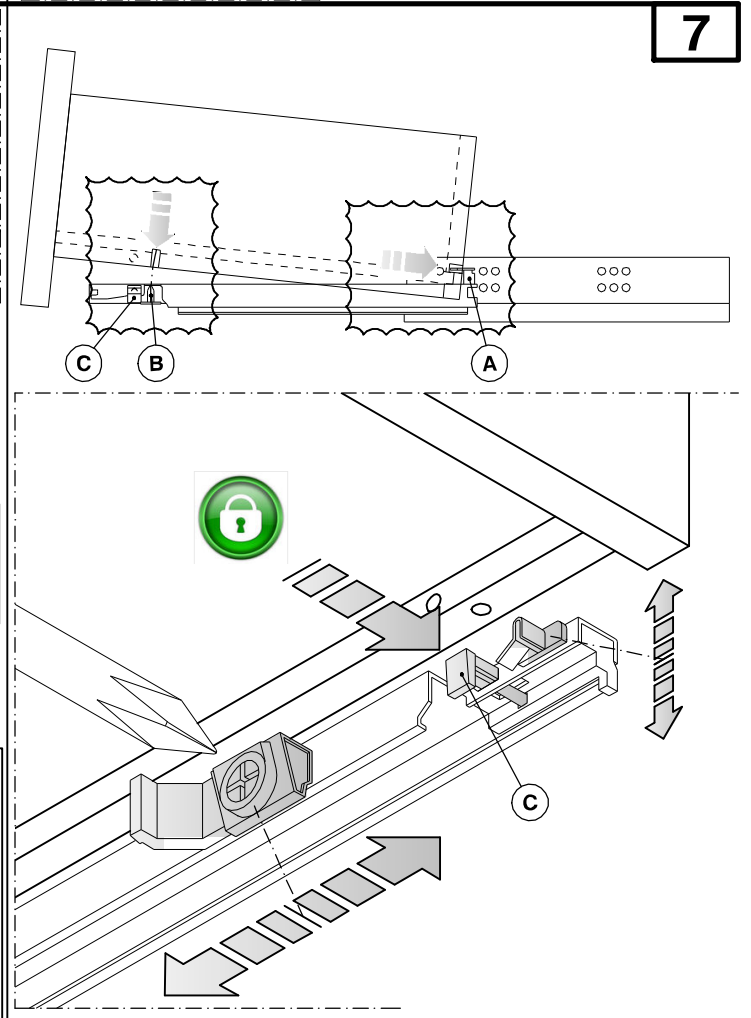
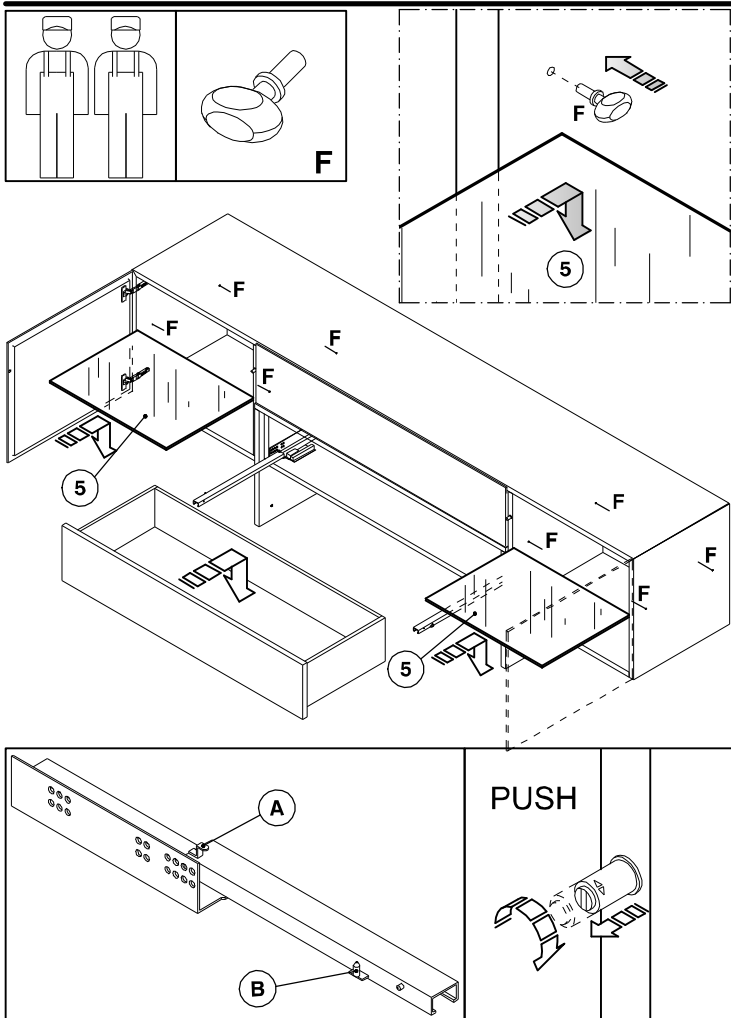
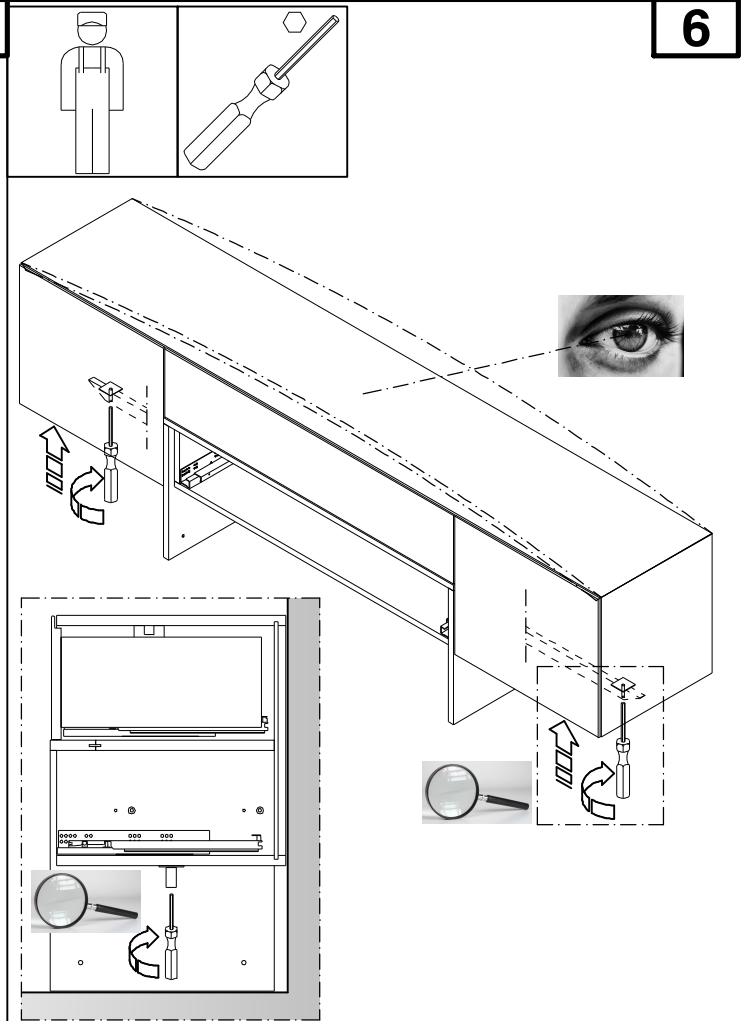
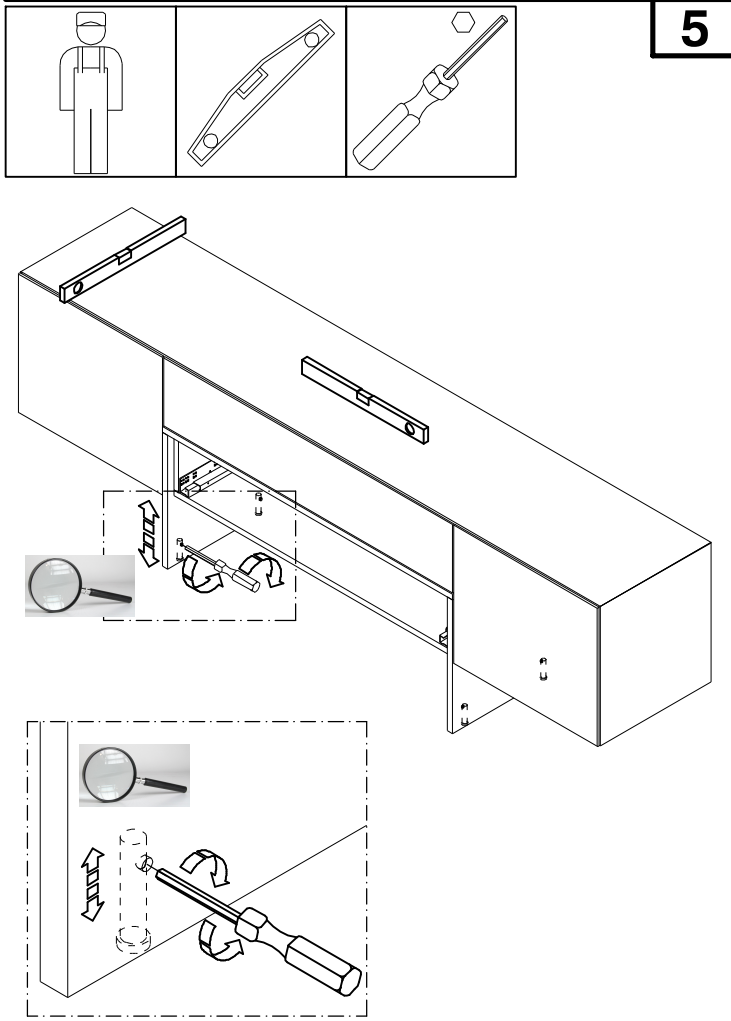


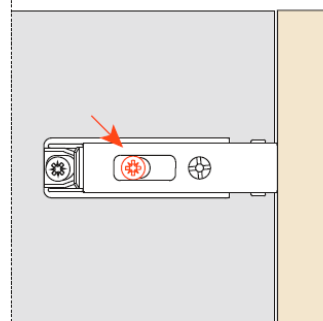
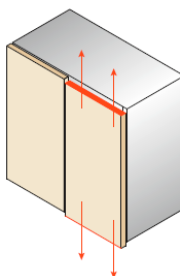
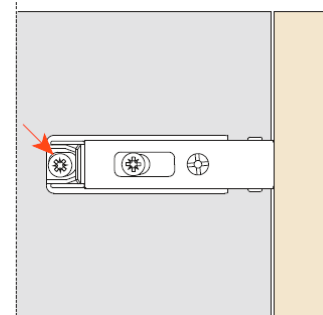
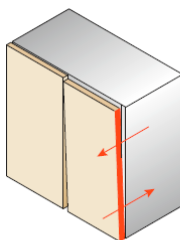
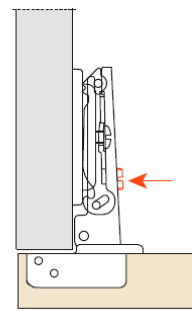
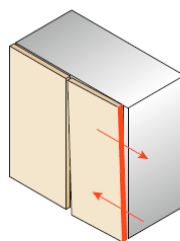
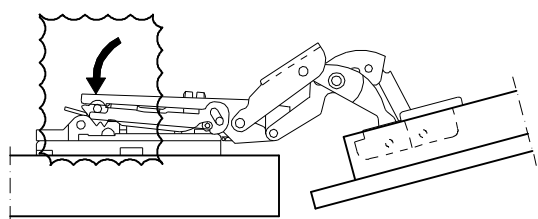
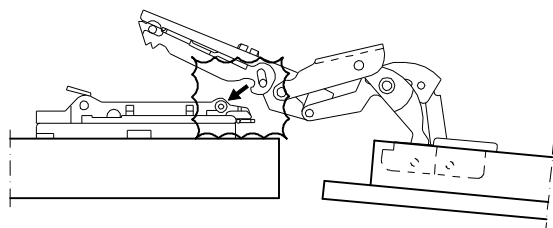
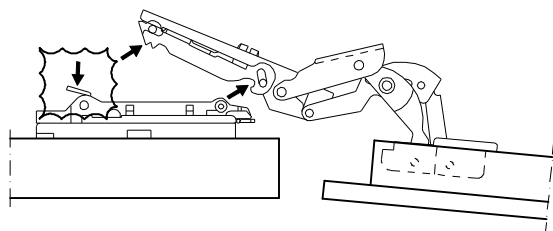
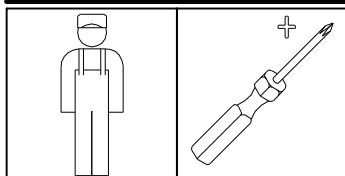
3



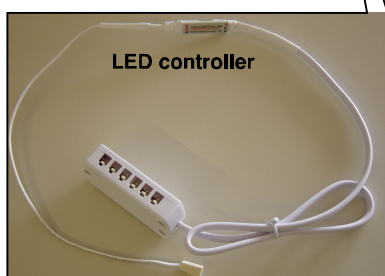
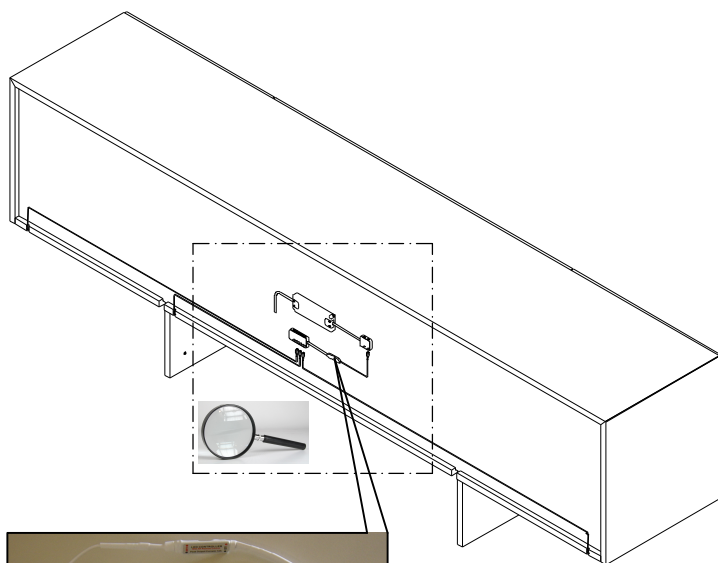
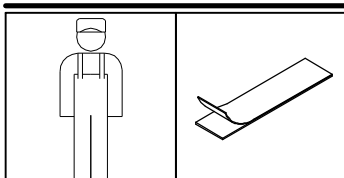
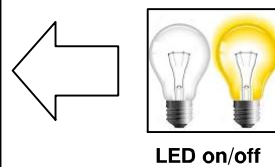
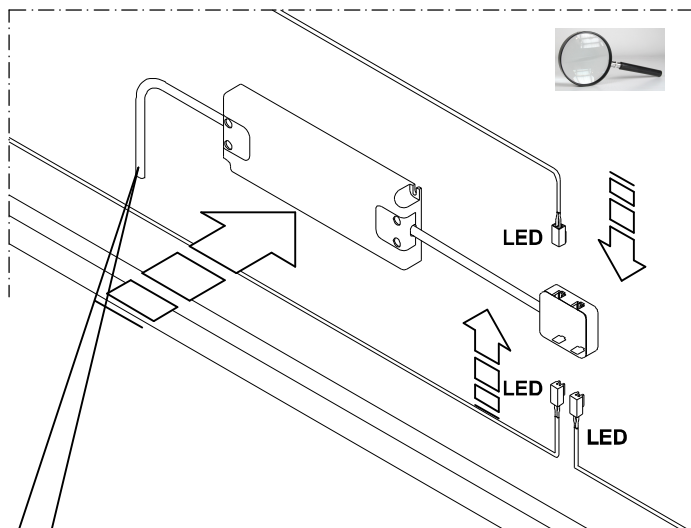
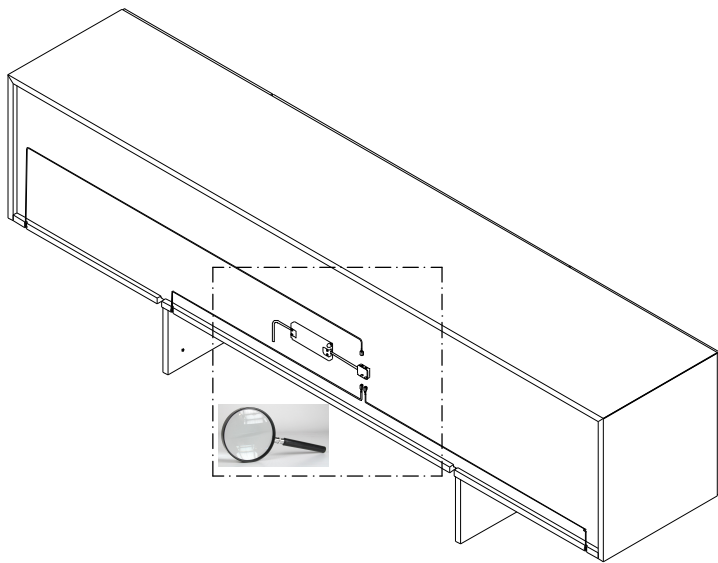
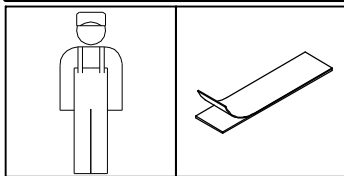
4



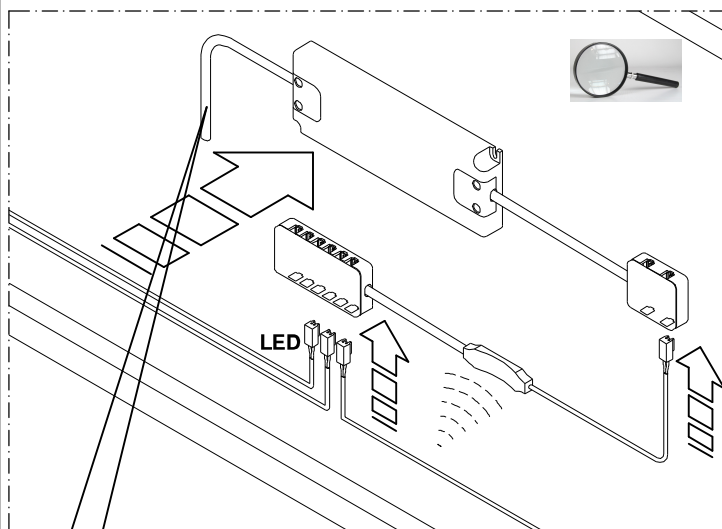




1

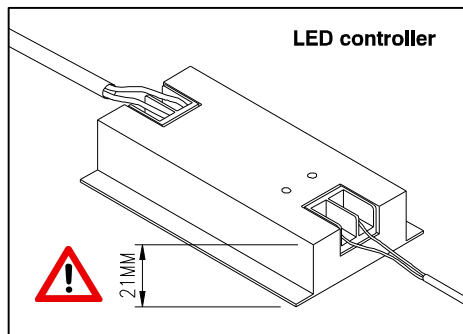
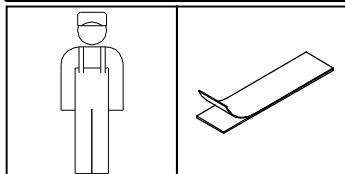


2

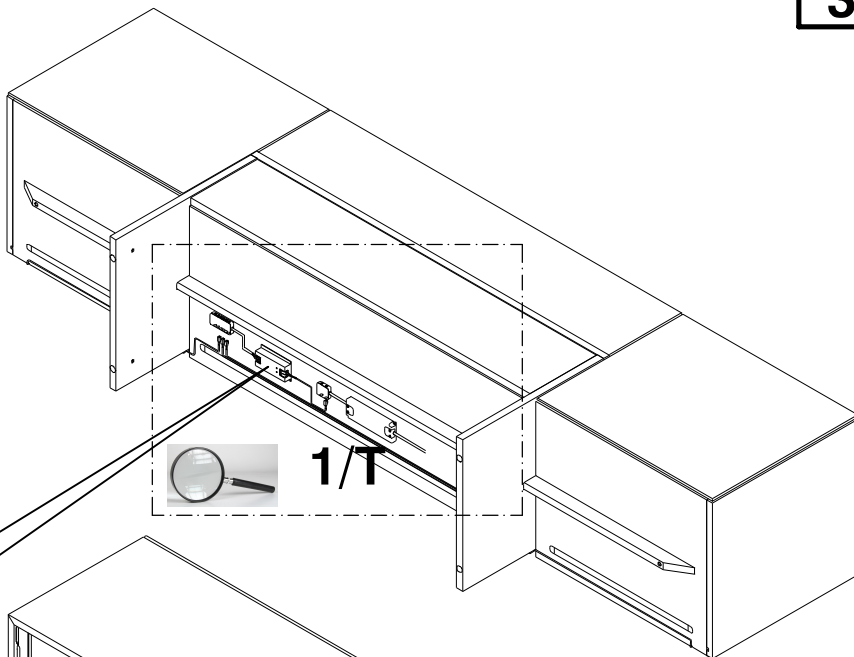


LED controller

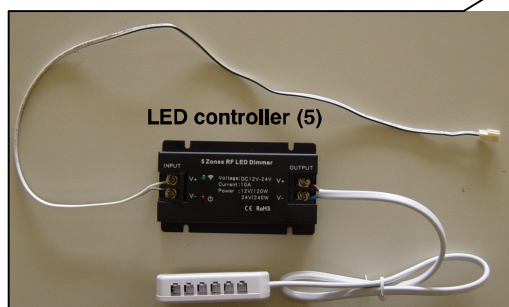




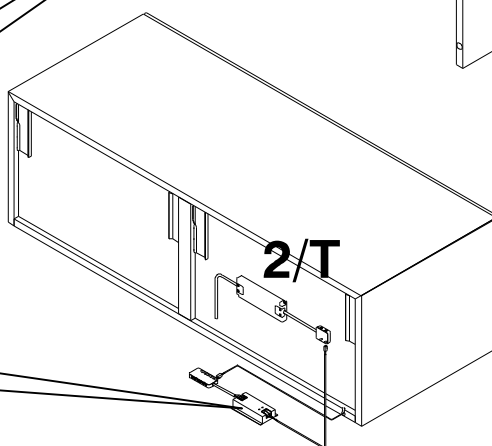
LED controller



1/T



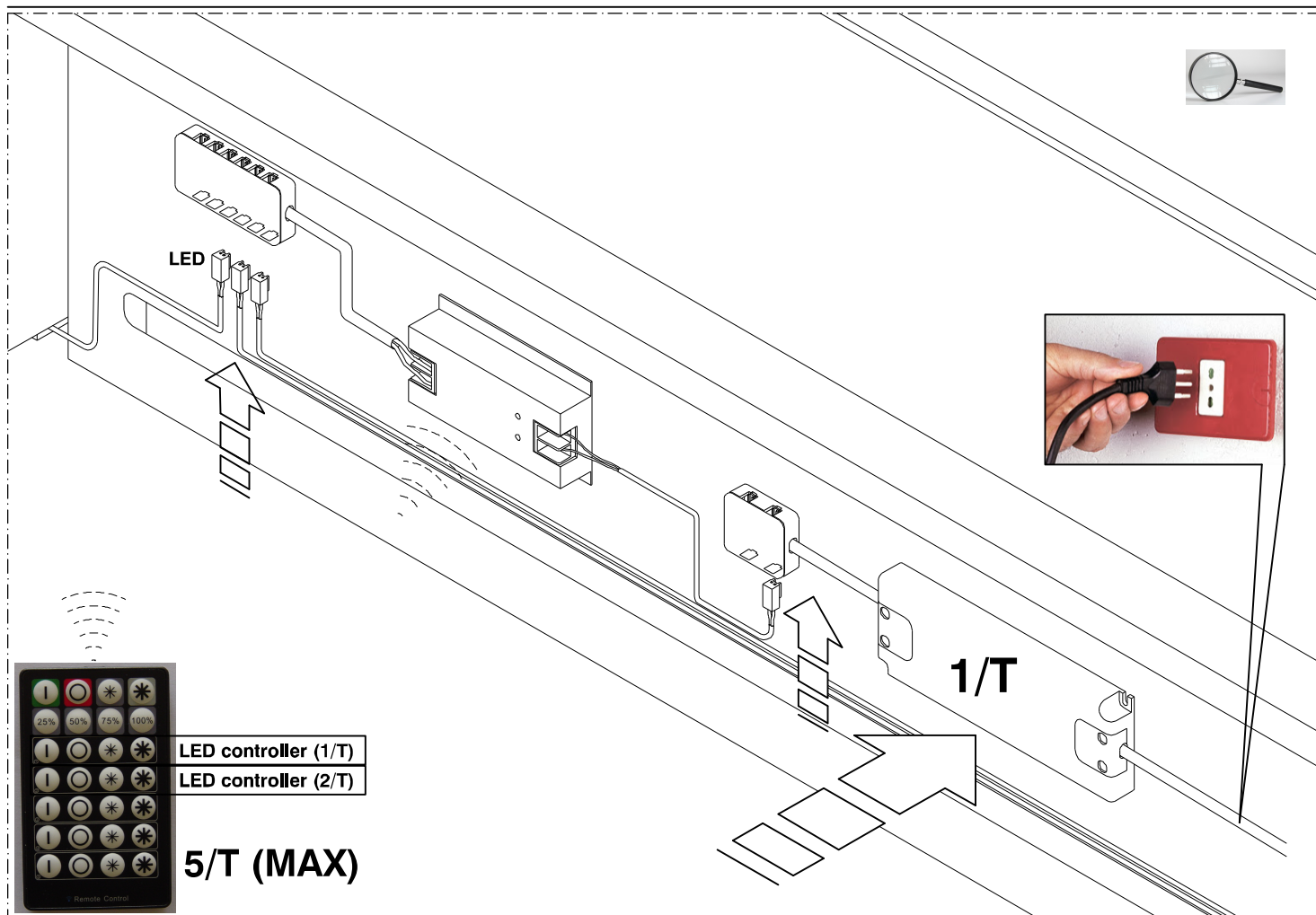
LED controller (5)



2/T

ESEMPIO  
EXAMPLE

5/T (MAX)



1/T

LED controller (1/T)

LED controller (2/T)

5/T (MAX)

