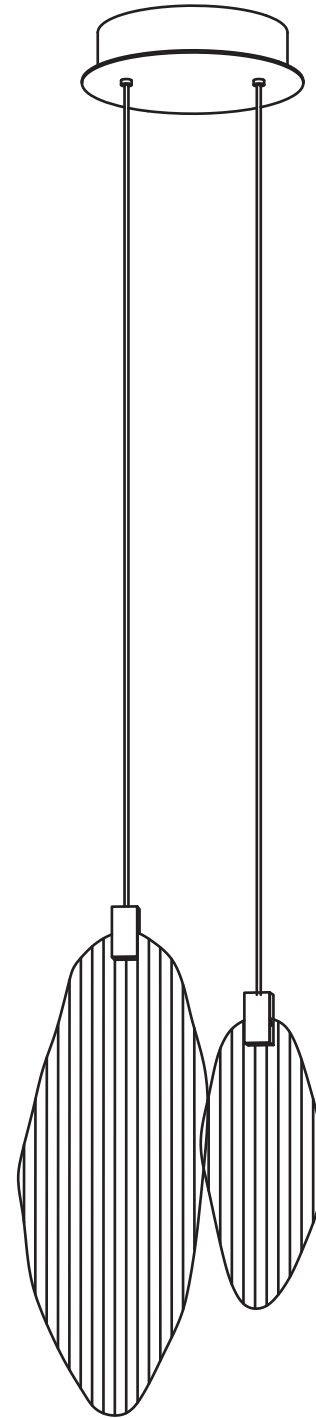


**TERZANI**  
LA LUCE PENSATA

**Harpe 2 light pendant**  
**0W024S-AT**





HARPE

CODE 0W024S -- -- AT  
3000K

220-240V ~ 50/60Hz MAX 4.2W

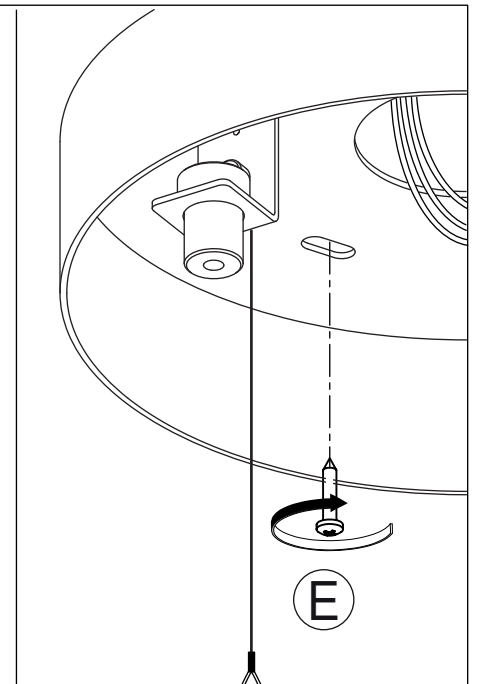
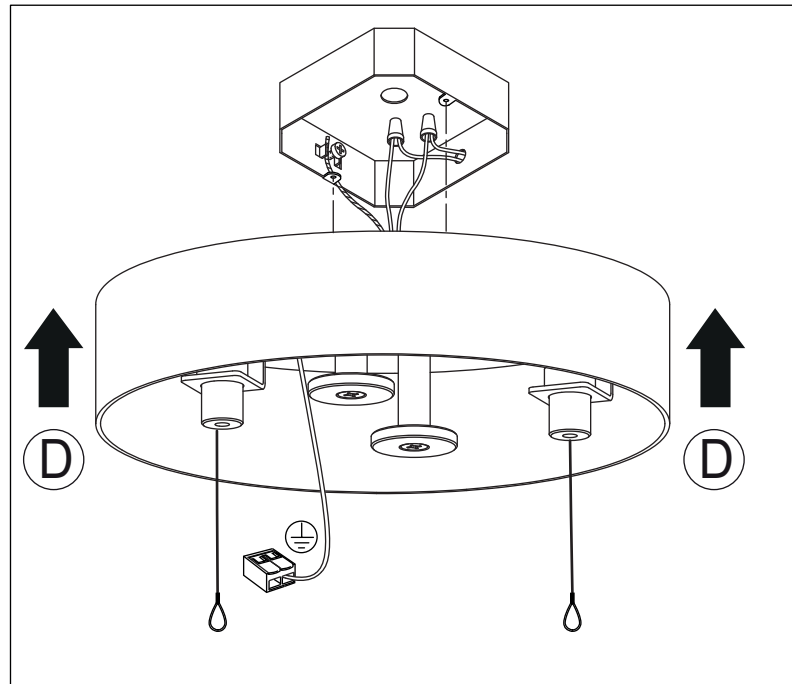
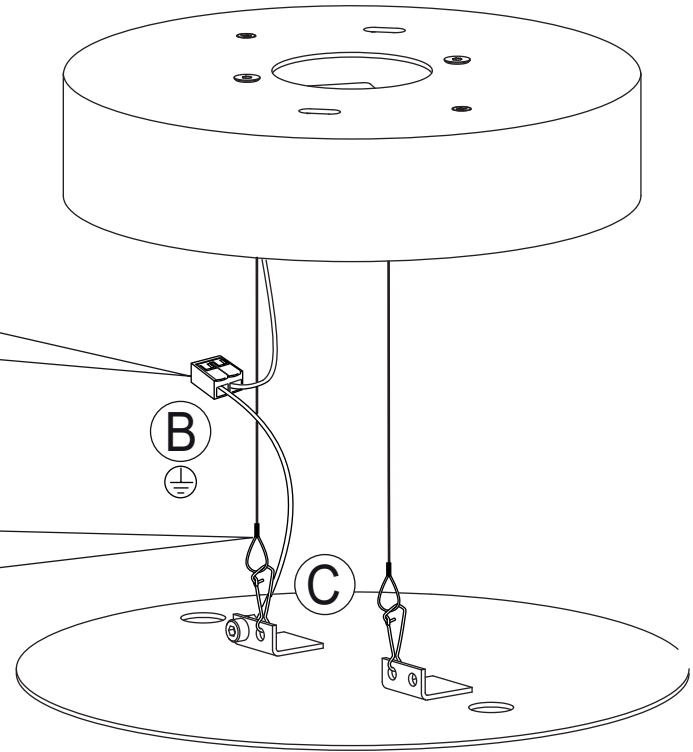
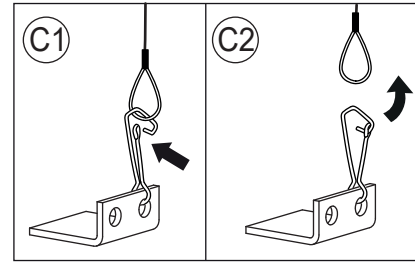
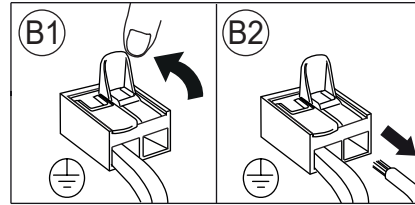
700mA 2xMAX 2.1W

integrated LED



3.8Kgf  
8.4Lbs

x2



# TERZANI

LA LUCE PENSATA

HARPE

CODE 0W024S -- AT  
3000K

220-240V ~ 50/60Hz MAX 4.2W

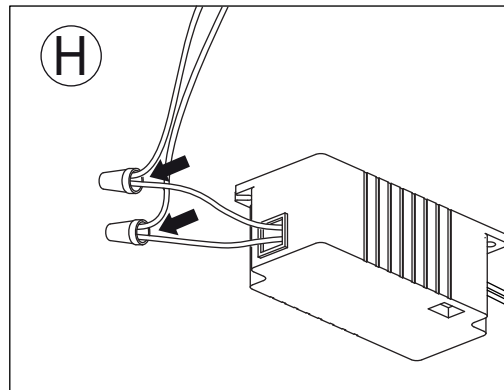
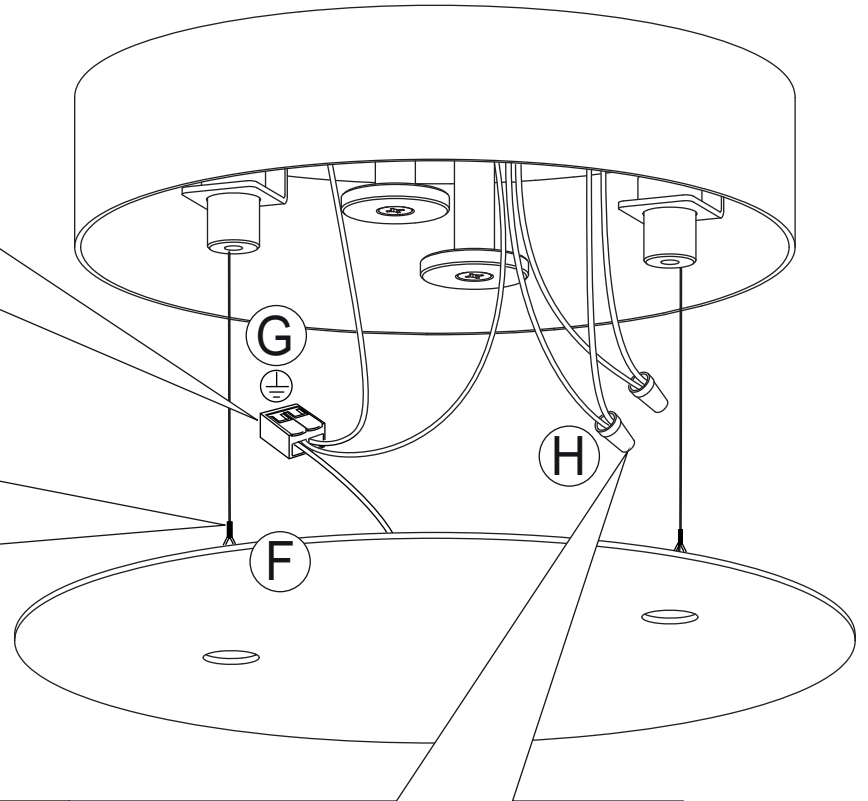
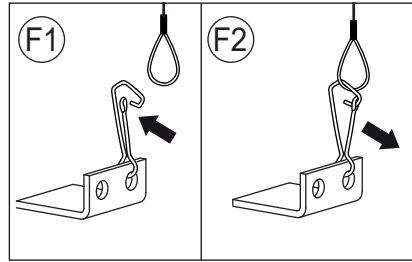
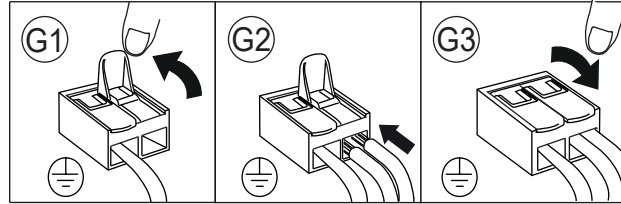
700mA 2xMAX 2.1W

integrated LED

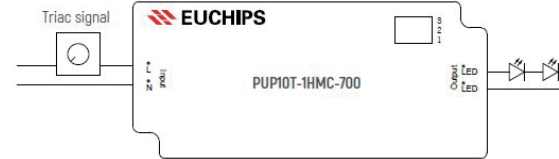


3.8Kgf  
8.4Lbs

x2



Wiring Diagram



# TERZANI

LA LUCE PENSATA

HARPE

CODE 0W024S -- AT  
3000K

220-240V ~ 50/60Hz MAX 4.2W

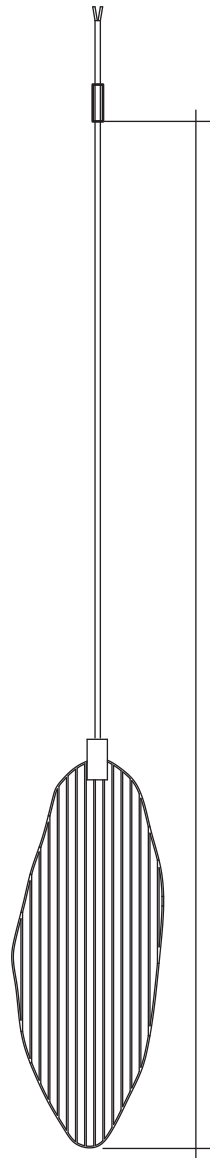
700mA 2xMAX 2.1W

integrated LED

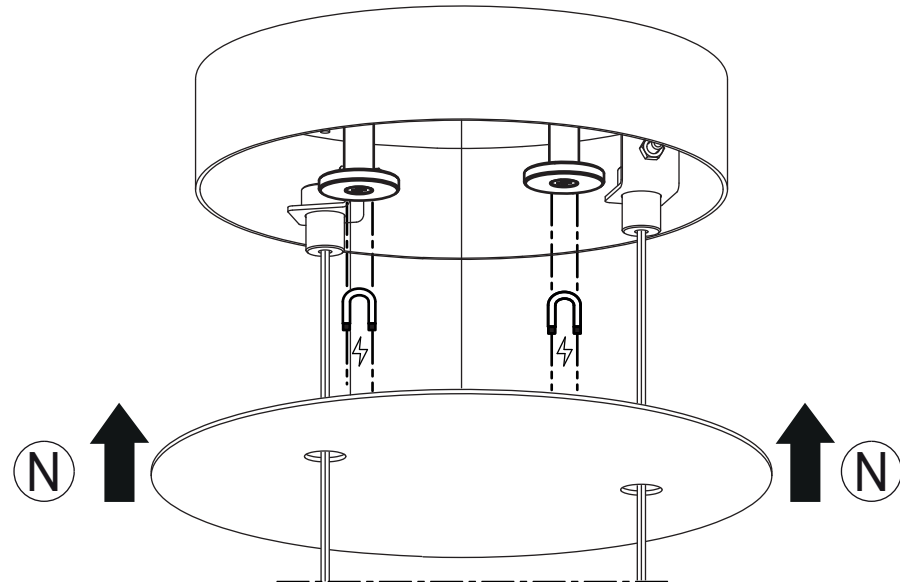
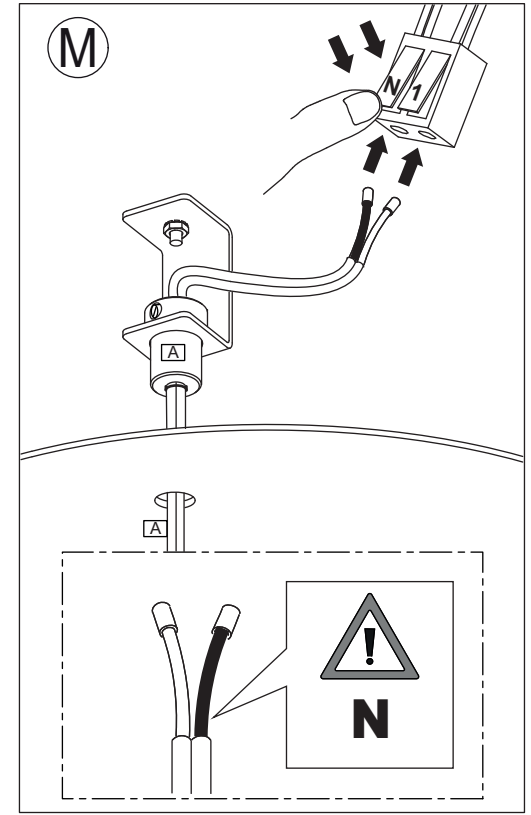
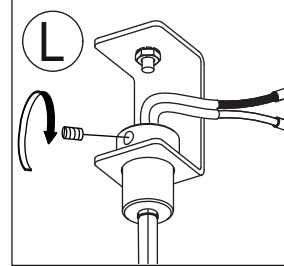
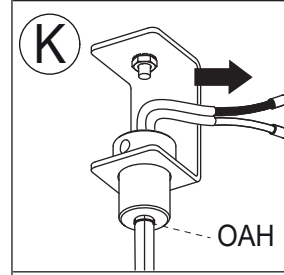
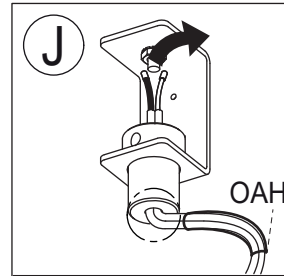
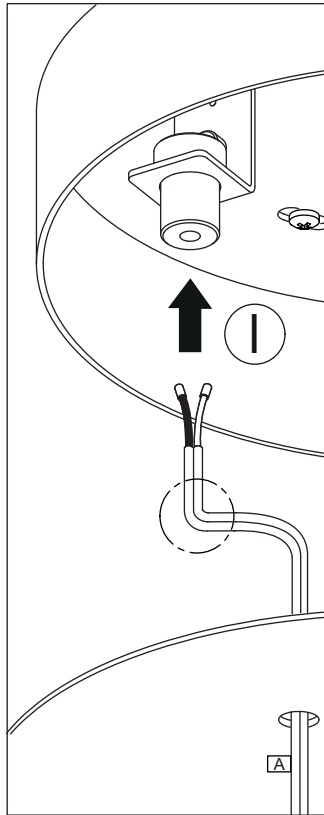


3.8Kgf  
8.4Lbs

x2



OAH



# TERZANI

LA LUCE PENSATA

HARPE

CODE 0W024S -- -- AT  
3000K

220-240V ~ 50/60Hz MAX 4.2W

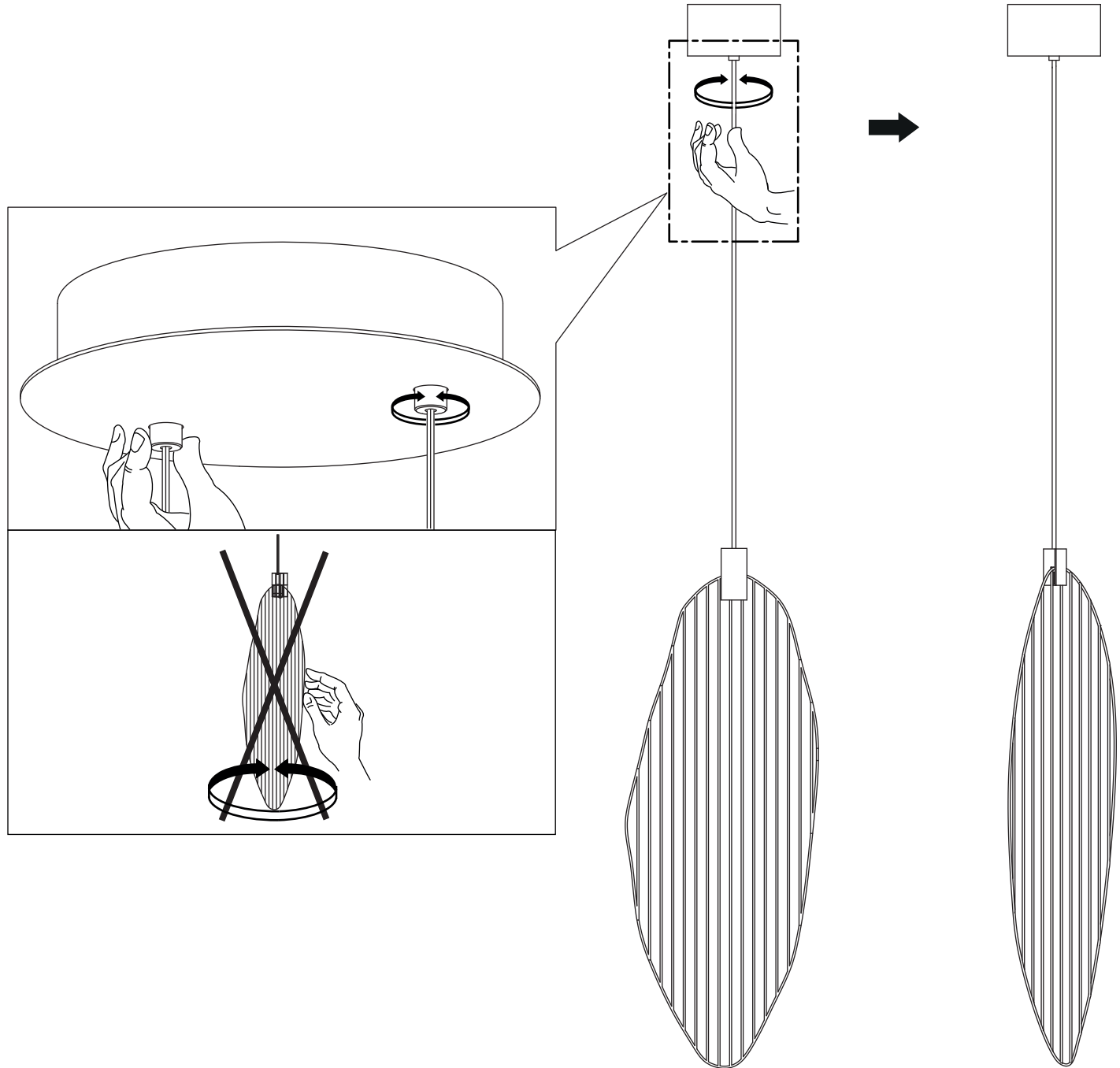
700mA 2xMAX 2.1W

integrated LED



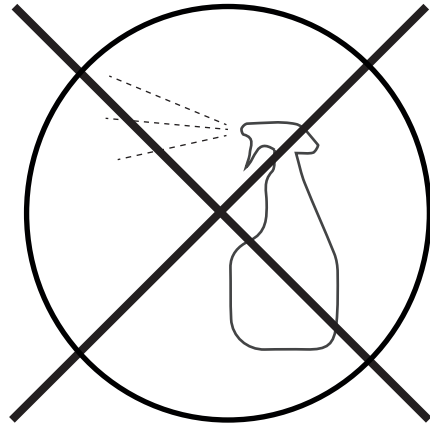
3.8Kgf  
8.4Lbs

x2



# CLEANING INSTRUCTIONS

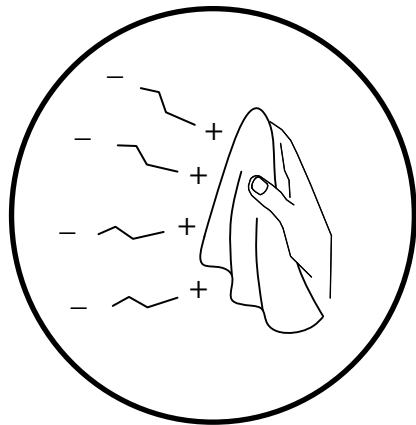
**NO**



**US** Do not use chemical products

**C** Ne pas utiliser des produits chimiques

**YES**



**US** Use dry electrostatic cloth

**C** Utiliser un chiffon électrostatique sec

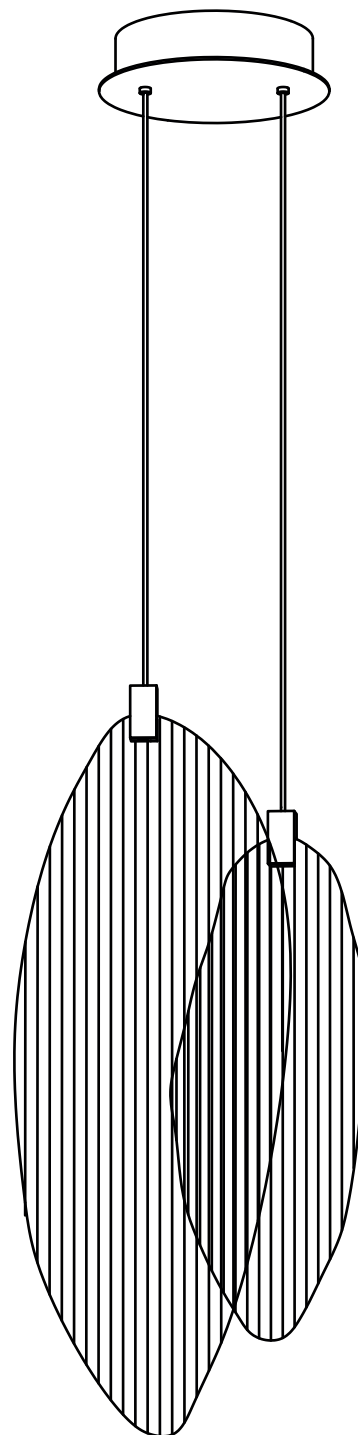


**US** Keep these instructions for maintenance | **C** Garder ces instructions pour l'entretien

**TERZANI**  
LA LUCE PENSATA

**Harpe 2 light pendant**

**0W025S-AT**





HARPE

CODE 0W025S -- -- AT  
3000K

220-240V ~ 50/60Hz MAX 4.2W

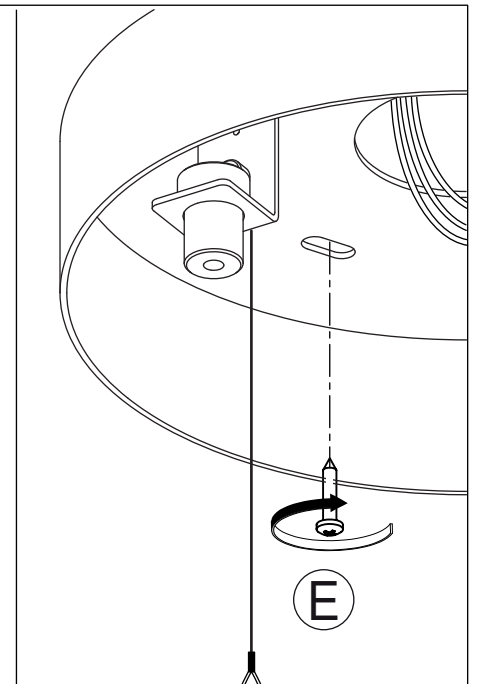
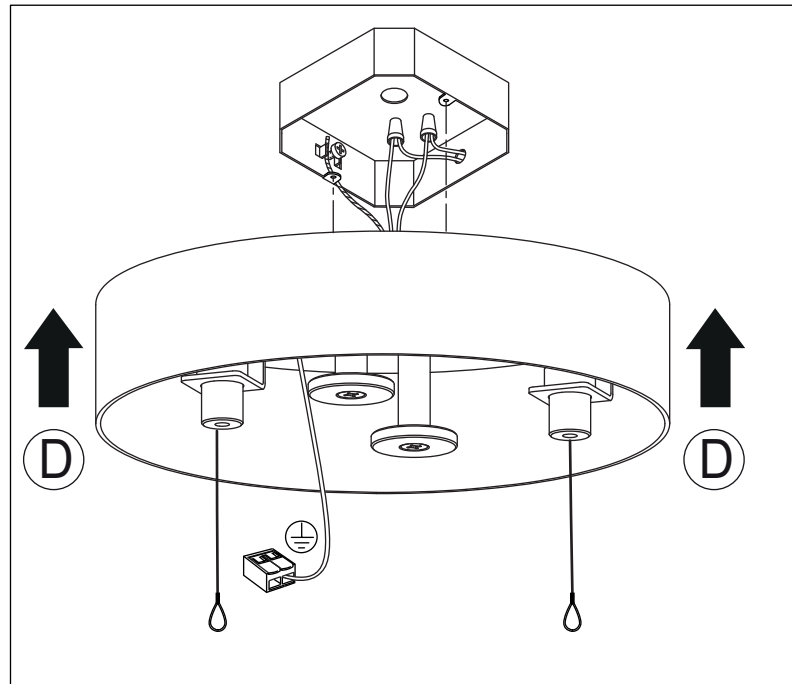
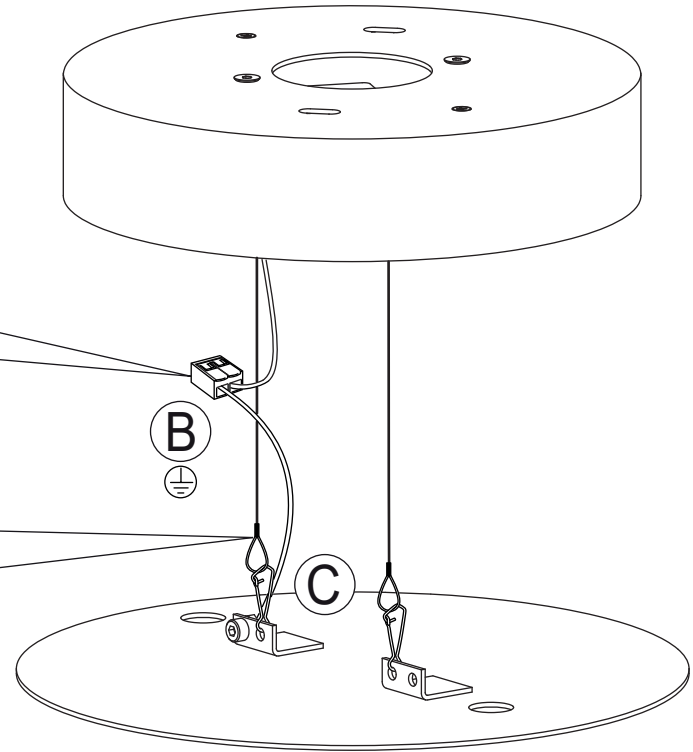
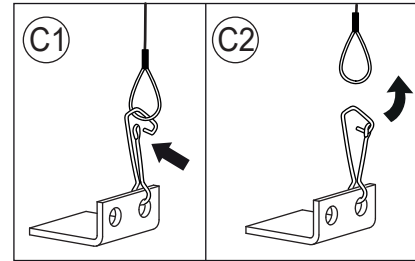
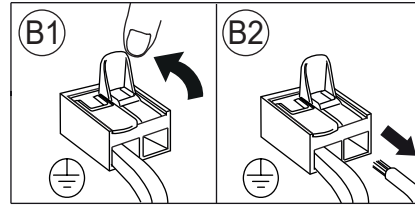
700mA 2xMAX 2.1W

integrated LED



5.6Kgf  
12.3Lbs

x2



# TERZANI

LA LUCE PENSATA

**HARPE**

**CODE 0W025S -- AT**  
3000K

**220-240V ~ 50/60Hz MAX 4.2W**

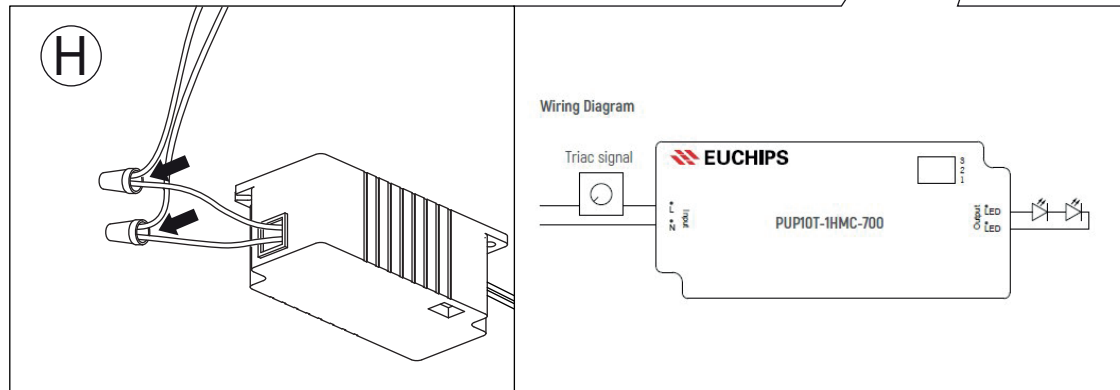
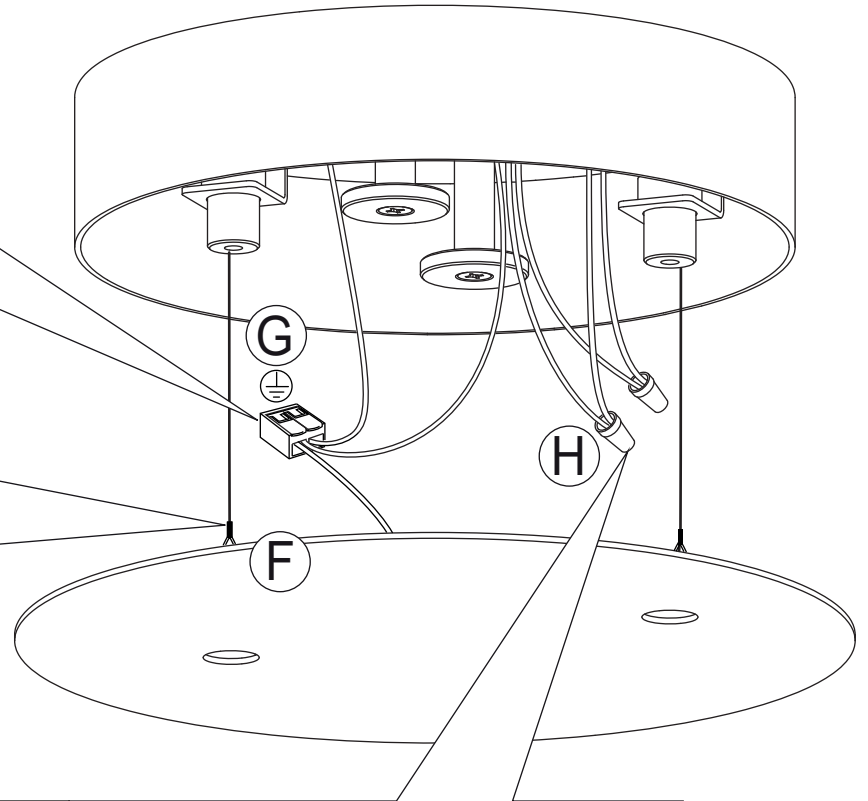
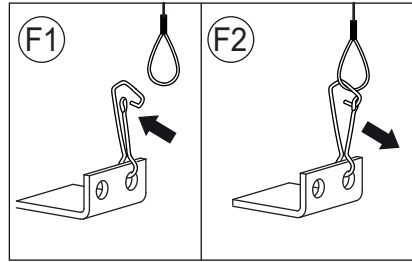
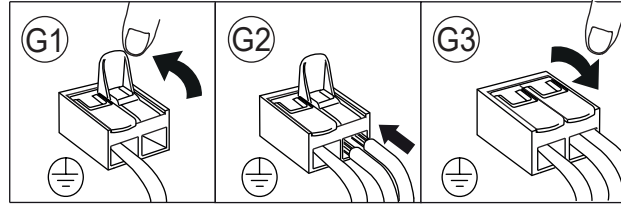
**700mA 2xMAX 2.1W**

**integrated LED**



5.6Kgf  
12.3Lbs

x2



# TERZANI

LA LUCE PENSATA

HARPE

CODE 0W025S -- -- AT  
3000K

220-240V ~ 50/60Hz MAX 4.2W

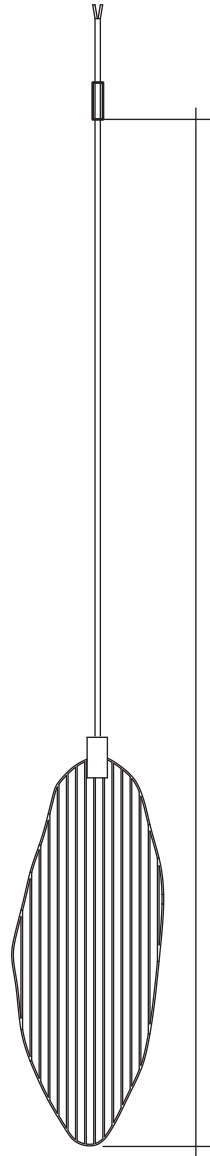
700mA 2xMAX 2.1W

integrated LED

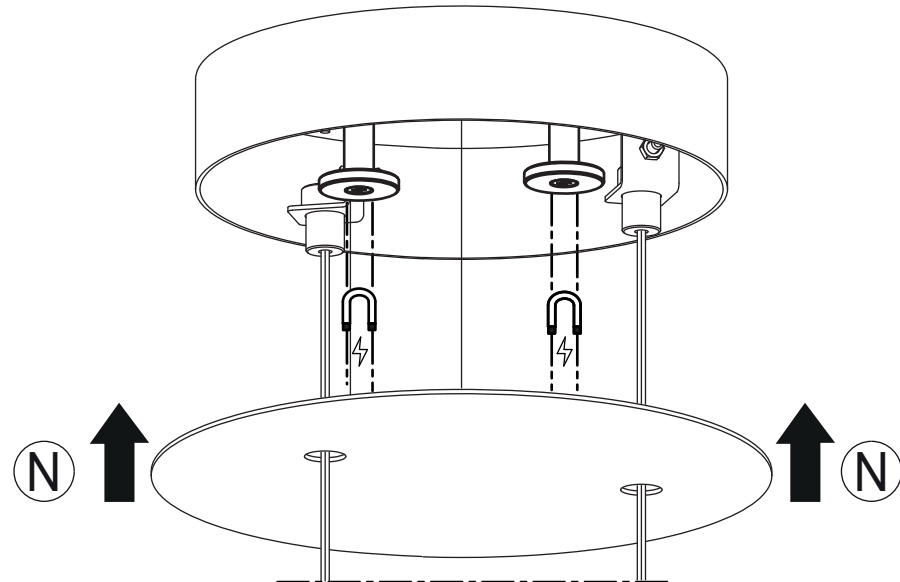
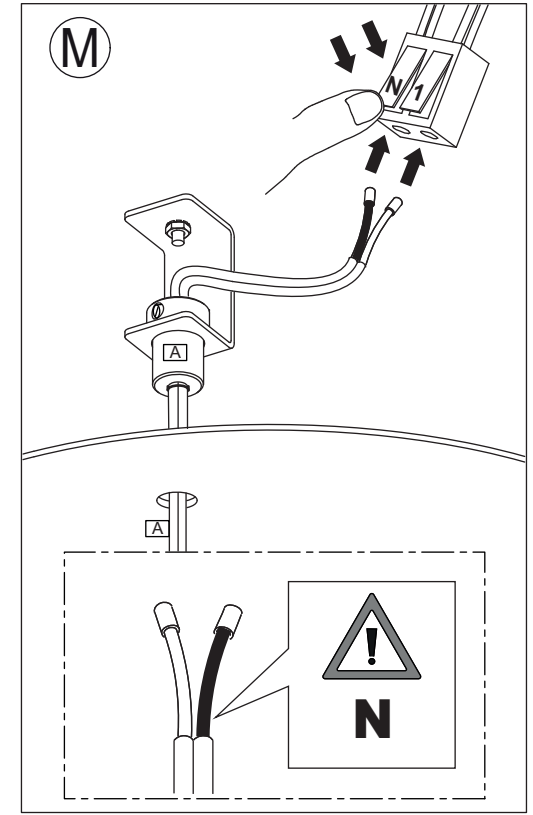
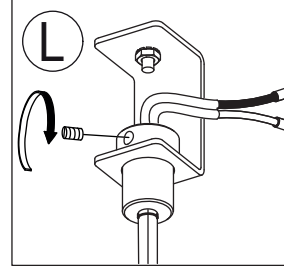
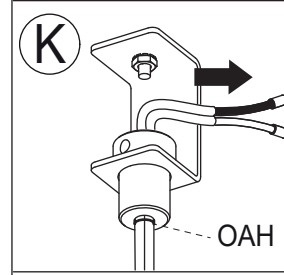
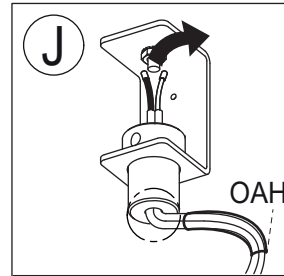
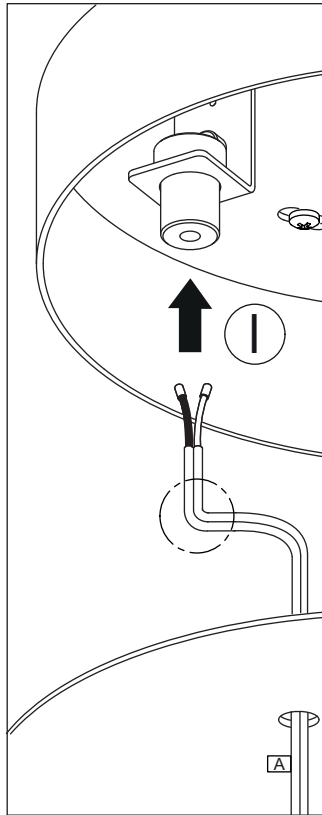


5.6Kgf  
12.3Lbs

x2



OAH



# TERZANI

LA LUCE PENSATA

HARPE

CODE 0W025S -- AT  
3000K

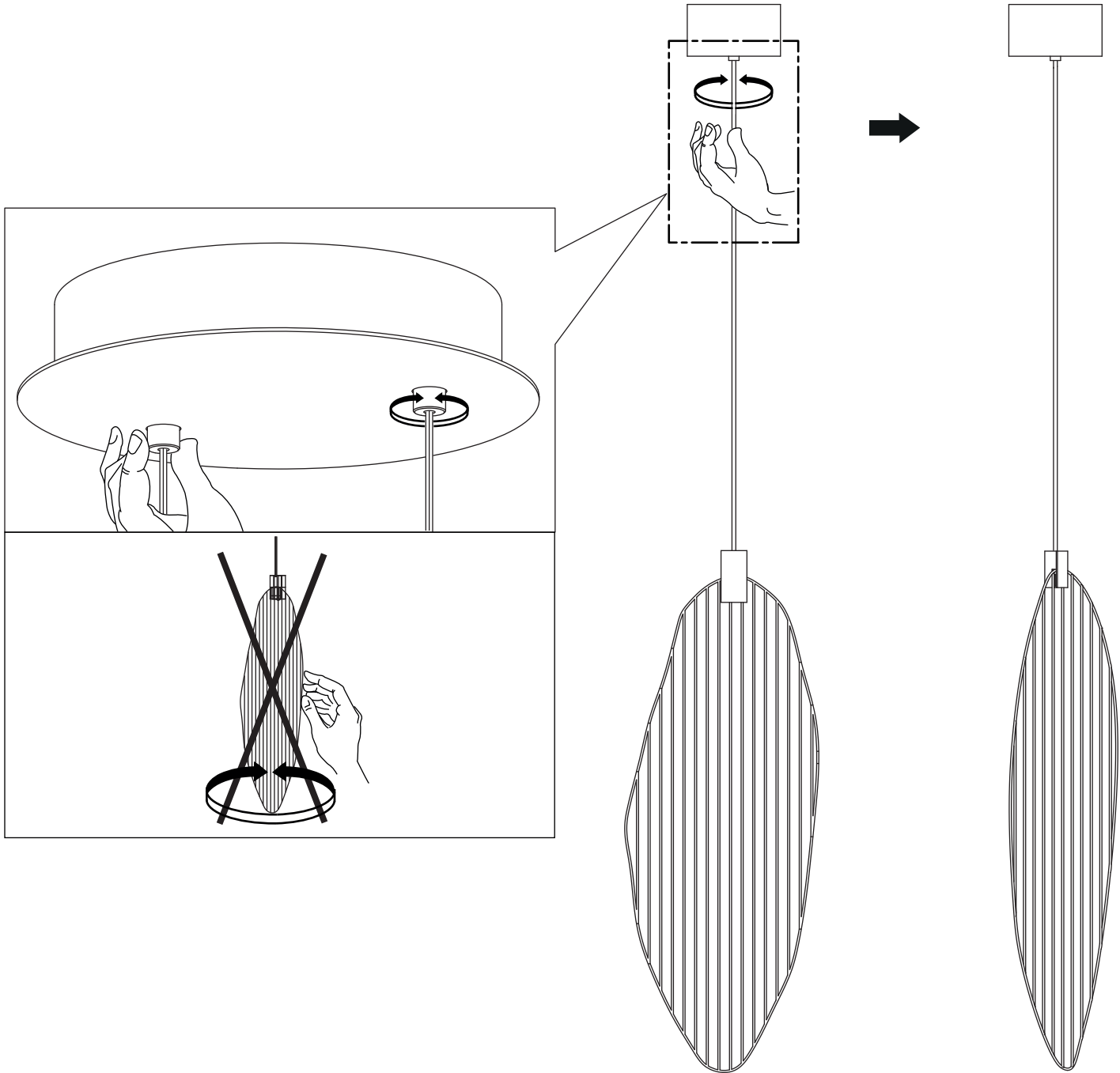
220-240V ~ 50/60Hz MAX 4.2W

700mA 2xMAX 2.1W

integrated LED

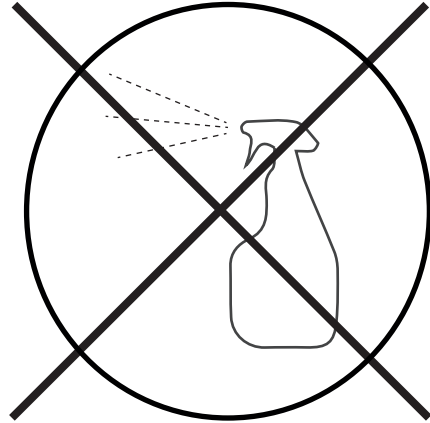


5.6Kgf  
12.3Lbs



# CLEANING INSTRUCTIONS

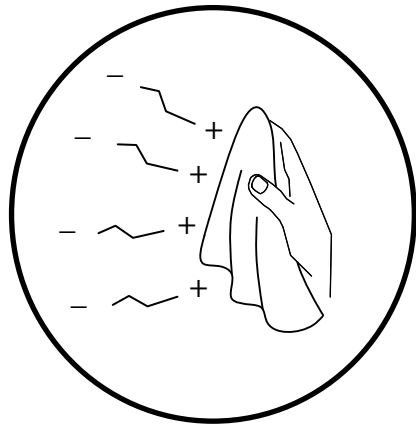
**NO**



**US** Do not use chemical products

**C** Ne pas utiliser des produits chimiques

**YES**



**US** Use dry electrostatic cloth

**C** Utiliser un chiffon électrostatique sec

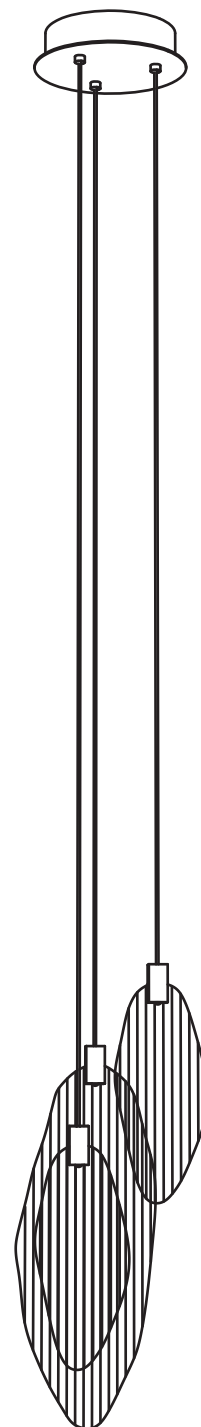


**US** Keep these instructions for maintenance | **C** Garder ces instructions pour l'entretien

**TERZANI**  
LA LUCE PENSATA

**Harpe 3 light pendant**

**0W034S-AT**





HARPE

CODE 0W034S -- -- AT  
3000K

220-240V ~ 50/60Hz MAX 6.3W

700mA 3xMAX 2.1W

integrated LED



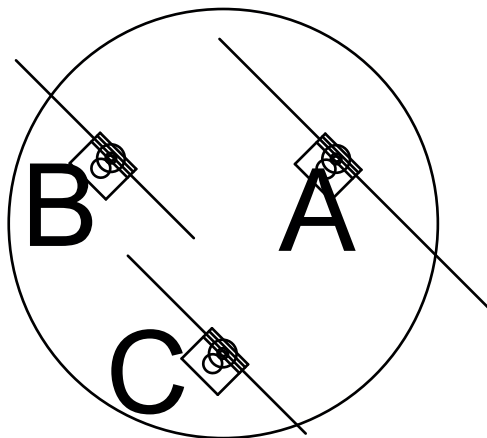
4.2Kgf  
9.3Lbs

x2



FOLLOW THE LETTERS TO PLACE THE PENDANTS IN THE CORRECT POSITION

BOTTOM VIEW:



FRONT VIEW





HARPE

CODE 0W034S -- -- AT  
3000K

220-240V ~ 50/60Hz MAX 6.3W

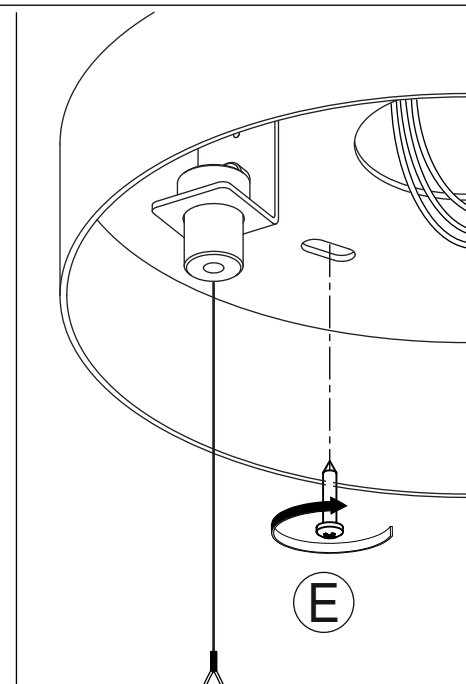
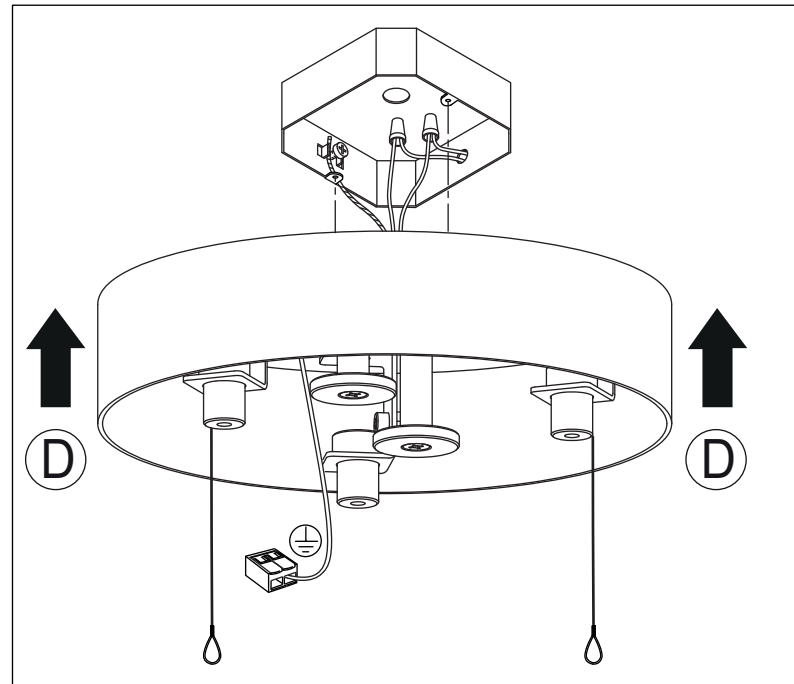
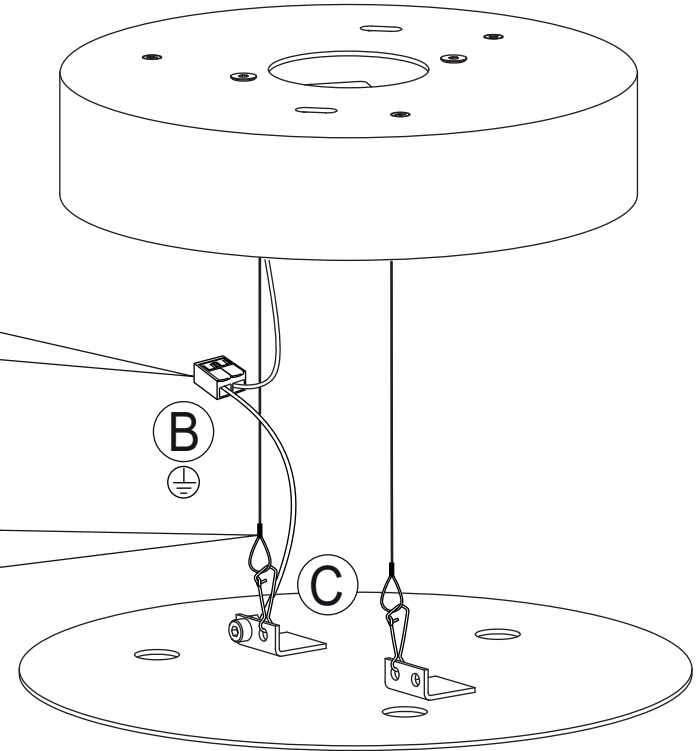
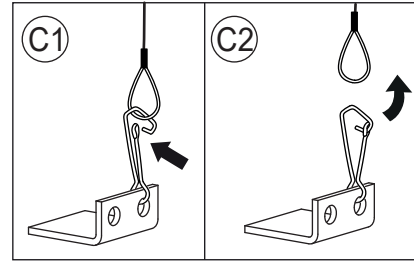
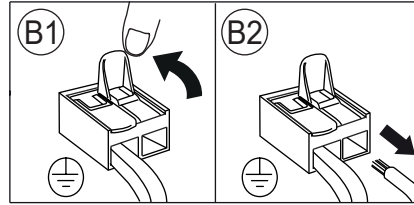
700mA 3xMAX 2.1W

integrated LED



4.2Kgf  
9.3Lbs

x2



# TERZANI

LA LUCE PENSATA

HARPE

CODE 0W034S -- -- AT  
3000K

220-240V ~ 50/60Hz MAX 6.3W

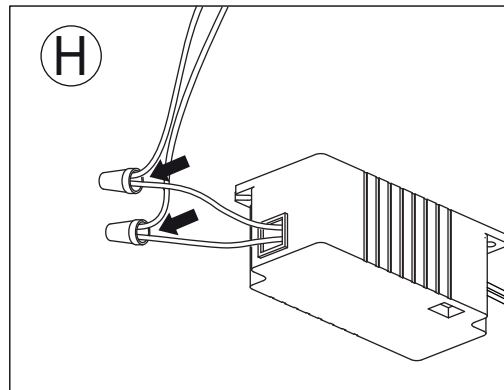
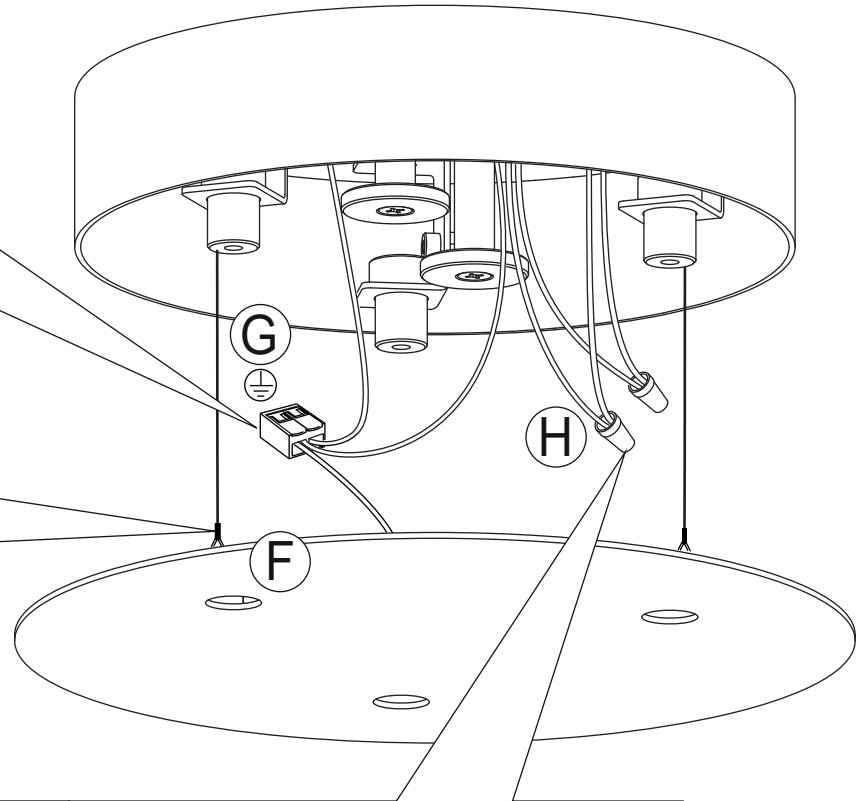
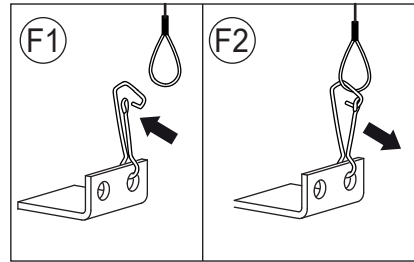
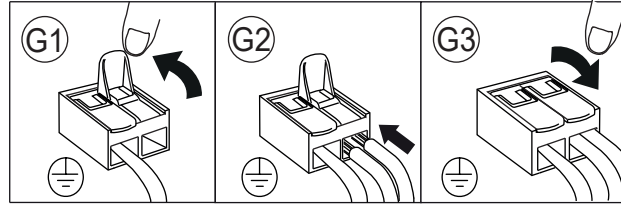
700mA 3xMAX 2.1W

integrated LED

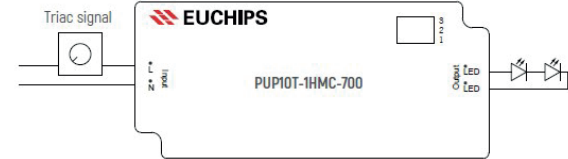


4.2Kgf  
9.3Lbs

x2



Wiring Diagram



# TERZANI

LA LUCE PENSATA

HARPE

CODE 0W034S -- -- AT  
3000K

220-240V ~ 50/60Hz MAX 6.3W

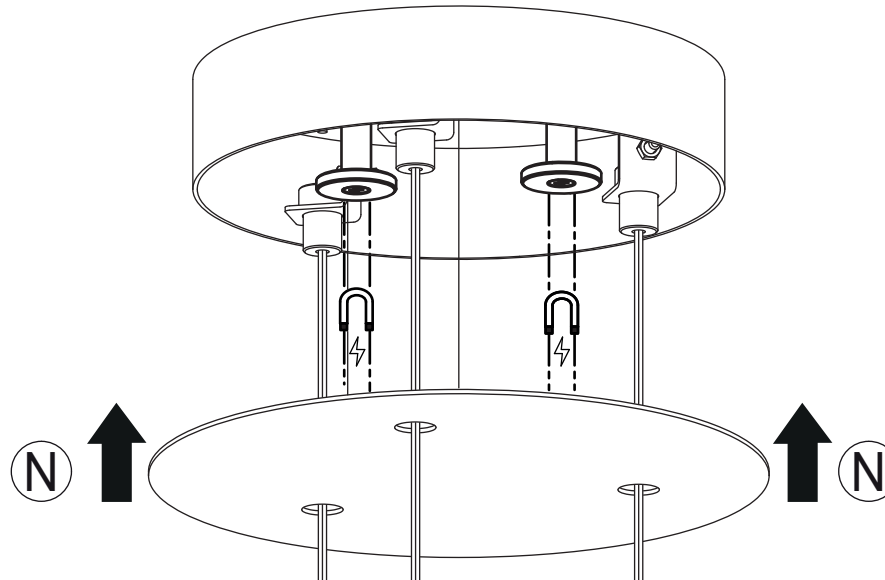
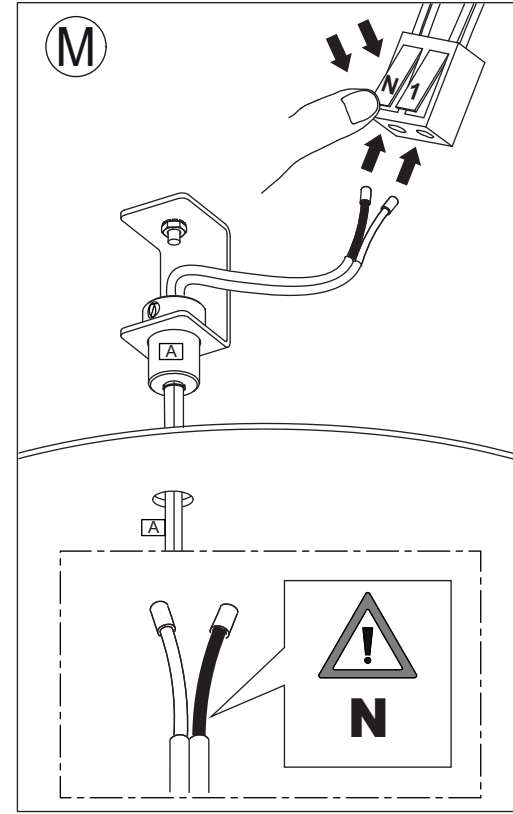
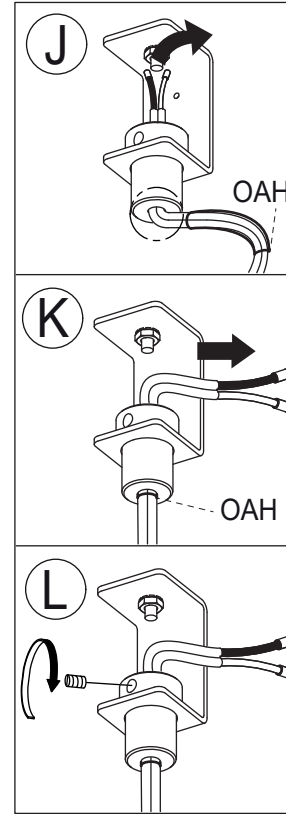
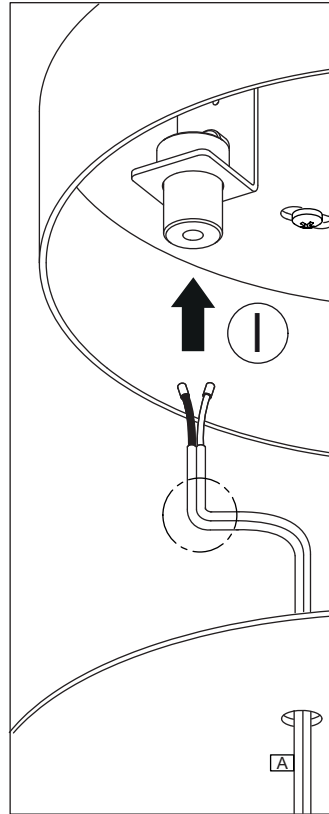
700mA 3xMAX 2.1W

integrated LED



4.2Kgf  
9.3Lbs

x2



# TERZANI

LA LUCE PENSATA

HARPE

CODE 0W034S -- AT  
3000K

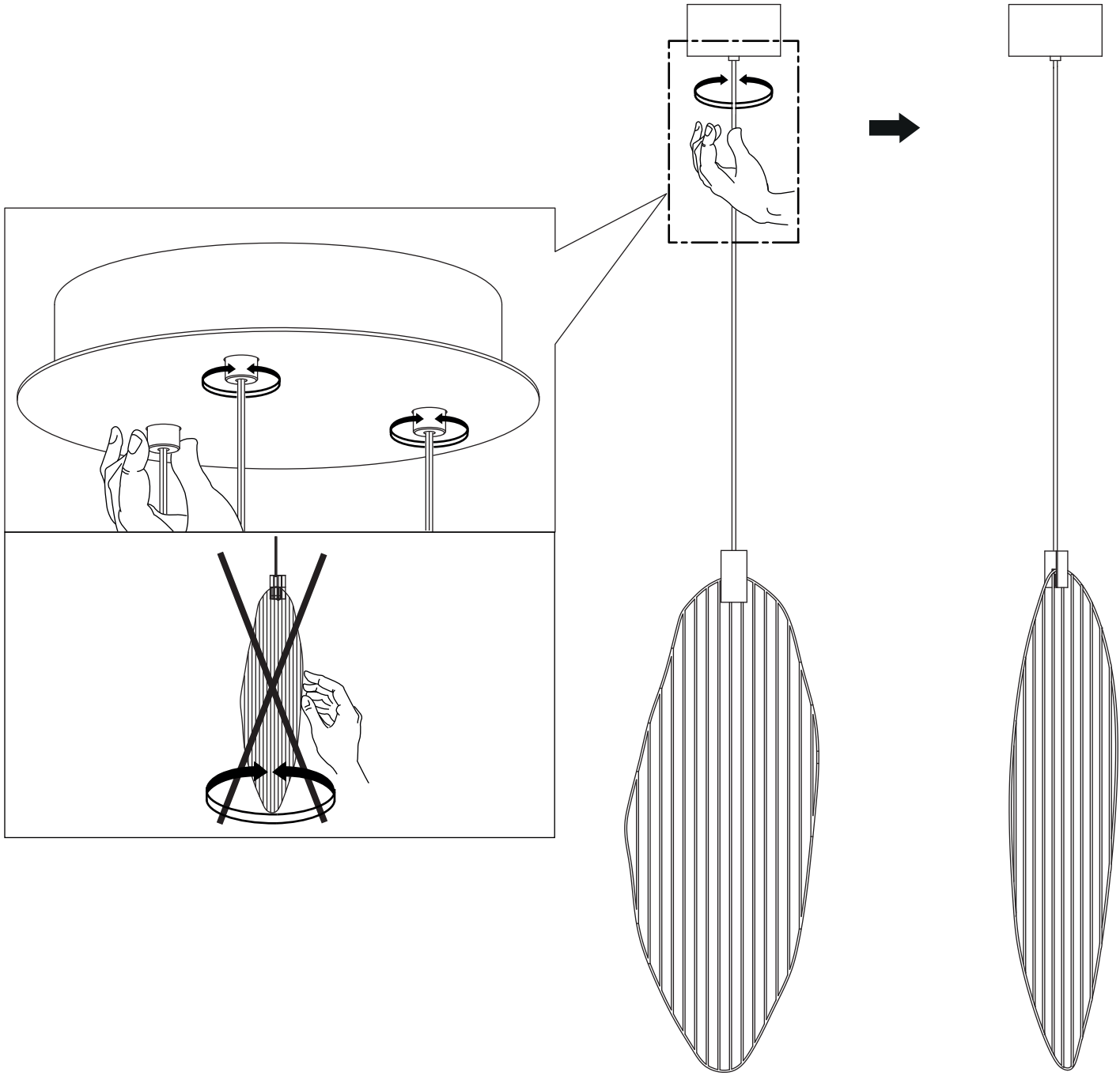
220-240V ~ 50/60Hz MAX 6.3W

700mA 3xMAX 2.1W

integrated LED

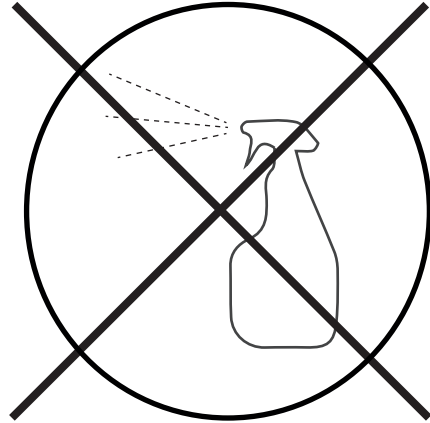


4.2Kgf  
9.3Lbs



# CLEANING INSTRUCTIONS

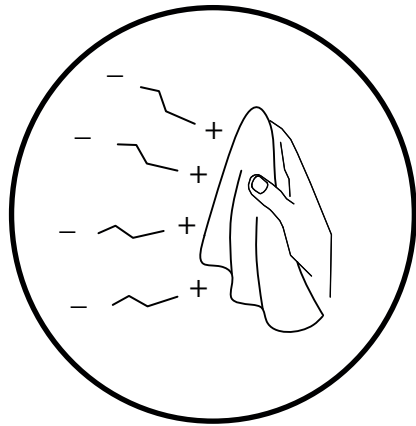
**NO**



**US** Do not use chemical products

**C** Ne pas utiliser des produits chimiques

**YES**



**US** Use dry electrostatic cloth

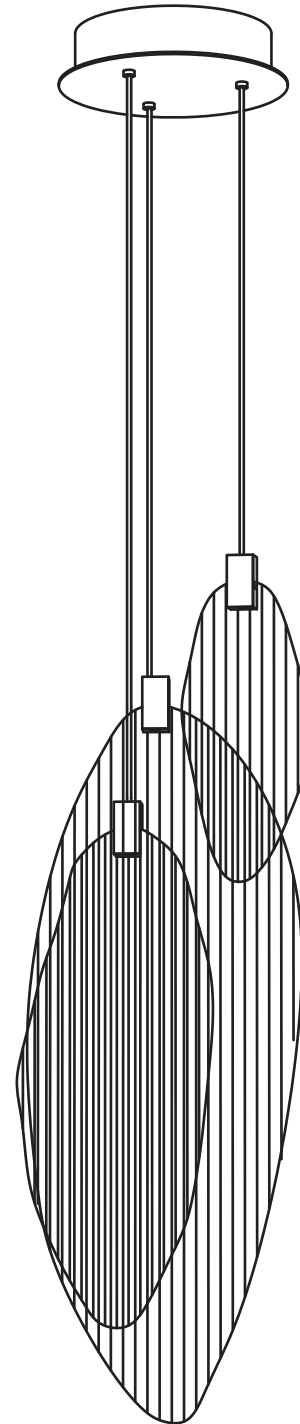
**C** Utiliser un chiffon électrostatique sec



**US** Keep these instructions for maintenance | **C** Garder ces instructions pour l'entretien

**TERZANI**  
LA LUCE PENSATA

**Harpe 3 light pendant**  
**0W037S-AT**





HARPE

CODE 0W037S -- -- AT  
3000K

220-240V ~ 50/60Hz MAX 6.3W

700mA 3xMAX 2.1W

integrated LED



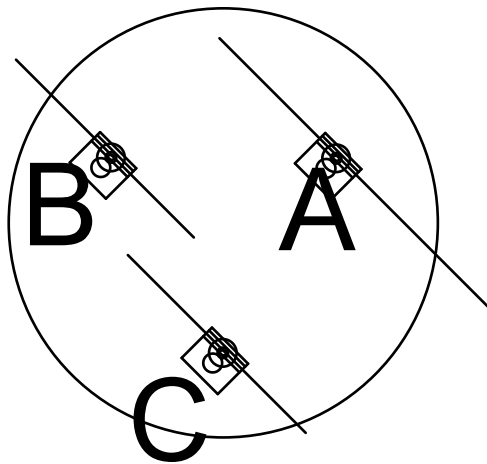
6Kgf  
13.2Lbs

x2

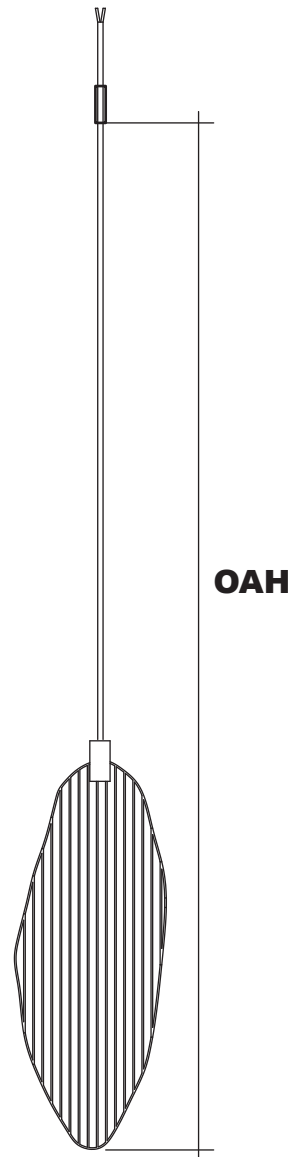


FOLLOW THE LETTERS TO PLACE THE PENDANTS IN THE CORRECT POSITION

BOTTOM VIEW:



FRONT VIEW



# TERZANI

LA LUCE PENSATA

HARPE

CODE 0W037S -- -- AT  
3000K

220-240V ~ 50/60Hz MAX 6.3W

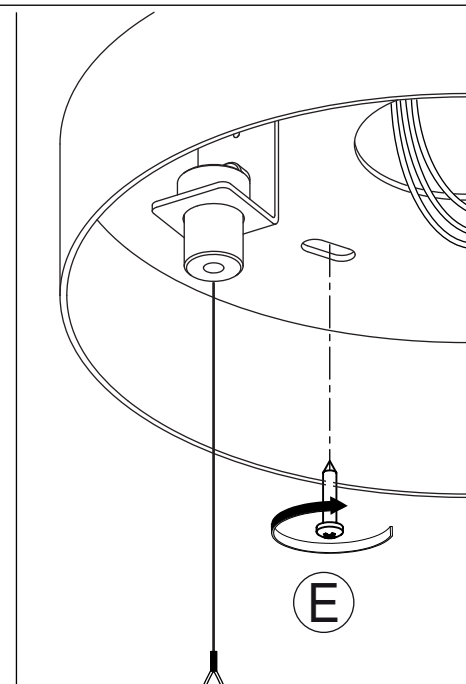
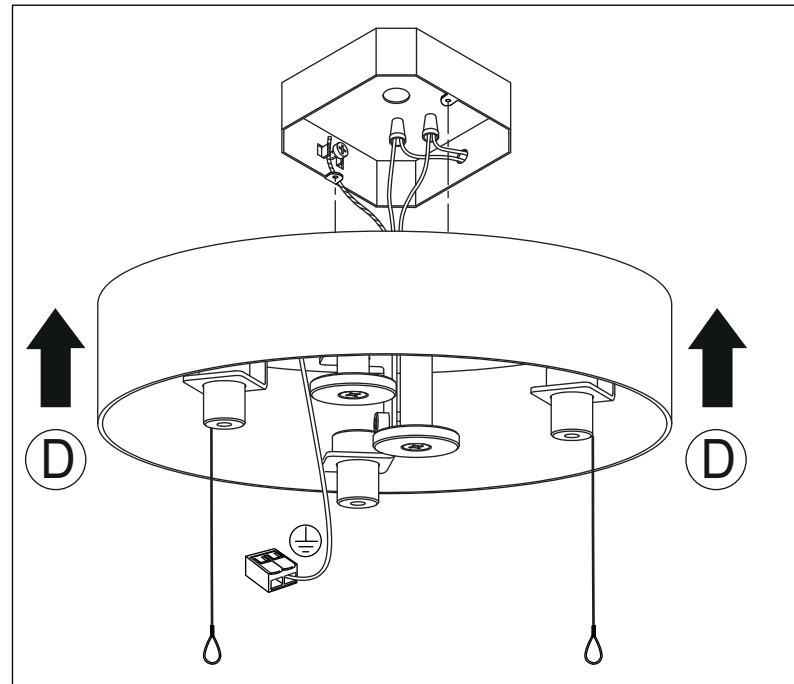
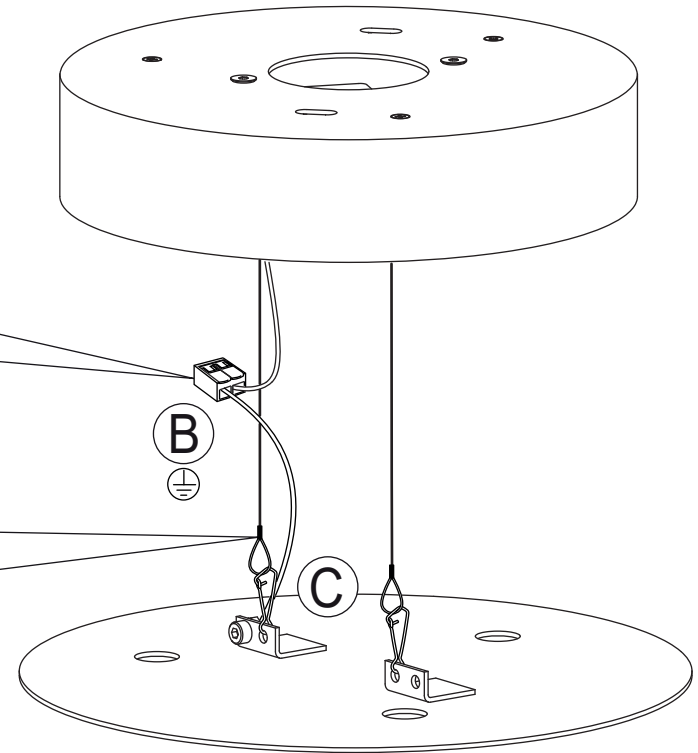
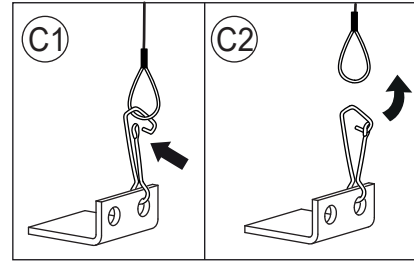
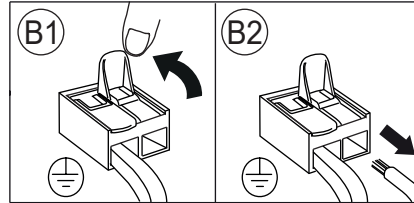
700mA 3xMAX 2.1W

integrated LED



6Kgf  
13.2Lbs

x2



# TERZANI

LA LUCE PENSATA

HARPE

CODE 0W037S -- -- AT  
3000K

220-240V ~ 50/60Hz MAX 6.3W

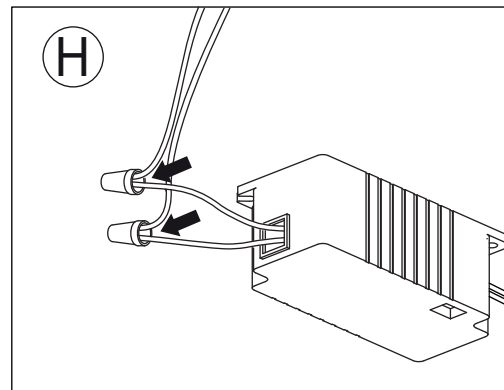
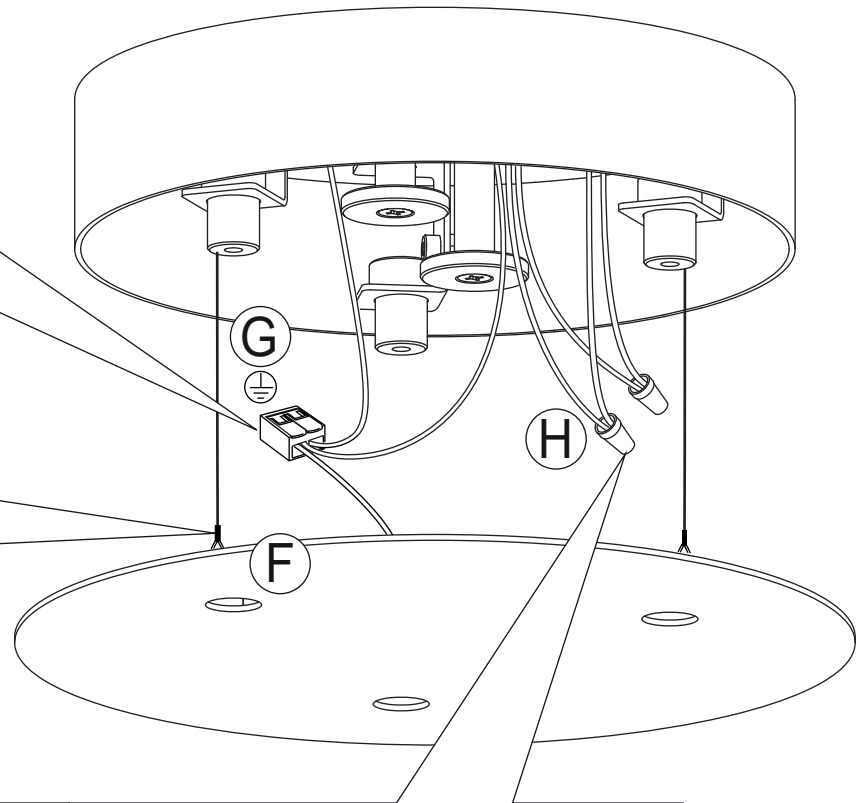
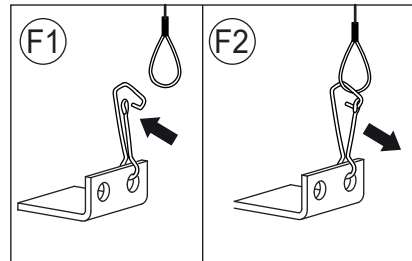
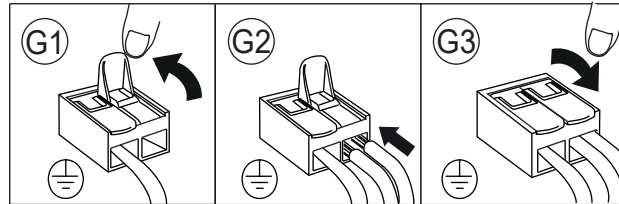
700mA 3xMAX 2.1W

integrated LED

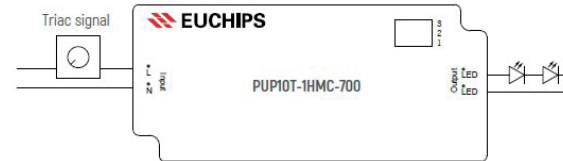


6Kgf  
13.2Lbs

x2



Wiring Diagram



# TERZANI

LA LUCE PENSATA

HARPE

CODE 0W037S -- -- AT  
3000K

220-240V ~ 50/60Hz MAX 6.3W

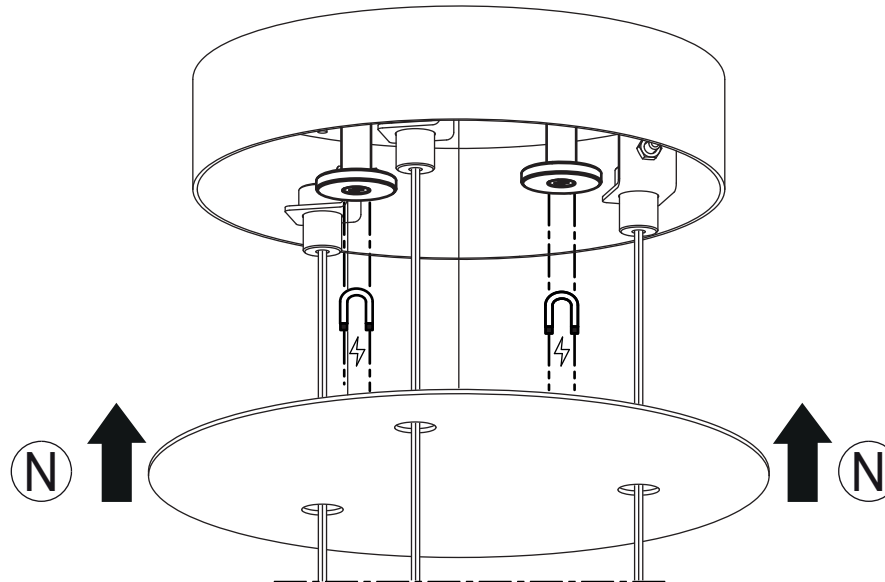
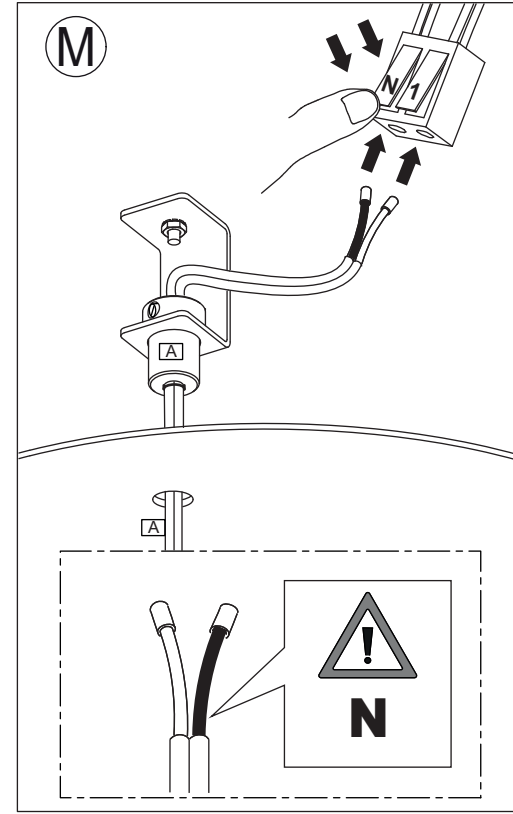
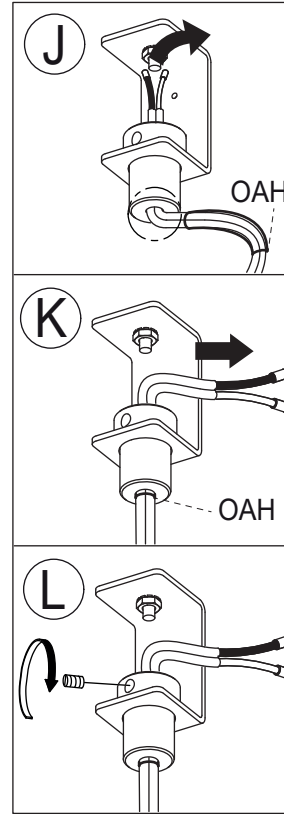
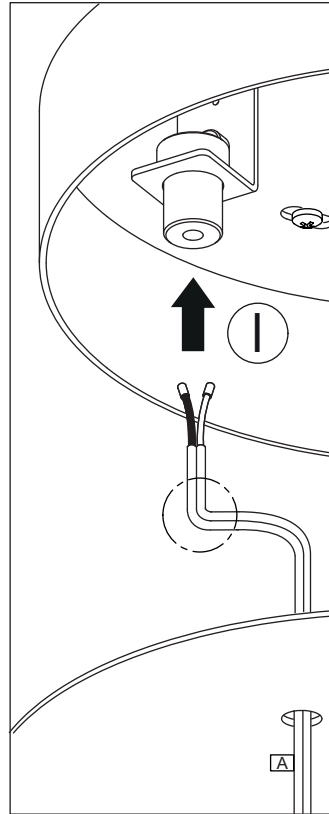
700mA 3xMAX 2.1W

integrated LED



6Kgf  
13.2Lbs

x2



**TERZANI**  
LA LUCE PENSATA

**HARPE**

**CODE 0W037S -- AT**  
**3000K**

**220-240V ~ 50/60Hz MAX 6.3W**

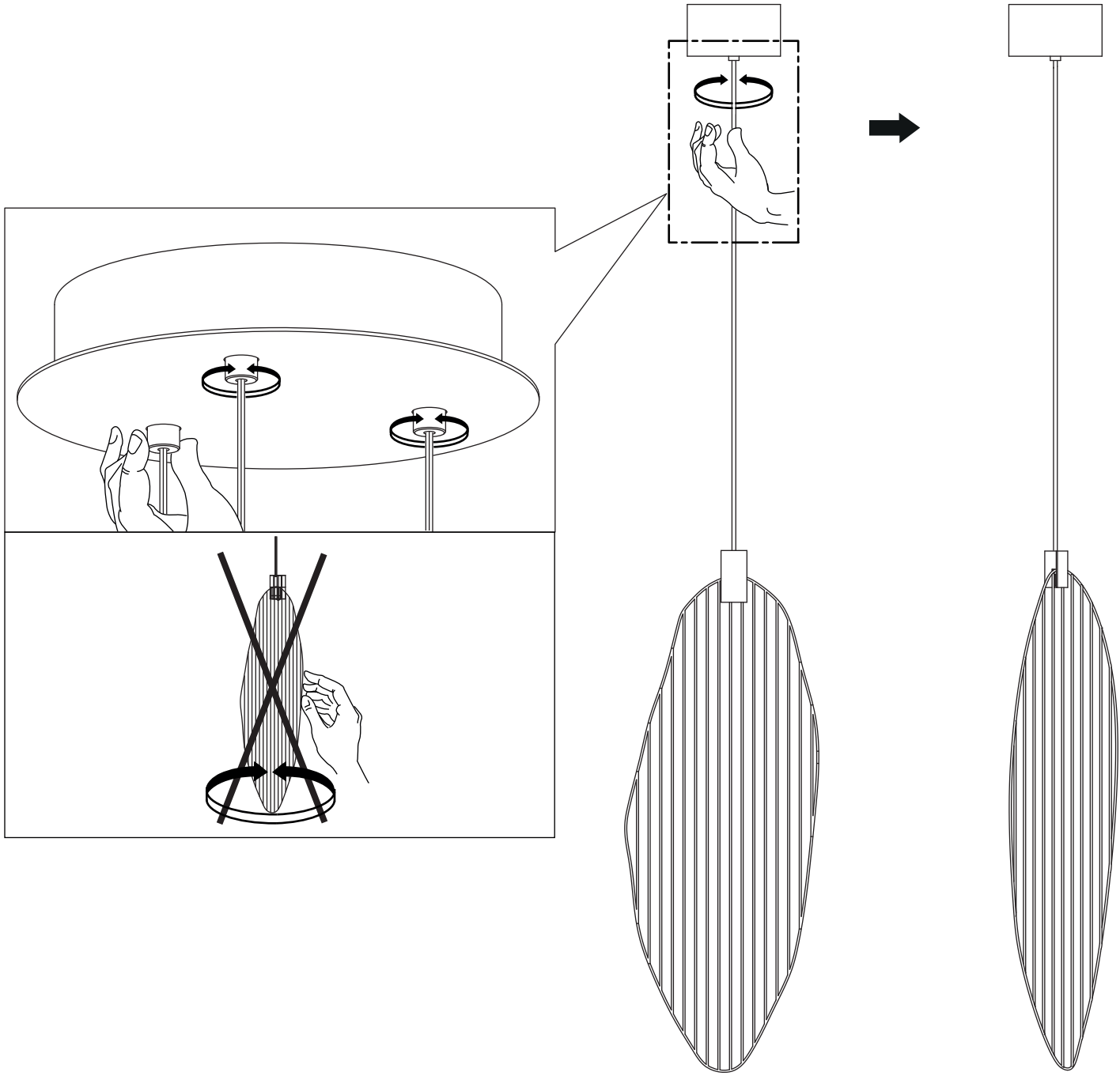
**700mA 3xMAX 2.1W**

**integrated LED**



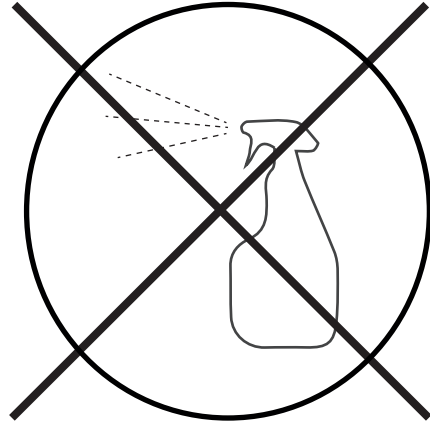
 **6Kgf**  
**13.2Lbs**

 **x2**



# CLEANING INSTRUCTIONS

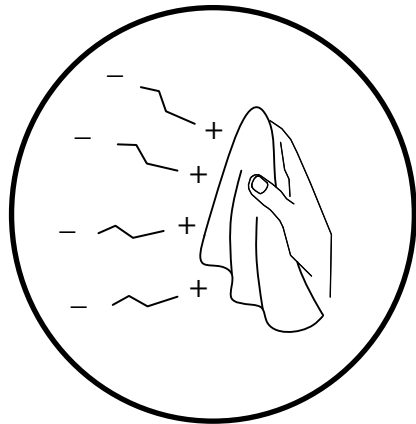
**NO**



**US** Do not use chemical products

**C** Ne pas utiliser des produits chimiques

**YES**



**US** Use dry electrostatic cloth

**C** Utiliser un chiffon électrostatique sec



**US** Keep these instructions for maintenance | **C** Garder ces instructions pour l'entretien