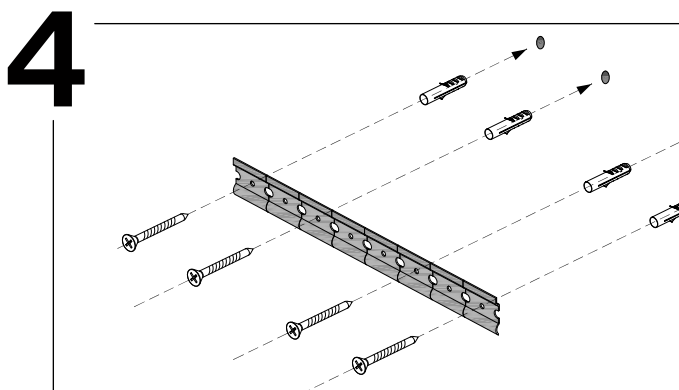
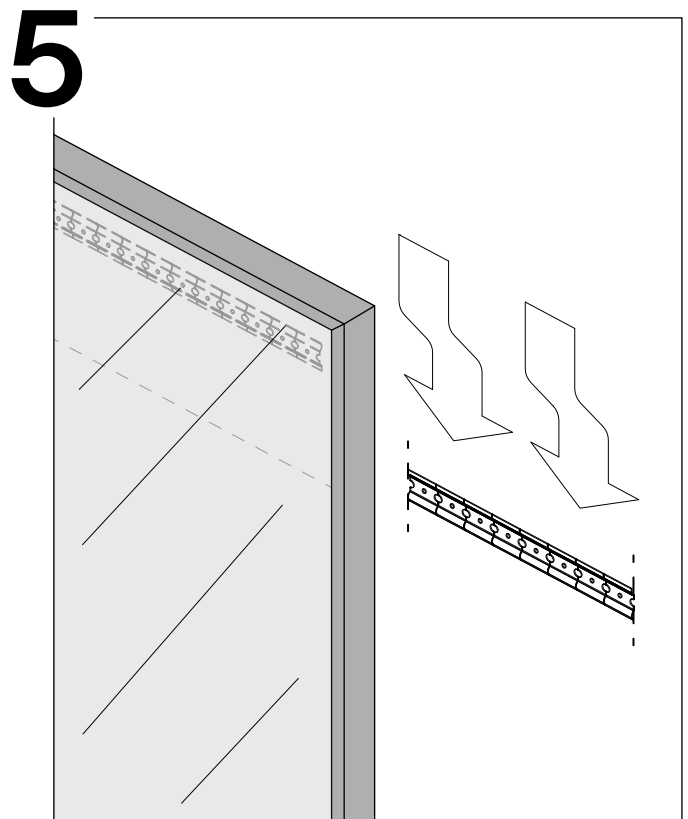
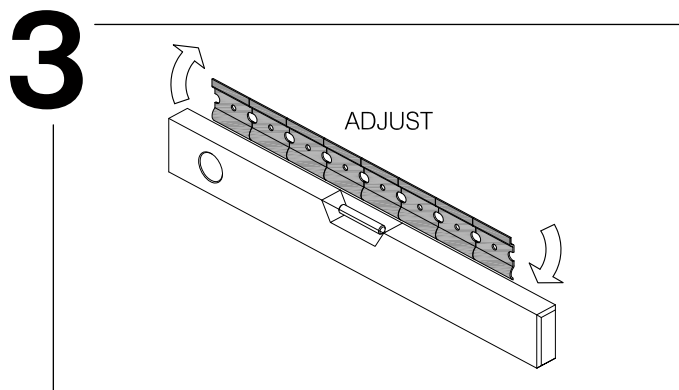
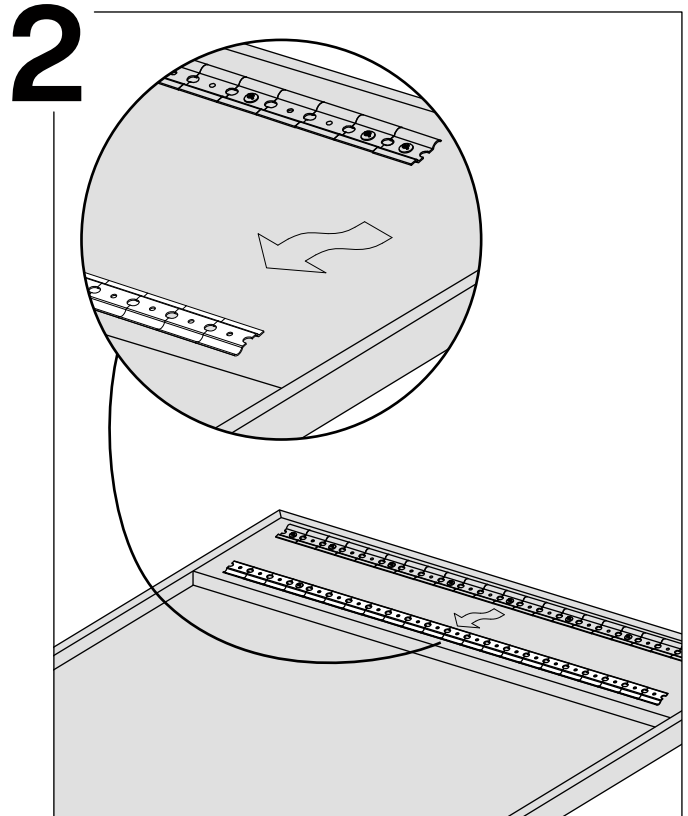
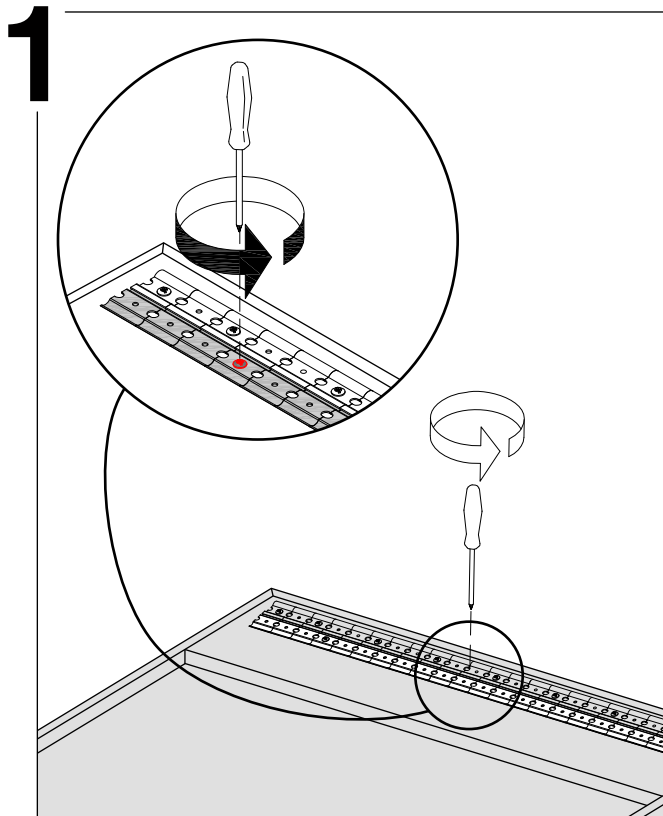


# FOUR SEASONS 180x100

porada

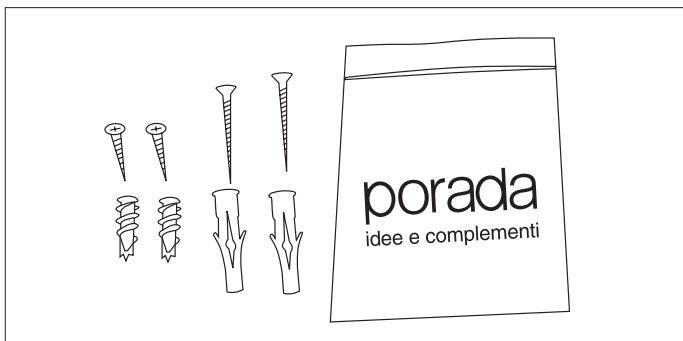
Design: Opera Design

Istruzioni di montaggio  
Assembly-instruction

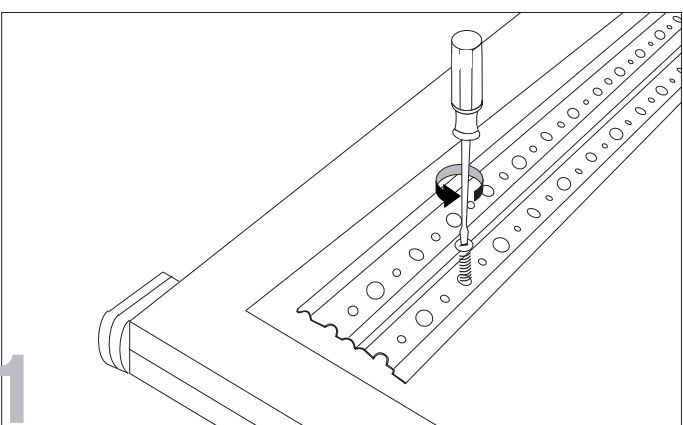


## FOUR SEASONS RETTANGOLARE

Design: Studio Opera work in progress

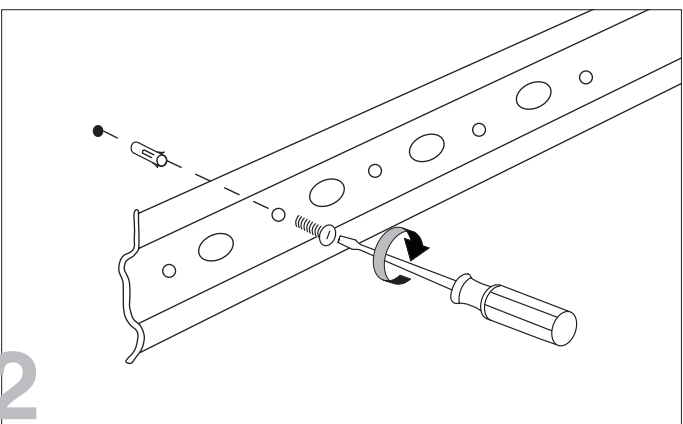


Parts listing for the FOUR SEASONS mirror: 2 screws + 2 dowels for concrete walls  
2 screws + 2 dowels This type of dowel needs to be fixed directly into the wall without pre-drilling. Wall brackets enough to reach two studs.



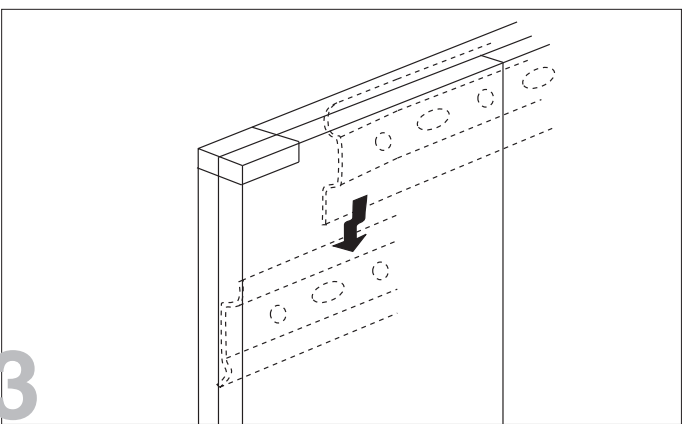
Rimoviere la placchetta fissata per il trasporto.

Unscrew the lower racket from the back of the mirror. The lower bracket is the one furthest from the edge of the mirror.



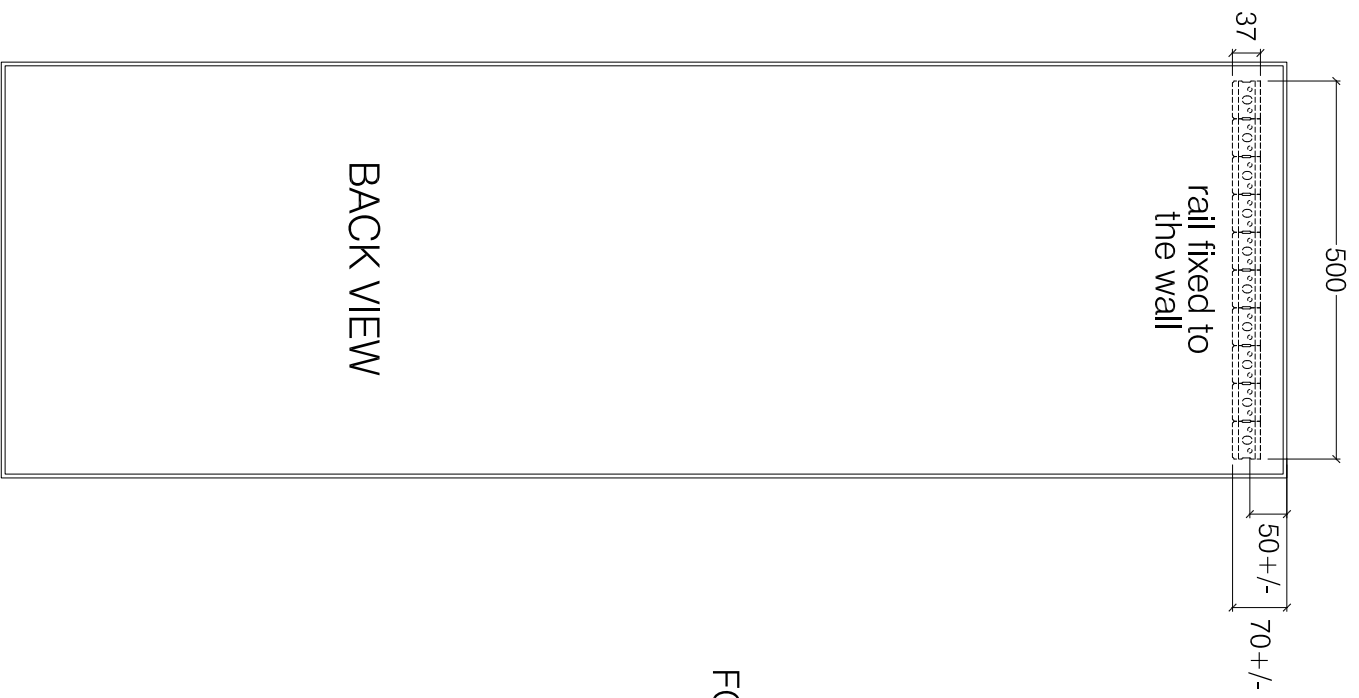
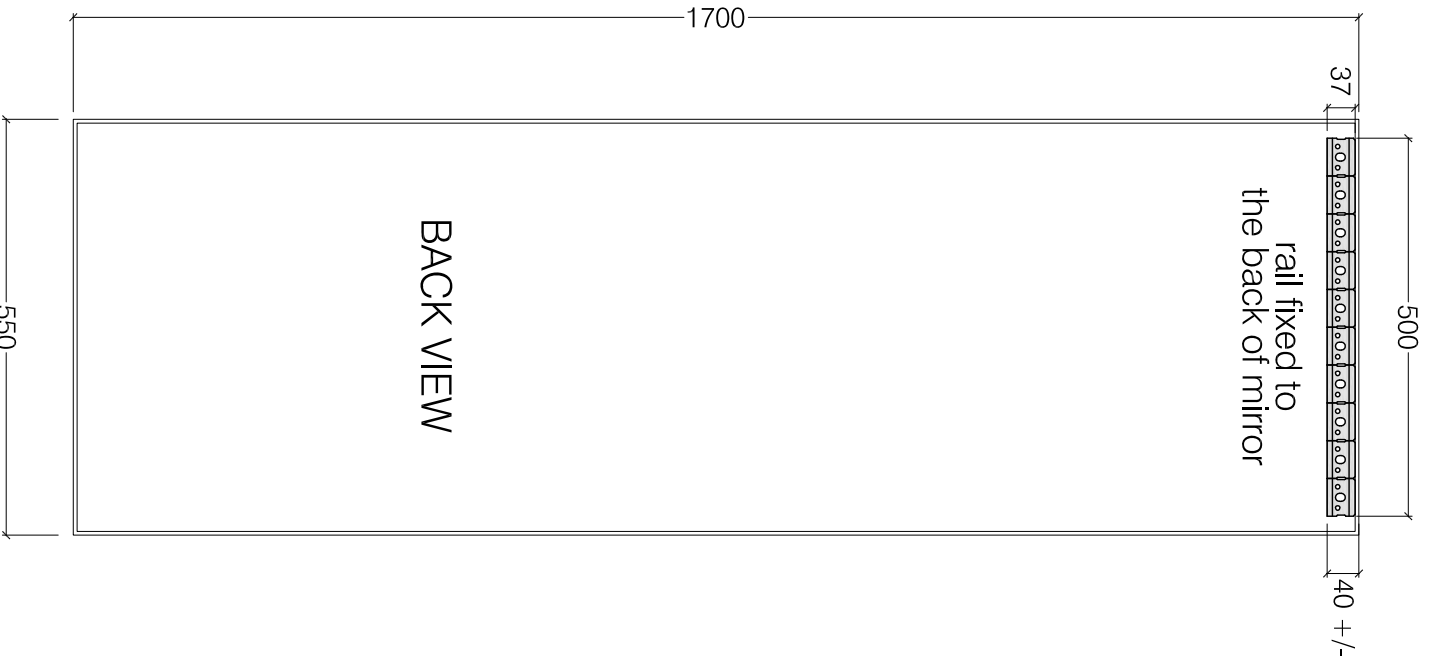
Fissare la placchetta rimossa al muro

After determining where you wish to fix the mirror, get a level measurement and attach the metal bracket to the wall. It is required that the bracket is must be attached to at least one stud, preferably two through the dowels we supply making sure that they are suitable for the type of wall.



Appendere lo specchio assicurandosi di incastrare le due placchette.

Hang the mirror making sure of fixing the two metal brackets. The one fixed to the wall has to meet the one fixed on the back of the mirror



FOUR SEASONS  
rettangolare  
*rails position*