

# Core, eruption of light.

design Christian Lava  
terzani.com

**TERZANI**  
LA LUCE PENSATA



## Product Name

Core  
pendant light

## Materials

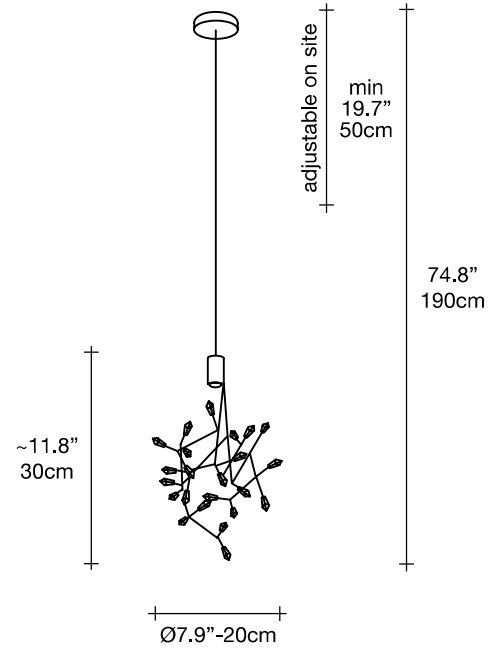
brass



## Finishes | Code

-  nickel  
0P22S E7 A9
-  black nickel  
0P22S E9 A9
-  gold  
0P22S L6 A9


## Body



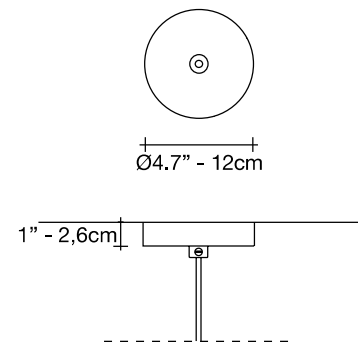
## Integrated Led

120V ~ 50/60Hz

 LED integrated  
2,1W 240lm 3000K  
or optional 2700K

 not dimmable

## Canopy



Core is reminiscent of the natural energy at the heart of our world. Like bright lava seeping through the earth's crust, vibrant spheres of faceted crystal break through the iron surface of this pendant. Forcing light to pass through this metal structure results in a powerful, vibrant exchange of forces light and shadow erupt across the room, as the LED light pours through, as the light itself emits an organic radiance. Design Christian Lava.