

Calle, perennial *elegance.*

design Draw
terzani.com



Product Name


Calle
pendant light

Materials

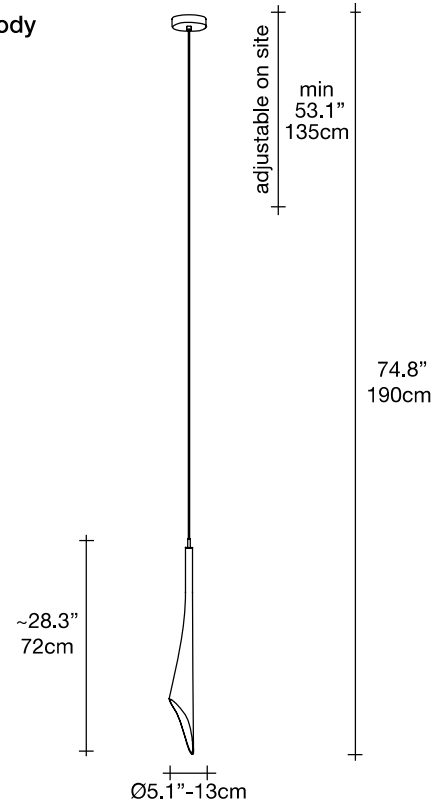
clear crystal (24% lead)



Finishes | Code


 clear
OT01S E8 A9

Body



Recommended Light

120V ~ 50/60Hz

 XENON BI-PIN T3
20W G4 12V

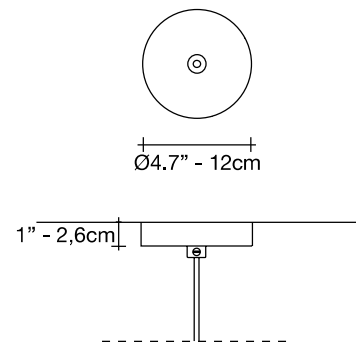
or

 LED
2W G4 12V

dimmable with

 IGBT
TRIAC

Canopy | white



At Terzani, we spend countless days searching the globe for talented new designers, but sometimes they find us. Such is the case with the young designers Luca Martorano and Mattia Albicini who approached us with the design for Calle, a fantastic new light we instantly fell in love with. It showcases our skill at crafting crystal to take the material to an exciting, modern place. Luca and Mattia worked with our craftsmen to create a slender inverted flute of 24% lead crystal that, like the calla lily it mimics, can be grouped into stunning bouquets of light. Design Luca Martorano and Mattia Albicini.